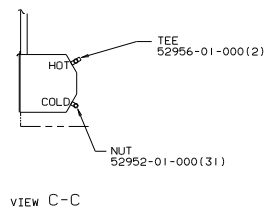
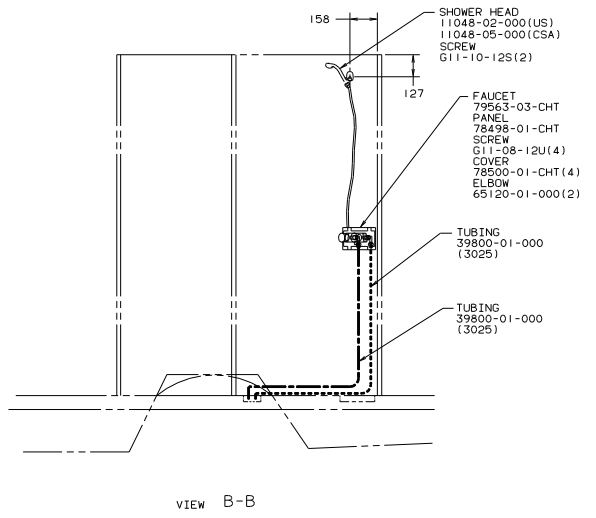
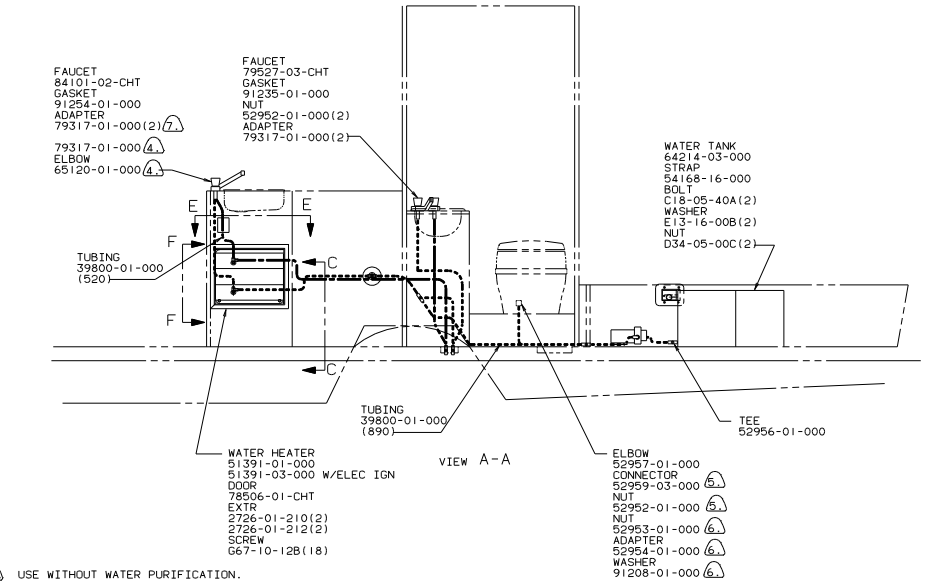
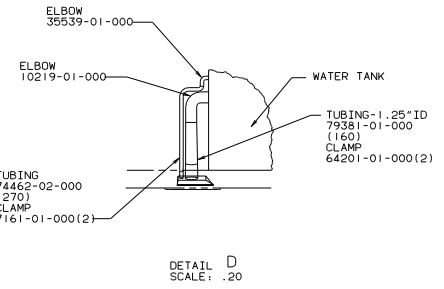
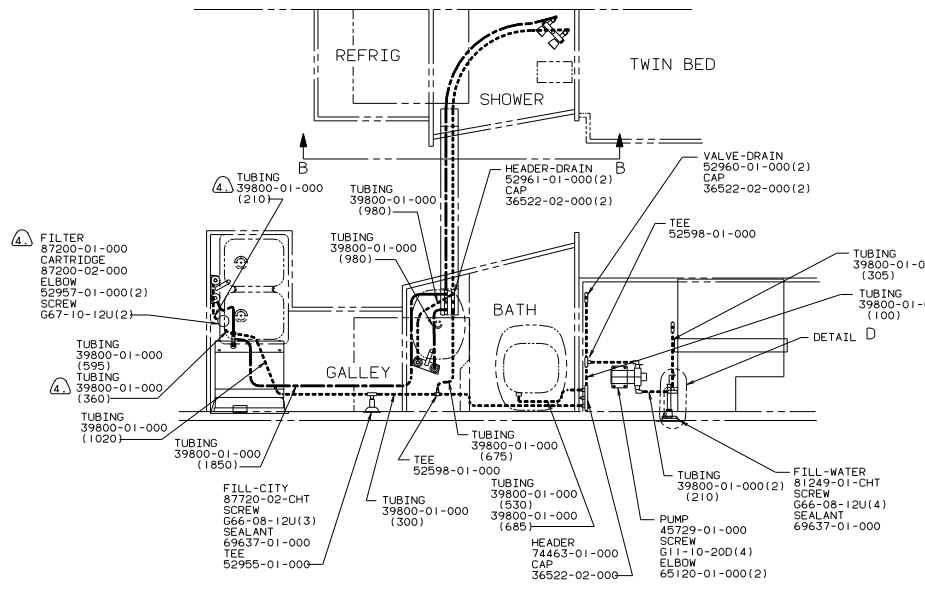


- Ⓐ VENT PIPE MUST PROJECT 5' MINIMUM TO 64 MAXIMUM ABOVE ROOF FOR PROPER FIT AND FUNCTION.
- Ⓒ SEE DWG 61607-01-000 FOR INSTALLATION OF GROMMET.

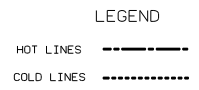
4. ALL EXTERIOR OPENINGS AROUND PIPE TO BE SEALED WITH 69637-01-000.
3. ALL PIPE AND FITTINGS TO BE ASSEMBLED WITH SOLVENT 4020-01-000.
2. SLOPE OF TRAP ARM MUST BE 6 PER 305.
1. SLOPE OF HORIZONTAL PIPING TO BE 6 PER 305.

NOTES:

WINNAPCO		91 W/1F427RT
DATE	UNSPECIFIED TOLERANCES ARE:	MATERIAL
DRN	WHOLE DIM (IN)	1/8
FILE	ONE-PLACE (IN.X1)	1/16
FILE	TWO-PLACE (IN.XXX)	1/32
FILE	ANGLE	1/64
FILE	THIRD ANGLE PROJECTION	
DATE	SCALE	1" = 1'-0"
LANE 4 GEN I	TITLE	DRAINAGE SYSTEM INSTL
DRN	ALL DIMENSIONS ARE IN MILLIMETERS	SHEET 1 OF 1



- ⑦ USE WITHOUT WATER PURIFICATION.
- ⑥ USE WITH AQUA IV TOILET.
- ⑤ USE WITH AQUA MAGIC TOILET.
- ④ USE WITH WATER PURIFICATION.
- ③ ALL TUBING TO BE SECURED AT 1200 INTERVALS MAX WITH CLAMP 10495-01-000 AND SCREW 667-10-12B.
2. TUBING TO BE INSTALLED WITH SUFFICIENT SLOPE TO PROVIDE DRAINAGE TO NEAREST VALVE.
1. PLASTIC FITTINGS TO BE SEALED WITH SEALANT 84456-01-000.



WINNERAGO '88 W/IF427RT

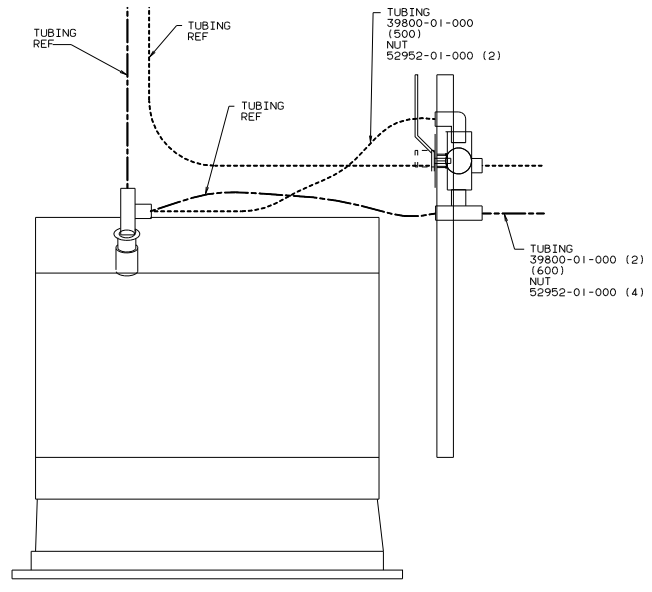
QTY	UNSPECIFIED TOLERANCES ARE:	MATERIAL
	WHOLE DIM (IN)	
	ONE-PLACE (IN.X1)	
	TWO-PLACE (IN.XXX)	
	ANGLE	
	THIRD ANGLE PROJECTION	

LAND # 427R18 TITLE: WATER SYSTEM INSTL

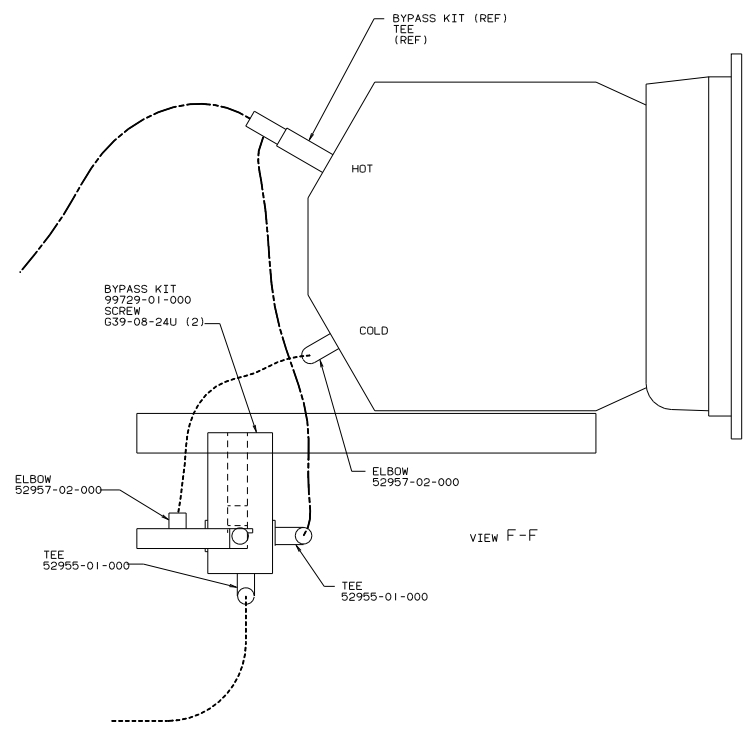
DIA # SCALE: 1:10 300 NET SCALE DRAWING

ALL DIMENSIONS ARE IN MILLIMETERS SHEET 1 OF 2

WINNERS WATER SYSTEM INSTL 92381



VIEW E-E



VIEW F-F

WATER HEATER
BYPASS OPTION

90 W/IF427RT

TITLE: WATER SYSTEM INSTL		REV	DATE
30 NET SCALE DRAWING	SHEET 2 OF 2	1E	NO
		92381	