

- ⓐ VENT PIPE MUST PROJECT 51" MINIMUM TO 64" MAXIMUM ABOVE ROOF FOR PROPER FIT AND FUNCTION.
- ⓑ SEE DWG 61607-01-000 FOR INSTALLATION OF GROMMET.
- ALL EXTERIOR OPENINGS AROUND PIPE TO BE SEALED WITH 69637-01-000.
 - ALL PIPE AND FITTINGS TO BE ASSEMBLED WITH SOLVENT 4020-01-000.
 - SLOPE OF TRAP ARM MUST BE 6 PER 305.
 - SLOPE OF HORIZONTAL PIPING TO BE 6 PER 305.

WINNEMAGO '90 W/IF327RT

DATE	UNSPECIFIED TOLERANCES ARE:	MATERIAL
CHNG	WHOLE DIM (IN)	F
REV	ONE-PLACE (IN, IN)	F
DATE	TWO-PLACE (IN, IN)	F
CHNG	ANGLE	F
DATE	THIRD ANGLE PROJECTION	F
CHNG		F

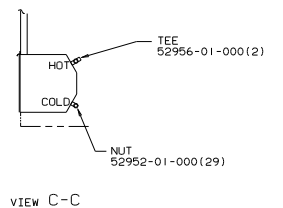
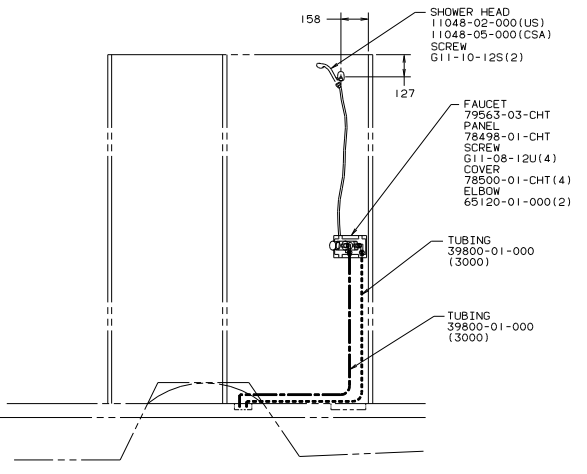
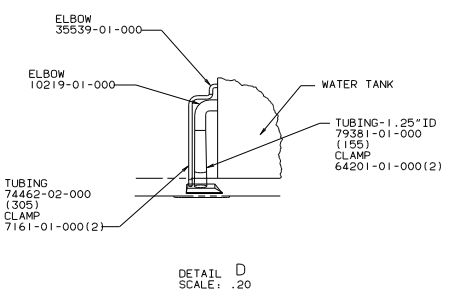
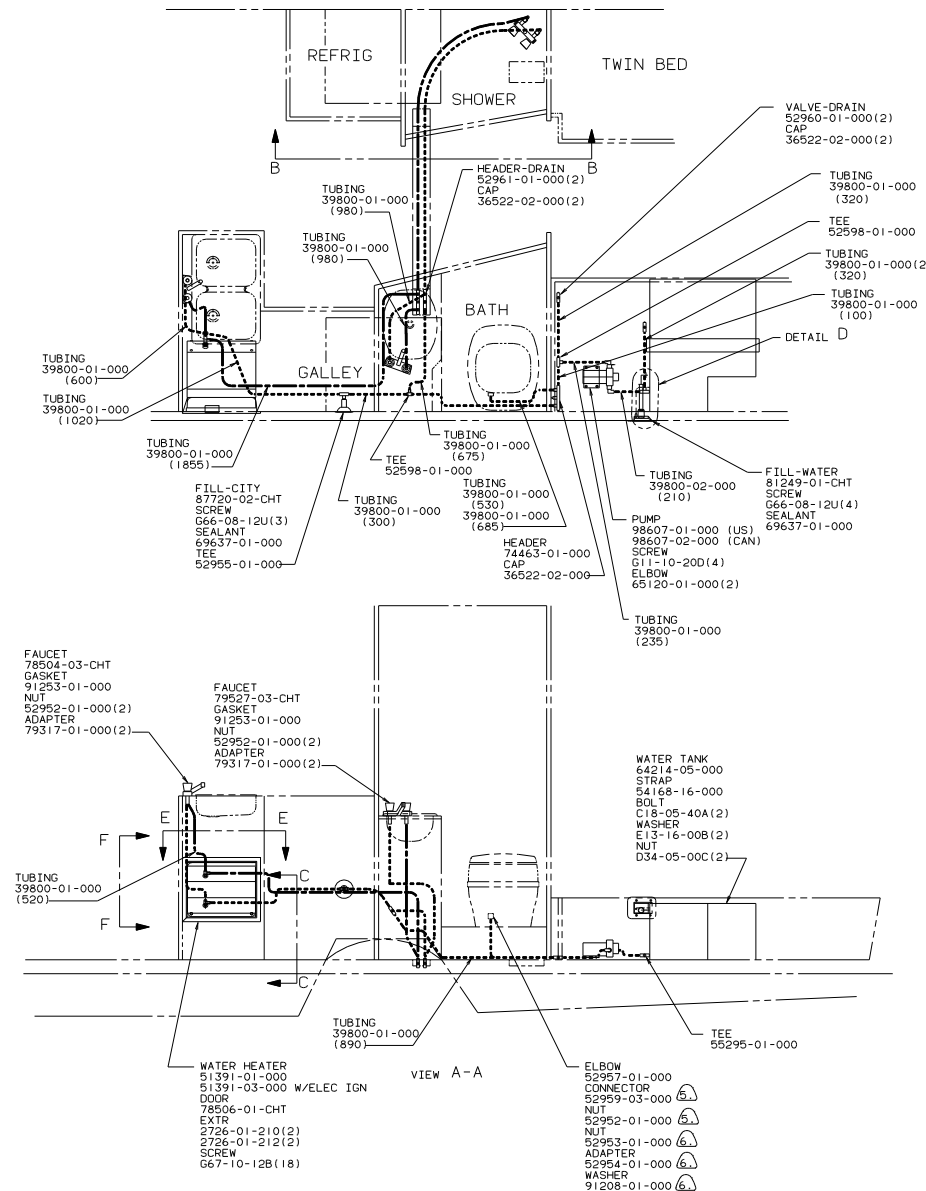
LANE NO. _____ TITLE: **DRAINAGE SYSTEM INSTL**

DWG NO. 96182

SCALE: 1:10

ALL DIMENSIONS ARE IN MILLIMETERS

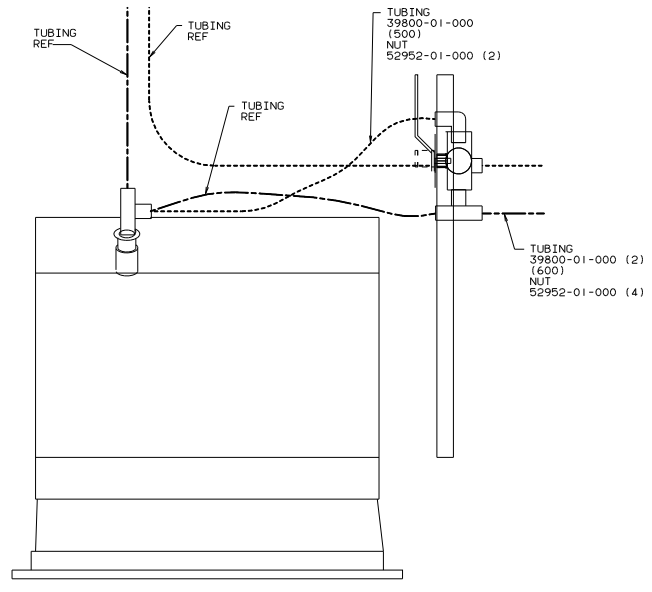
REF: 92380



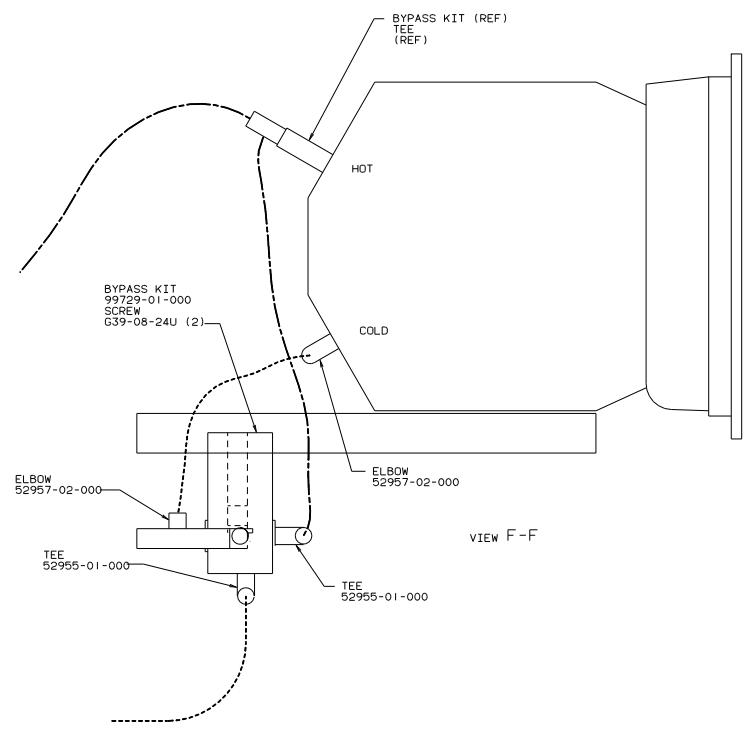
LEGEND
 HOT LINES - - - - -
 COLD LINES - · - · - ·

- NOTES:
 (6) USE WITH AQUA IV TOILET.
 (5) USE WITH AQUA MAGIC TOILET.
 (3) ALL TUBING IS TO BE SECURED AT 1200 INTERVALS MAX WITH CLAMP 10495-01-000 AND SCREW 667-10-12B.
 2. TUBING TO BE INSTALLED WITH SUFFICIENT SLOPE TO PROVIDE DRAINAGE TO NEAREST VALVE.
 1. PLASTIC FITTINGS TO BE SEALED WITH SEALANT 84456-01-000.

WINNERACO '90 W/IF327RT
 WATER SYSTEM INSTL
 REF: 92381
 SHEET 1 OF 3
 ALL DIMENSIONS ARE IN MILLIMETERS



VIEW E-E

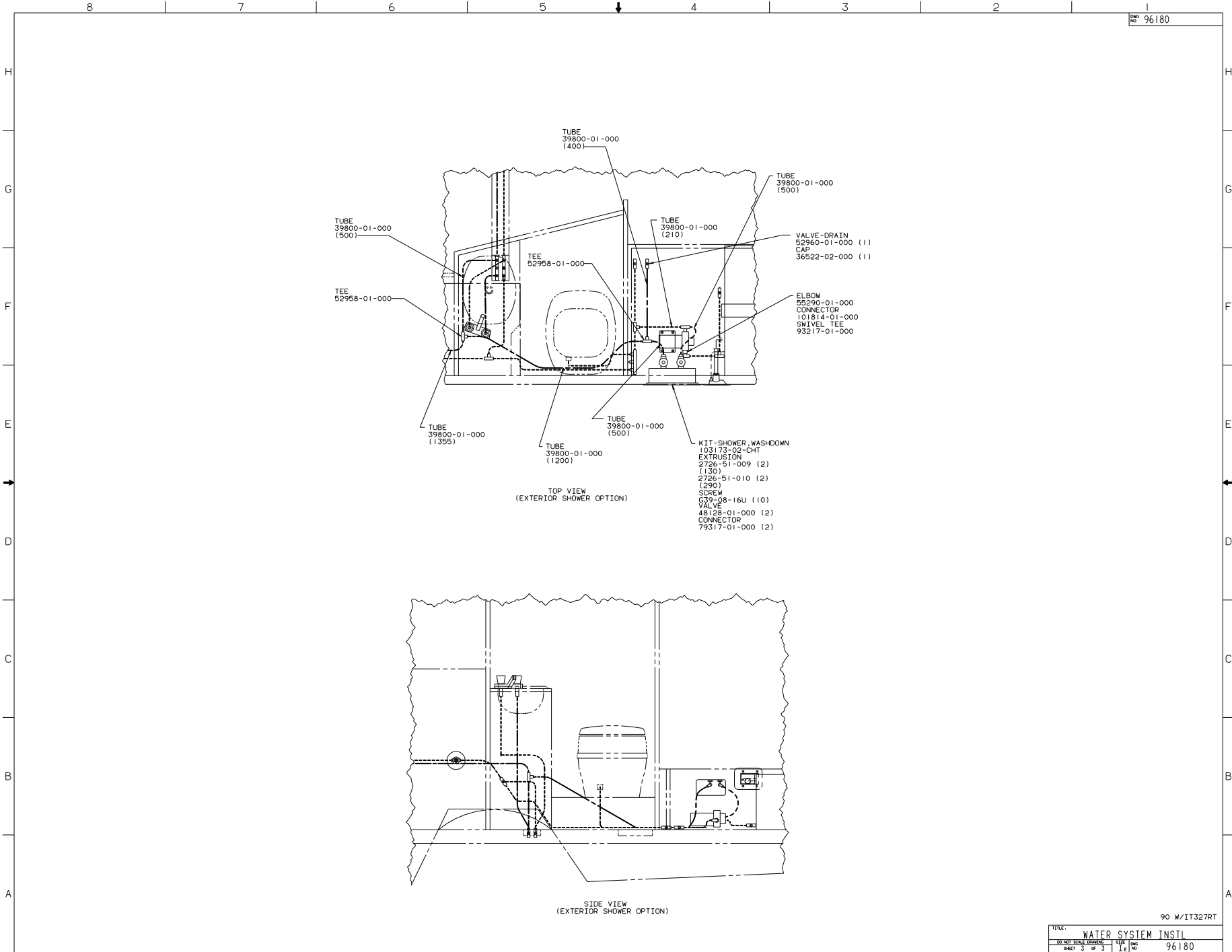


VIEW F-F

WATER HEATER
 BYPASS OPTION

90 W/IT327RT

TITLE: WATER SYSTEM INSTL		REV	DATE
30 NET SCALE DRAWING	SHEET 2 OF 3	1 E	NO
		96180	



TUBE 39800-01-000 (400)

TUBE 39800-01-000 (500)

TUBE 39800-01-000 (500)

TEE 52958-01-000

TEE 52958-01-000

TUBE 39800-01-000 (1355)

TUBE 39800-01-000 (1200)

TUBE 39800-01-000 (210)

VALVE-DRAIN 52960-01-000 (1)
CAP 36522-02-000 (1)

ELBOW 55290-01-000
CONNECTOR 101814-01-000
SWIVEL TEE 93217-01-000

KIT-SHOWER, WASHDOWN
103173-02-CHT
EXTRUSION
2726-51-009 (2)
(130)
2726-51-010 (2)
(290)
SCREW 639-08-16U (10)
VALVE 48128-01-000 (2)
CONNECTOR 79317-01-000 (2)

TOP VIEW
(EXTERIOR SHOWER OPTION)

