

VENT PIPE MUST PROJECT 51 MINIMUM TO 64 MAXIMUM ABOVE ROOF FOR PROPER FIT AND FUNCTION.

SEE DWG 61607-01-000 FOR INSTALLATION OF GROMMET.

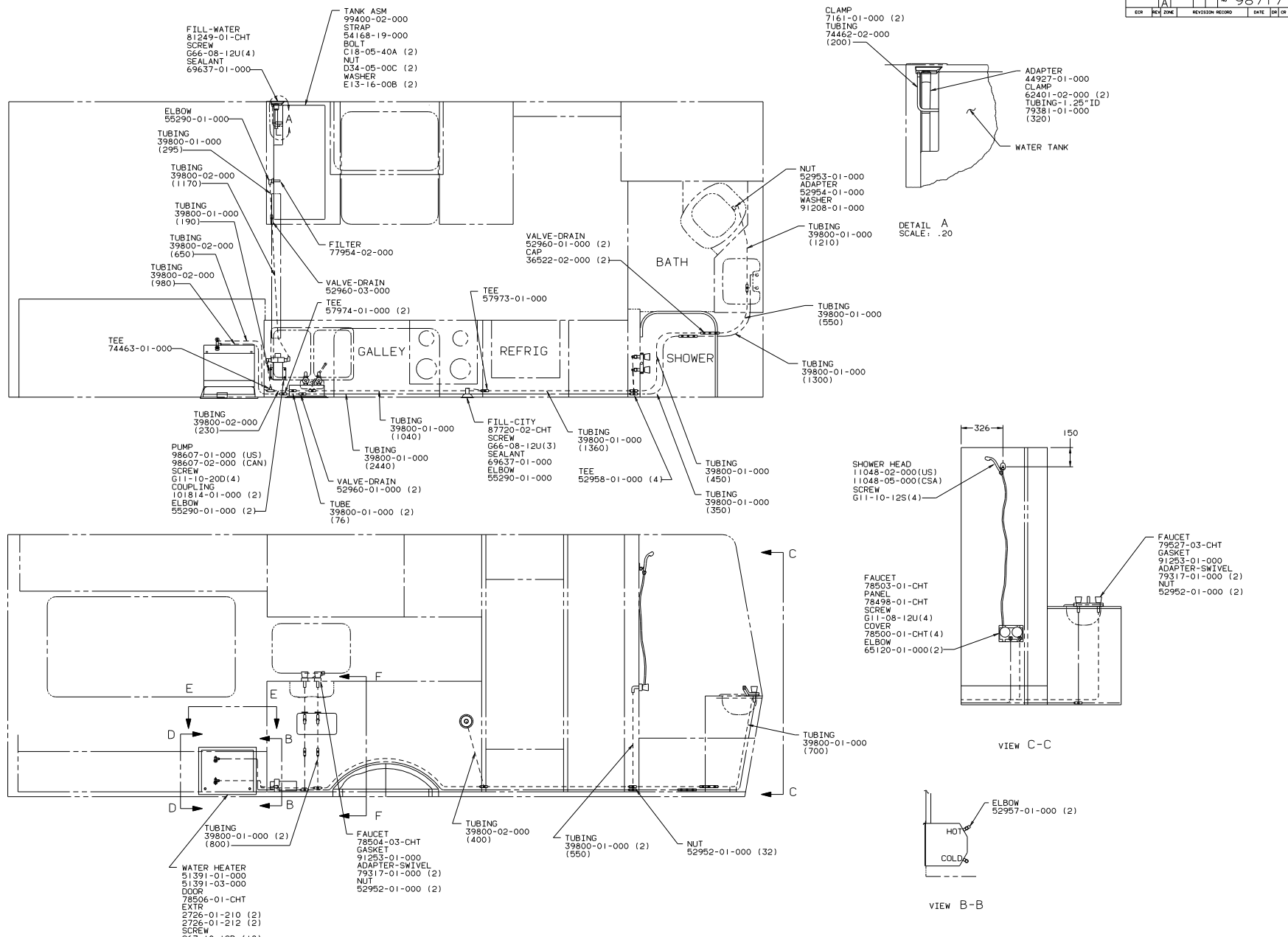
- ALL EXTERIOR OPENINGS AROUND PIPE TO BE SEALED WITH 69637-01-000.
- ALL PIPE AND FITTINGS TO BE ASSEMBLED WITH SOLVENT 4020-01-000.
- SLOPE OF TRAP ARM MUST BE 6 PER 305.
- SLOPE OF HORIZONTAL PIPING TO BE 6 PER 305.

NOTES:

**WINNERAGO** 90 W/1F327RB

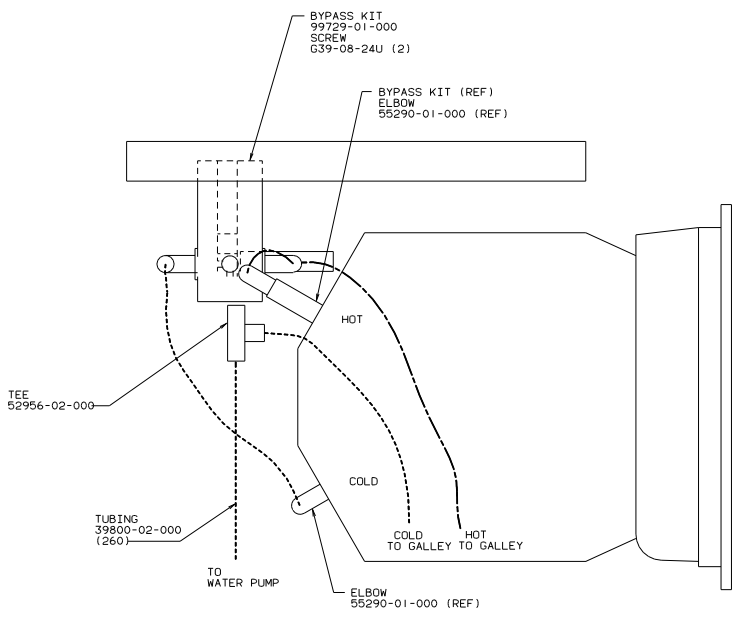
DATE	UNSPECIFIED TOLERANCES ARE:	MATERIAL
CHOP	FRAMES (FR. 1)	
PIPE	ONE-PIECE (FR. 2)	
PLATE	TWO-PIECE (FR. 300)	
ANGLE	ANGLE	
PIPE	THRU-WALL PROTECTOR	

LANE# 327RB0 TITLE: DRAINAGE SYSTEM INSTL  
 DIA # SCALE: 1:10 300 NET SCALE DRAWING: 1:10  
 ALL DIMENSIONS ARE IN MILLIMETERS SHEET 1 OF 1 DRG NO 98713

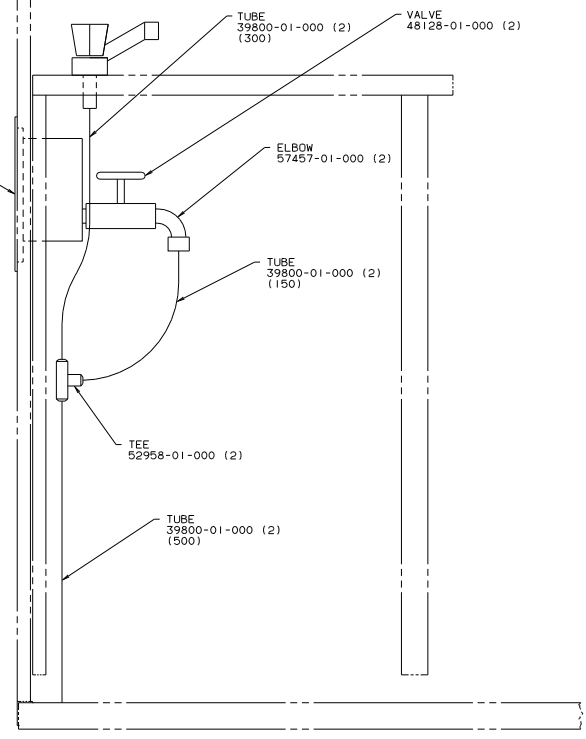


4. USE WITH EXTERIOR SHOWER.
3. ALL TUBING TO BE SECURED AT 1200 INTERVALS MAX WITH CLAMP 10495-01-000 AND SCREW G67-10-12B.
2. TUBING TO BE INSTALLED WITH SUFFICIENT SLOPE TO PROVIDE DRAINAGE TO NEAREST VALVE.
1. PLASTIC FITTINGS TO BE SEALED WITH SEALANT 84456-01-000.

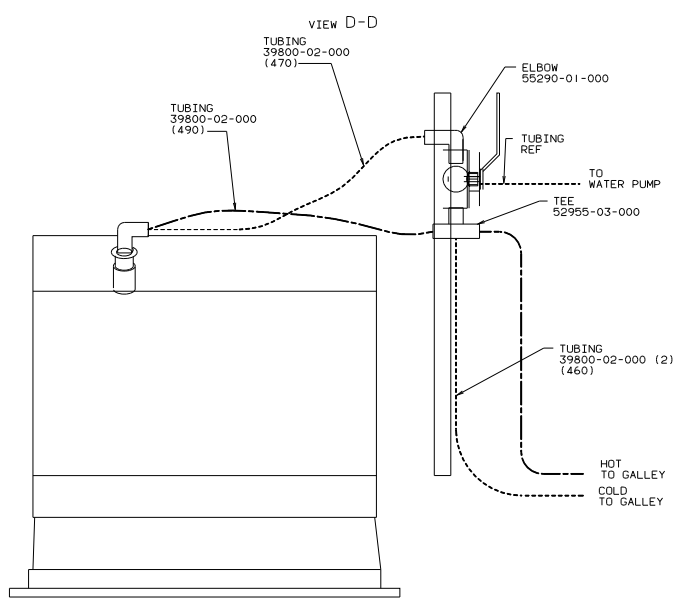
WINNEBAGO		90 W/1F327RB
OPTN	UNSPECIFIED TOLERANCES ARE:	MATERIAL
CHRP	WHOLE DIM (IN)	+ 1.5
FPE	ONE-PLACE (IN.XI)	+ 0.8
FVE	TWO-PLACE (IN.XI)	+ 1.0
COLR	ANGLE	
	THRU HOLES	
	PROJECTION	
LANE# 327RB0	TITLE: WATER SYSTEM INSTL	
DIA #	SCALE: NONE	DO NOT SCALE DRAWING
ALL DIMENSIONS ARE IN MILLIMETERS	SHEET 1 OF 2	SIZE 11x17
		98717



KIT-SHOWER\_WASHDOWN  
 103173-02-CHT  
 EXTRUSION  
 2726-51-009 (2)  
 (130)  
 2726-51-010 (2)  
 (290)  
 SCREW  
 G39-08-16U (10)



VIEW F-F  
(EXTERIOR SHOWER OPTION)



WATER HEATER  
BYPASS OPTION

90 W/IT327RB

TITLE: WATER SYSTEM INSTL		REV	DATE
30 NET SCALE DRAWING	SHEET 2 OF 2	1.1	NO
		98717	