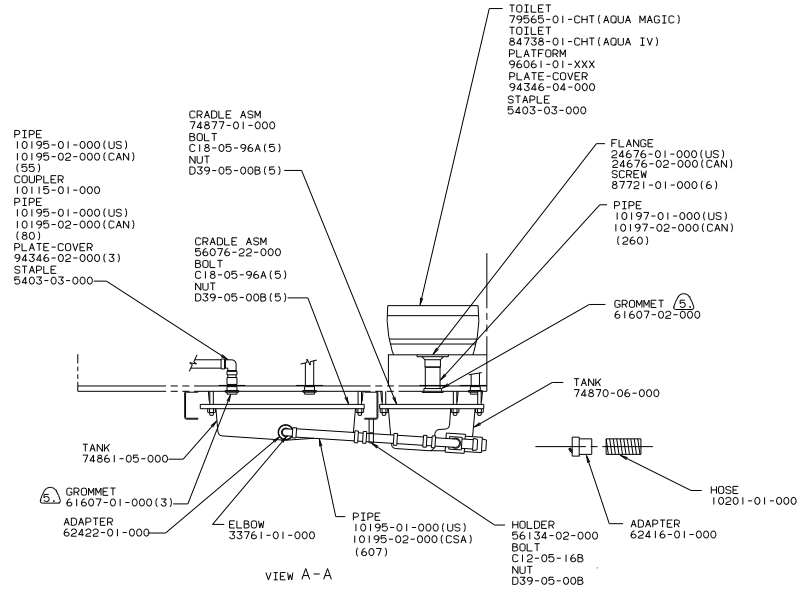
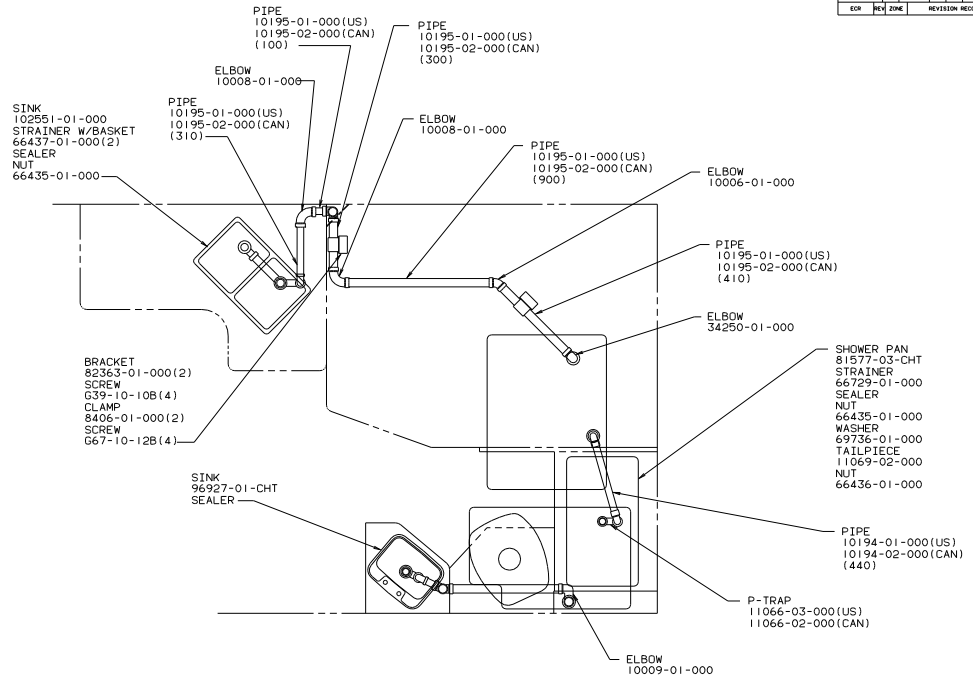
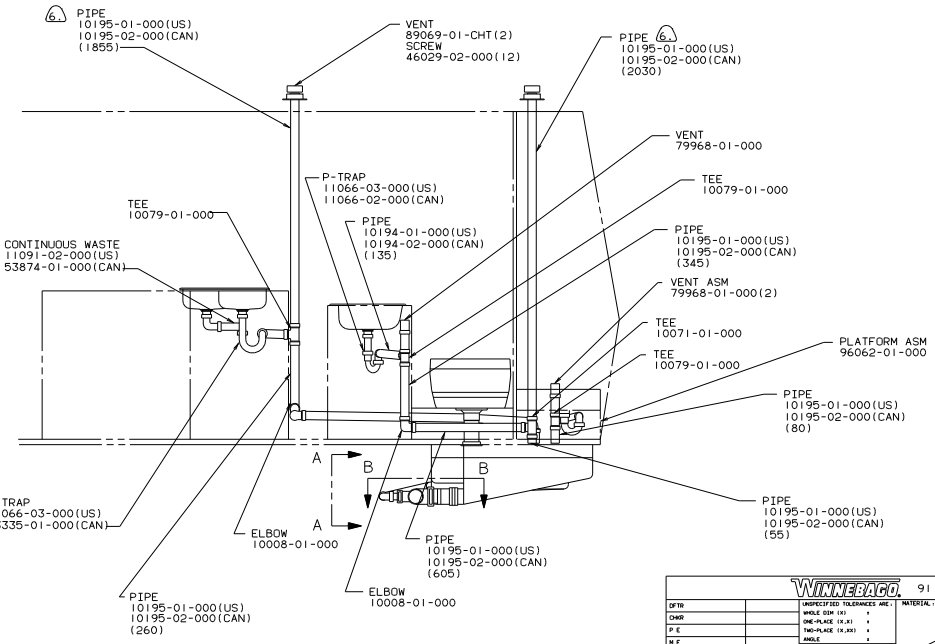


VIEW B-B
SCALE: 0.2



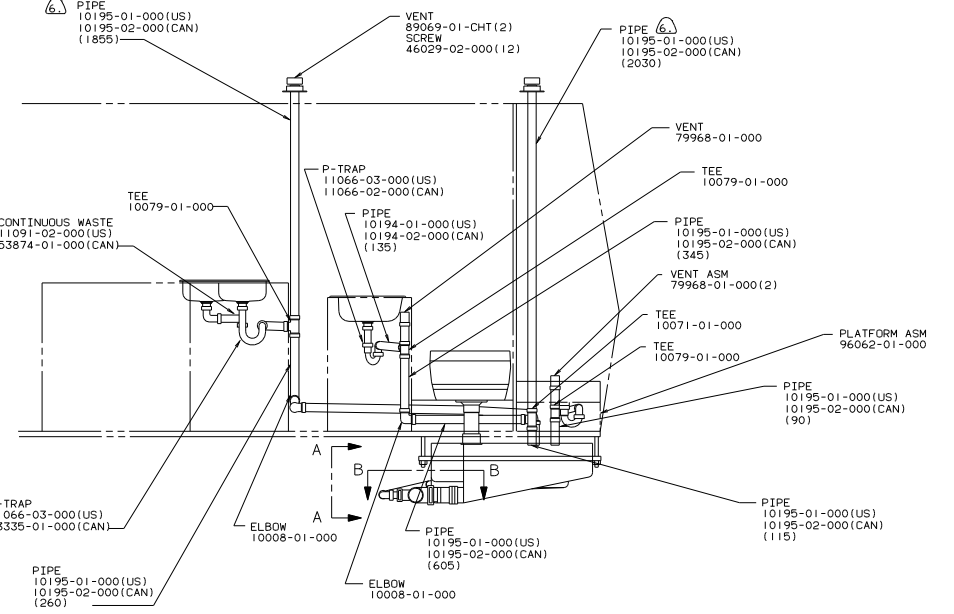
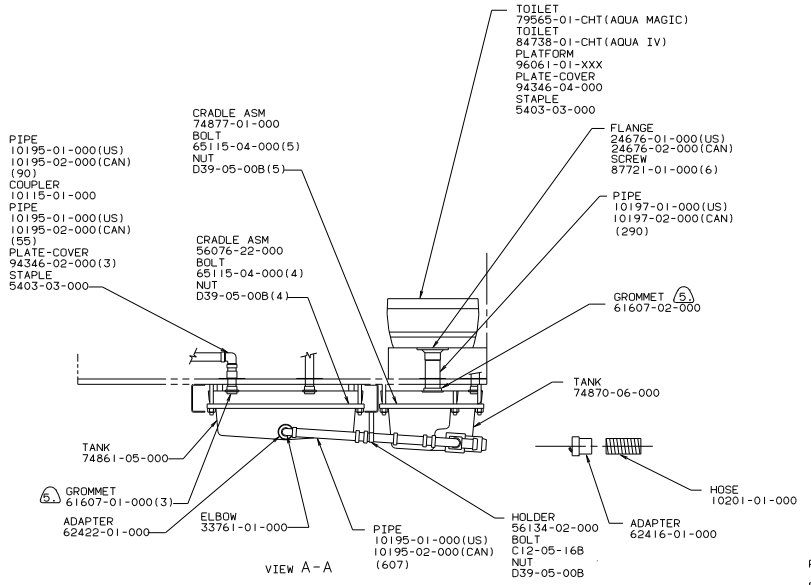
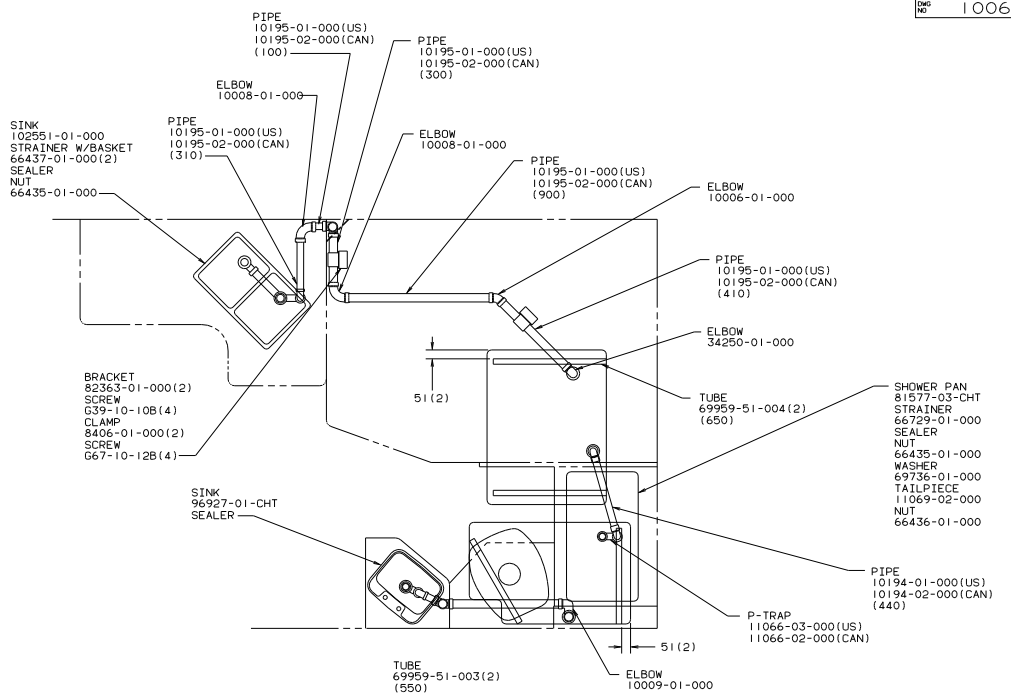
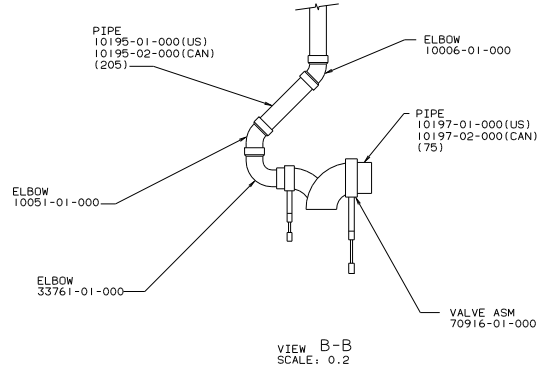
VIEW A-A

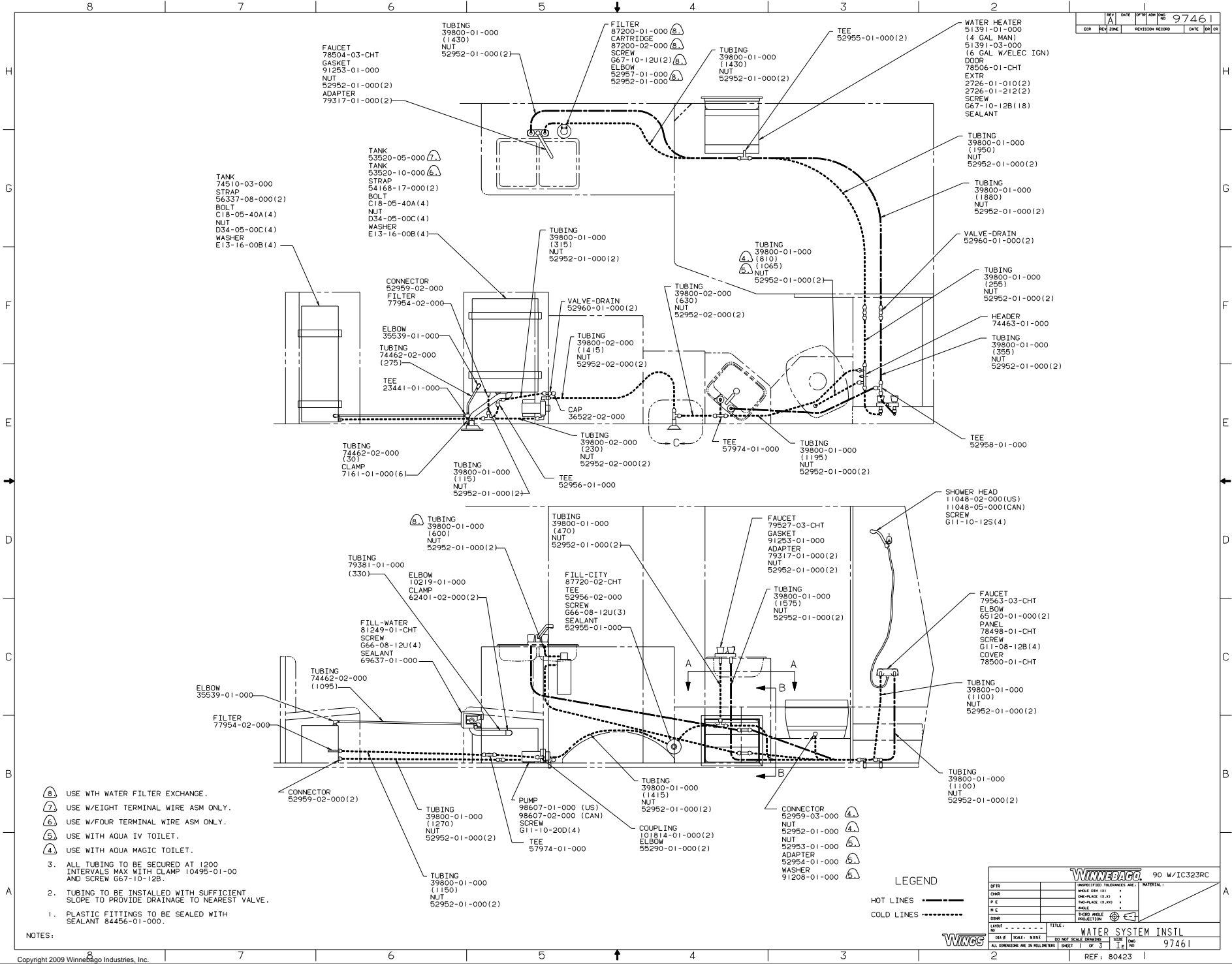


- NOTES:
- VENT MUST PROJECT 51 MIN TO 64 MAX ABOVE ROOF FOR PROPER FIT AND FUNCTION.
 - SEE DWG 61607-01-000 FOR INSTALLATION OF GROMMET.
 - ALL EXTERIOR OPENINGS AROUND PIPE TO BE SEALED WITH 69637-01-000.
 - ALL PIPE AND FITTINGS TO BE ASSEMBLED WITH SOLVENT 4020-01-000.
 - SLOPE OF TRAP ARM MUST BE 6 PER 305.
 - SLOPE OF HORIZONTAL PIPING TO BE 6 PER 305.

CHEVY

WINNERAGO 91 W/1C324RC	
DATE	UNSPECIFIED TOLERANCES ARE IN MATERIAL.
CHKD	ANGLE DIM (10)
DWG	ONE-PLACE (16, 21)
FILE	TWO-PLACE (16, 20)
FILE	ANGLE
CHKD	THRU ANGLE PROJECTION
LAND	
SCALE	TITLE
1/4" = 1"	DRAINAGE SYSTEM INSTL
ALL DIMENSIONS ARE IN MILLIMETERS	SHEET 1 OF 2
REF: 97462	100641



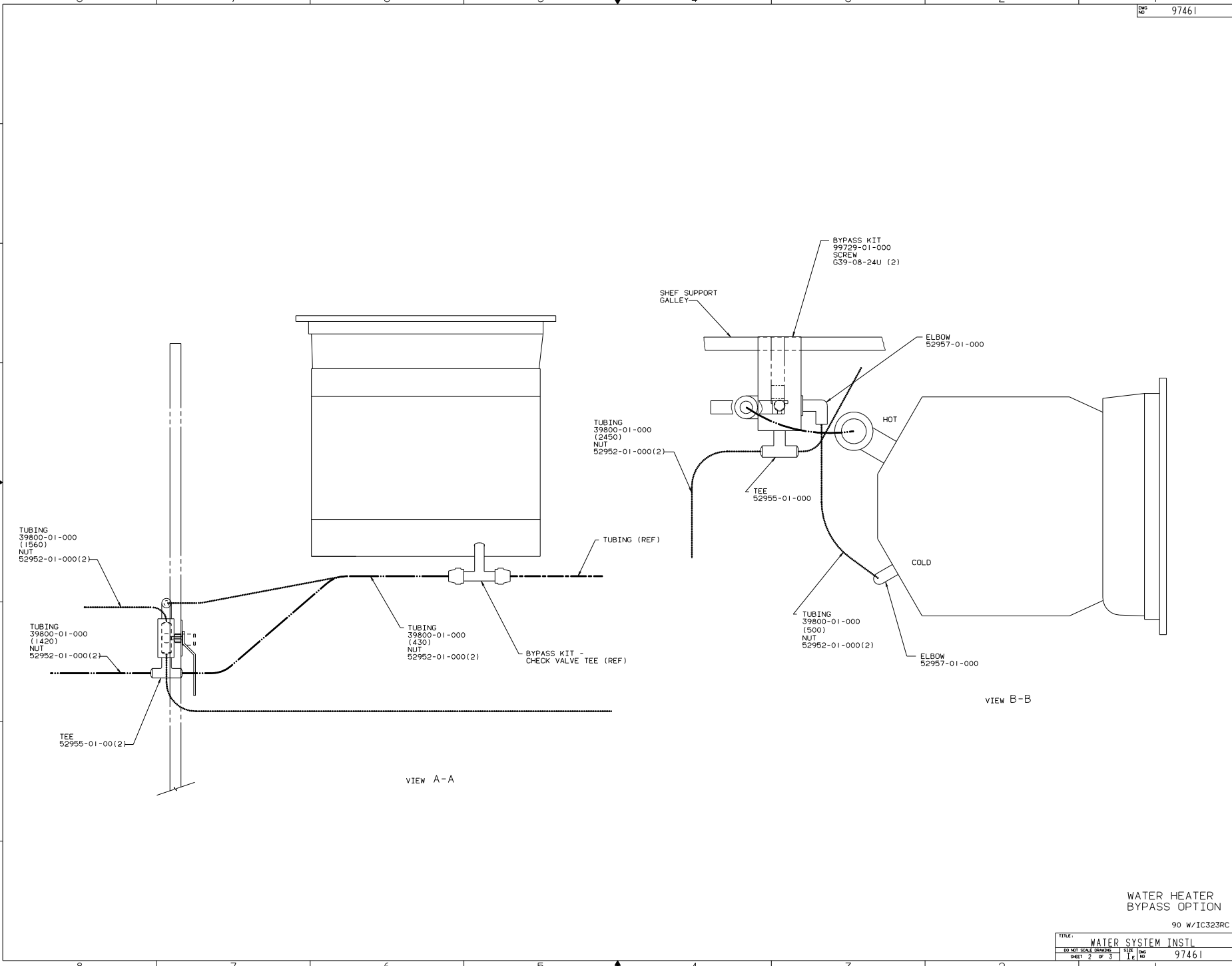


- (8) USE WITH WATER FILTER EXCHANGE.
- (7) USE W/EIGHT TERMINAL WIRE ASM ONLY.
- (6) USE W/FOUR TERMINAL WIRE ASM ONLY.
- (5) USE WITH AQUA TV TOILET.
- (4) USE WITH AQUA MAGIC TOILET.

3. ALL TUBING TO BE SECURED AT 1200 INTERVALS MAX WITH CLAMP 10495-01-00 AND SCREW G67-10-12B.
2. TUBING TO BE INSTALLED WITH SUFFICIENT SLOPE TO PROVIDE DRAINAGE TO NEAREST VALVE.
1. PLASTIC FITTINGS TO BE SEALED WITH SEALANT 84456-01-000.

LEGEND
 HOT LINES ———
 COLD LINES - - - - -

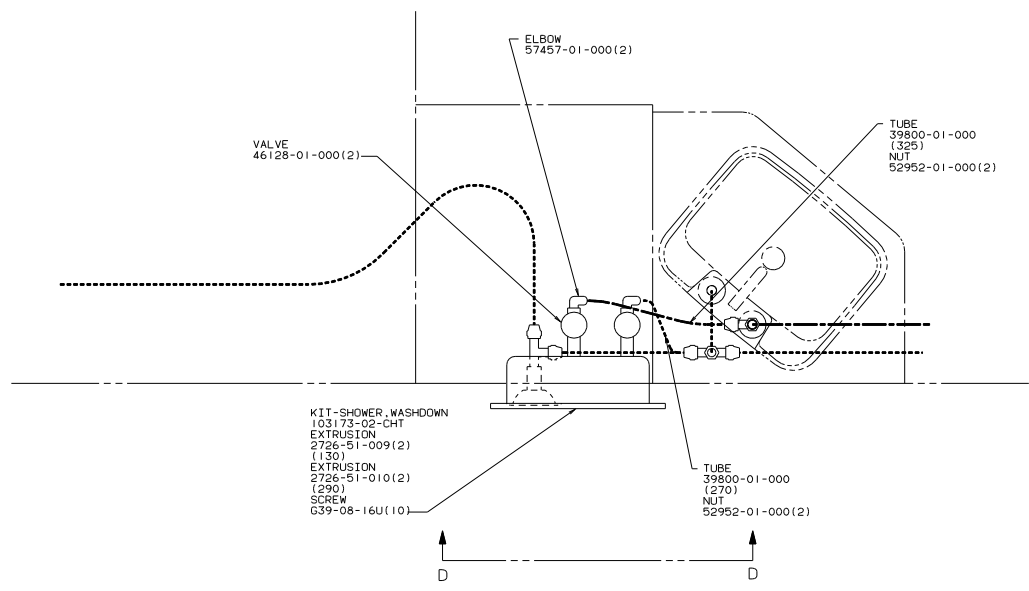
		90 W/1C323RC
DATE	UNSPECIFIED TOLERANCES ARE:	MATERIAL
CHRP	WHOLE DIM (IN)	
F.F.E	ONE-PLACE (IN.XI)	
F.F.E	TWO-PLACE (IN.XXX)	
ANGLE	ANGLE	
THROU ANGLE	THROU ANGLE	
PROJECTION	PROJECTION	
		TITLE: WATER SYSTEM INSTL SHEET 1 OF 3 DATE 97461



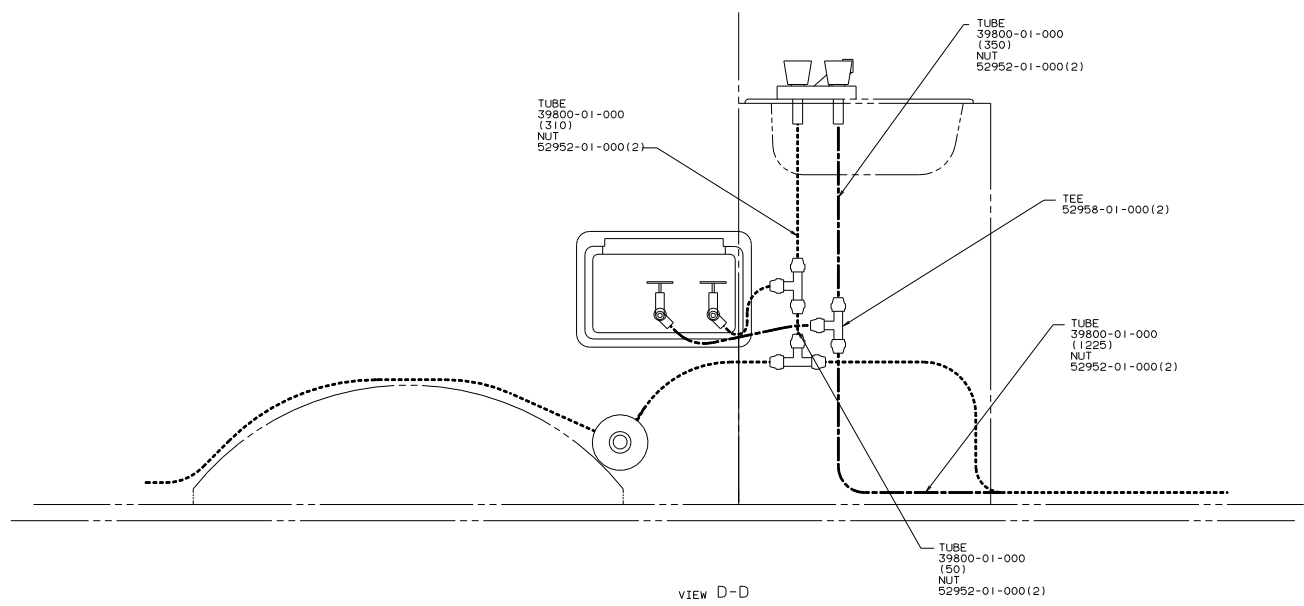
WATER HEATER BYPASS OPTION

90 W/IC323RC

TITLE: WATER SYSTEM INSTL		REV	DATE
30 NET SCALE DRAWING	SHEET 2 OF 3	1.1	NO
		97461	



VIEW C-C



VIEW D-D

EXTERIOR
SHOWER
OPTION

90 W/IC323RC

TITLE: WATER SYSTEM INSTL		DATE	REV
30 MET SCALE DRAWING	3 OF 3	1.1	1
SHEET		NO 97461	