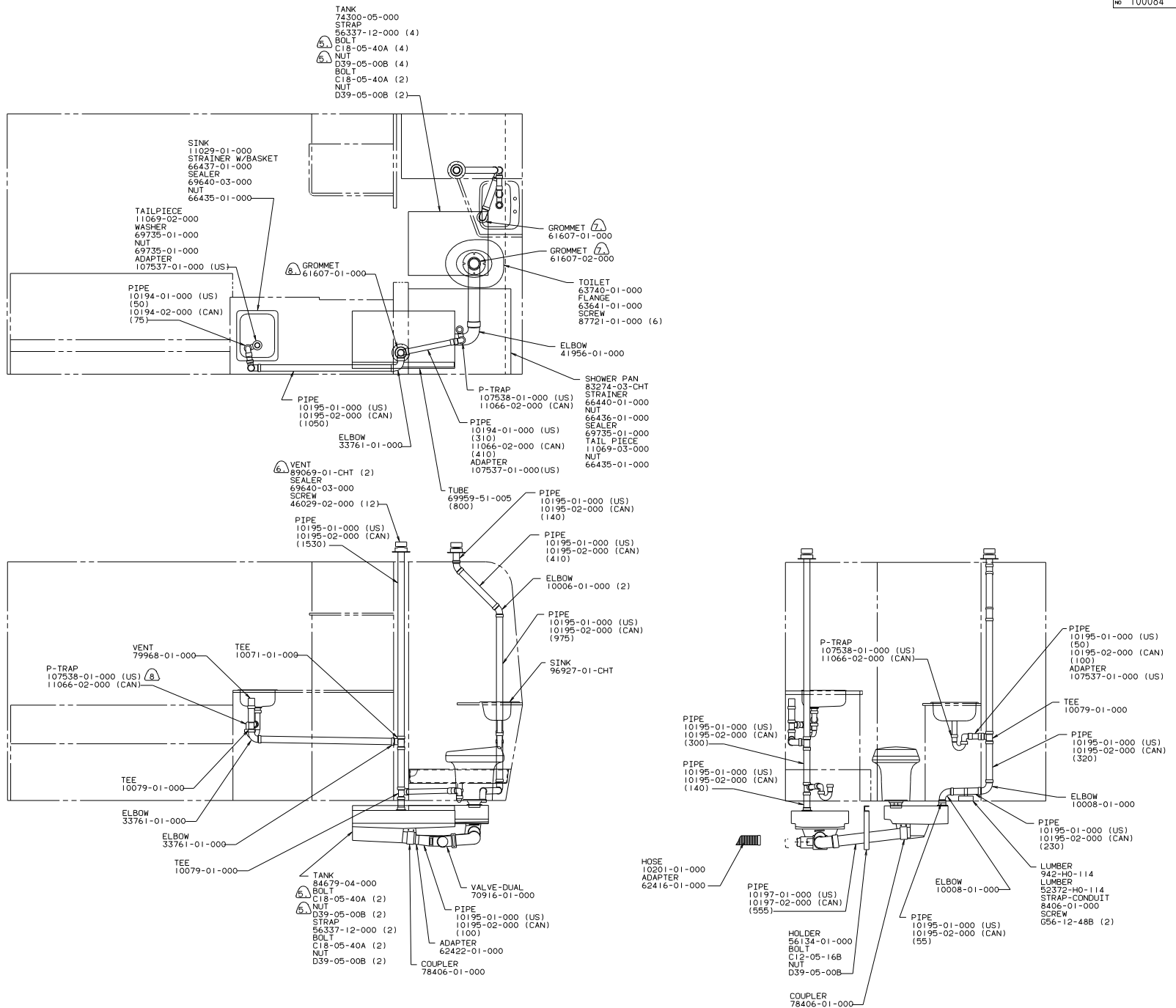
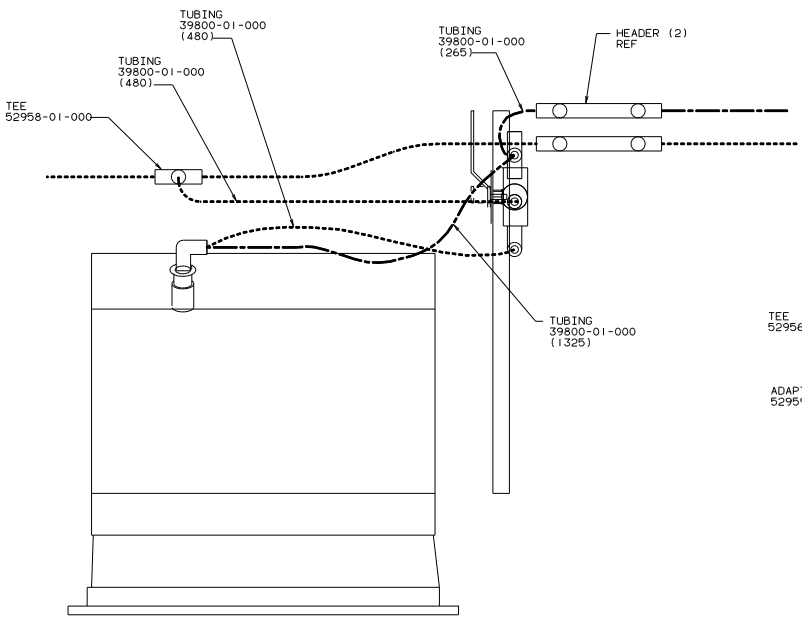


- ⑩ SECURE TUBE 69959-51-005 WITH SCREW G39-08-12B(2).
 - ⑨ SECURE VENT TUBES TO FLOOR
 - ⑧ TRIM P-TRAP EXTENSION TO FIT.
 - ⑦ SEE DRAWING 61607-01-000 FOR INSTALLATION OF GROMMET.
 - ⑥ VENT PIPE MUST PROJECT 51 MM TO 64 MM ABOVE ROOF FOR PROPER FIT AND FUNCTION.
 - ⑤ USED TO MOUNT STRAPS TO FLOOR ASM.
4. ALL EXTERIOR OPENINGS AROUND PIPE TO BE SEALED.
 3. ALL PIPE AND FITTINGS TO BE ASSEMBLED WITH SOLVENT 4020-01-000.
 2. SLOPE OF TRAP ARM MUST BE 21 PER METER.
 1. SLOPE OF HORIZONTAL PIPING TO BE 10 PER METER MINIMUM.

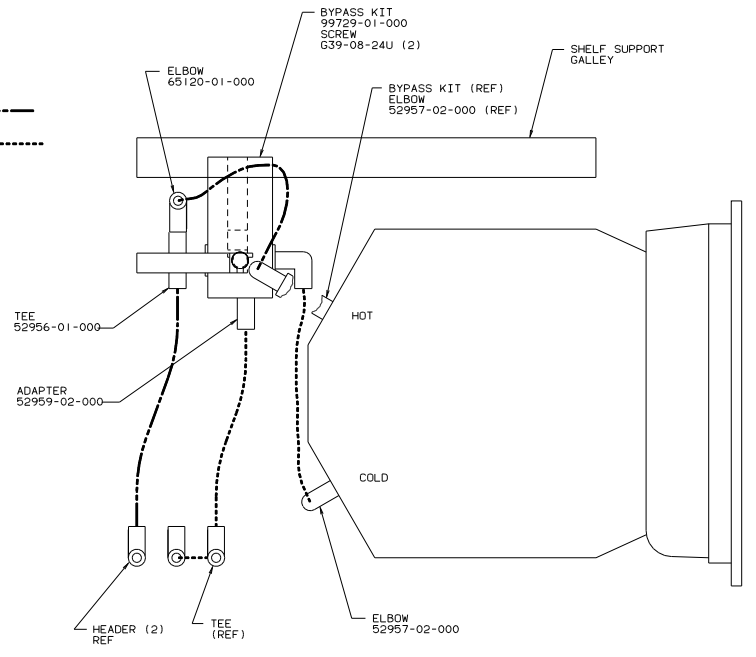
| | | |
|-------------------|-----------------------------|------------------------------|
| WINNAPCO | | 90 W/1321RB |
| DATE | UNSPECIFIED TOLERANCES ARE: | MATERIAL |
| CHDR | WHOLE DIM (1:1) | 1:15 |
| DR | ONE-PLACE (1:1) | 1:15 |
| PL | TWO-PLACE (1:1) | 1:15 |
| W | ANGLE | 1:15 |
| CDR | THRU WHOLE PROJECTOR | |
| LAYOUT NO. 321R80 | | TITLE: DRAINAGE SYSTEM INSTL |
| SHEET 1 OF 2 | | 100084 |



TITLE: DRAINAGE SYSTEM INSTL
 30 MIL SCALE DRAWING
 SHEET 2 OF 2
 100084



VIEW C-C



VIEW D-D

WATER HEATER
 BYPASS OPTION
 90 W/IT321RB

| | | | |
|---------------------------|--------------|-----|----------|
| TITLE: WATER SYSTEM INSTL | | REV | DATE |
| 30 NET SCALE DRAWING | SHEET 2 OF 2 | 1.1 | 10/11/09 |