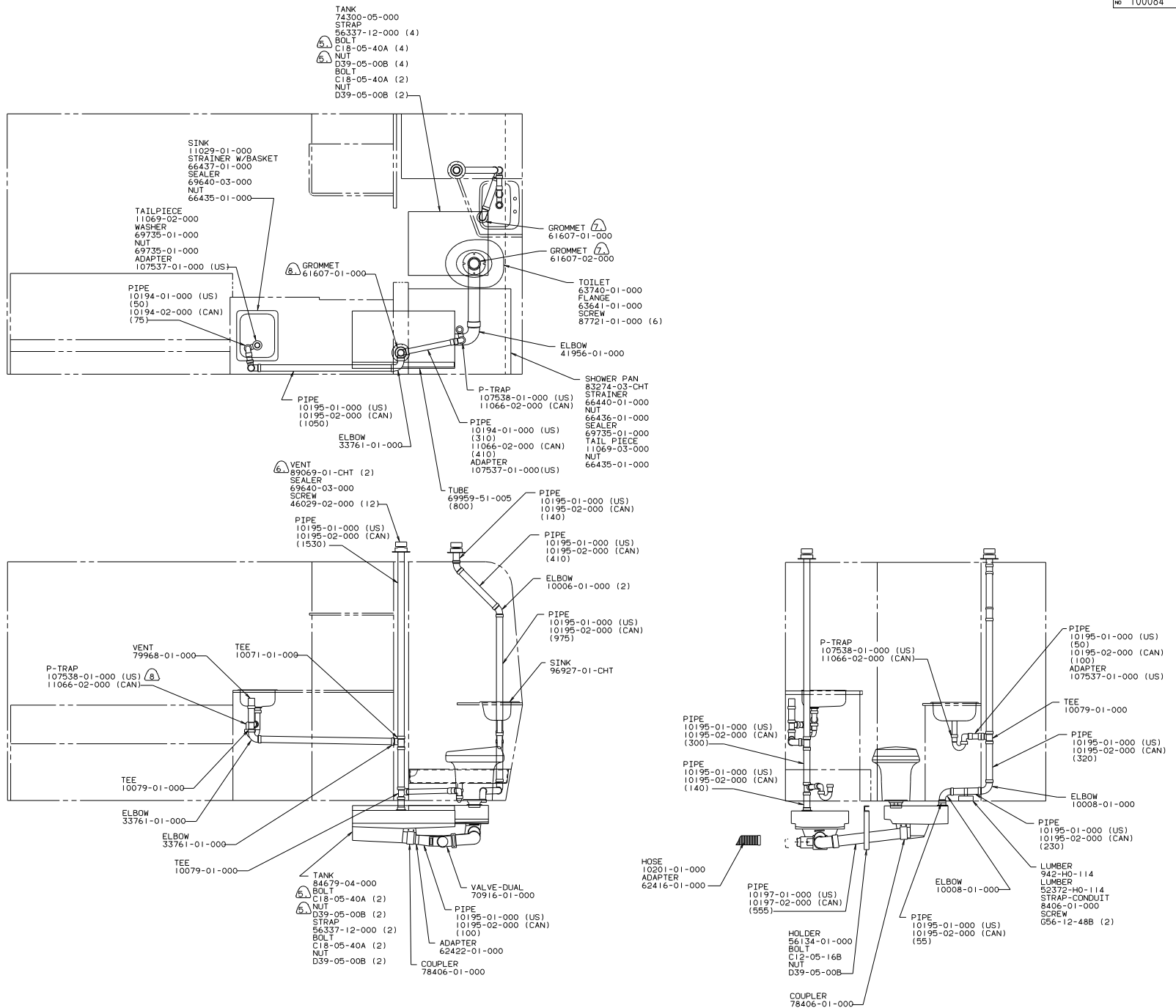
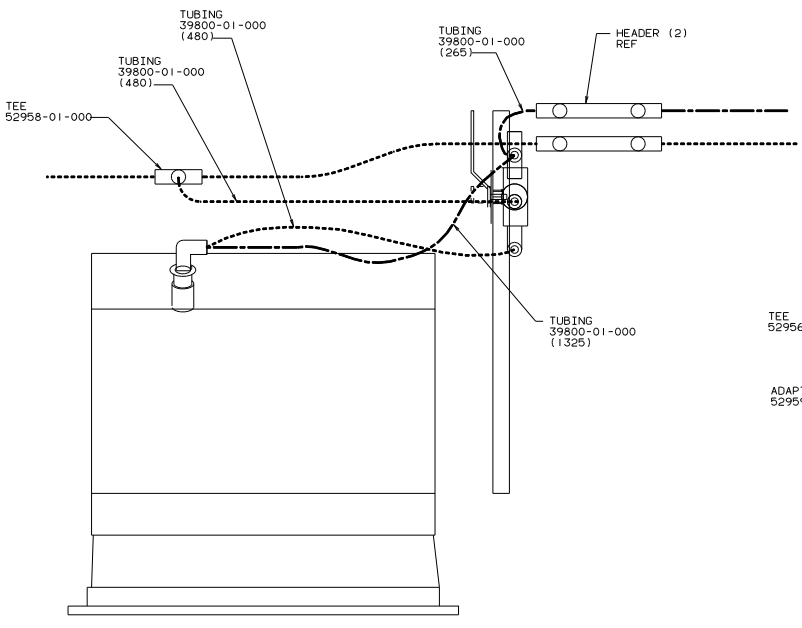


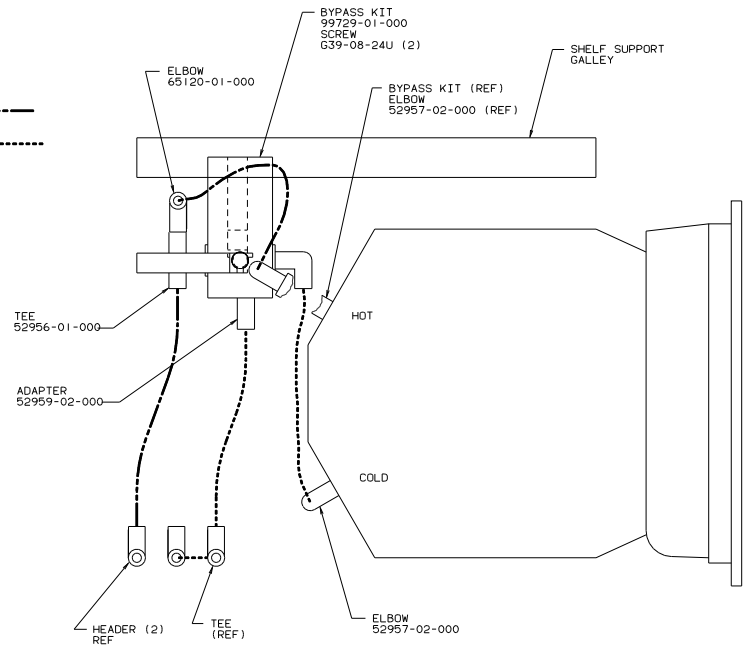
- ⑩ SECURE TUBE 69959-51-005 WITH SCREW G39-08-12B(2).
 - ⑨ SECURE VENT TUBES TO FLOOR
 - ⑧ TRIM P-TRAP EXTENSION TO FIT.
 - ⑦ SEE DRAWING 61607-01-000 FOR INSTALLATION OF GROMMET.
 - ⑥ VENT PIPE MUST PROJECT 51 MM TO 64 MM ABOVE ROOF FOR PROPER FIT AND FUNCTION.
 - ⑤ USED TO MOUNT STRAPS TO FLOOR ASM.
4. ALL EXTERIOR OPENINGS AROUND PIPE TO BE SEALED.
 3. ALL PIPE AND FITTINGS TO BE ASSEMBLED WITH SOLVENT 4020-01-000.
 2. SLOPE OF TRAP ARM MUST BE 21 PER METER.
 1. SLOPE OF HORIZONTAL PIPING TO BE 10 PER METER MINIMUM.



TITLE: DRAINAGE SYSTEM INSTL
 30 MET SCALE DRAWING
 SHEET 2 OF 2
 100084



VIEW C-C



VIEW D-D

WATER HEATER BYPASS OPTION

90 W/IT321RB

TITLE: WATER SYSTEM INSTL		REV	DATE
30 NET SCALE DRAWING	SHEET 2 OF 2	1.1	10/11/09