

8. VENT PIPE MUST PROJECT 51MM MIN TO 64 MM MAX ABOVE ROOF FOR PROPER FIT AND FUNCTION.
7. SEE DWG 61607-01-000 FOR INSTL OF GROMMET.
6. SEAL ALL AROUND BATHTUB WITH SILICONE 78474-01-CHT.
5. FOR CANADIAN UNITS EACH HOLDING TANK SHALL HAVE A CSA APPROVAL STAMPED NEAR THE LAPMD APPROVAL.
4. ALL EXTERIOR OPENINGS AROUND PIPE TO BE SEALED WITH 69637-01-000.
3. ALL PIPE AND FITTINGS TO BE ASSEMBLED WITH SOLVENT 4020-01-000.
2. SLOPE OF TRAP ARM MUST BE 6 PER 300.
1. SLOPE OF HORIZONTAL PIPING TO BE 6 PER 305 MINIMUM.

GM

WINNEBAGO 90 W1CP37RD

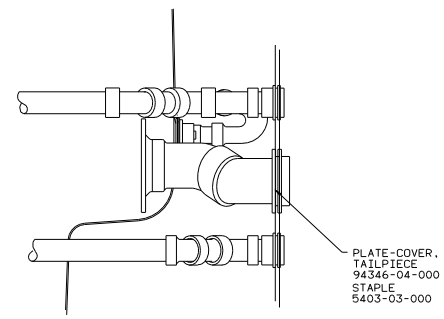
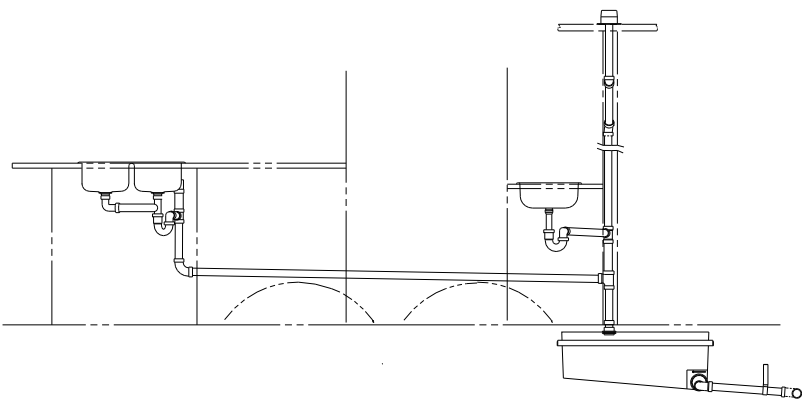
DATE	BY	CHKD	APP'D	REV	DESCRIPTION

UNSPECIFIED TOLERANCES ARE: MATERIAL: FINISH: DIMENSIONS: 1/16" (2.54) ANGLES: 1/16" (2.54) HOLE DIA: 1/16" (2.54) HOLE DIA: 1/16" (2.54) HOLE DIA: 1/16" (2.54) HOLE DIA: 1/16" (2.54)

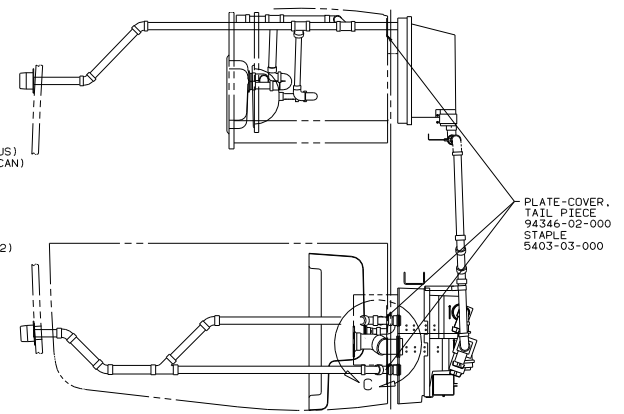
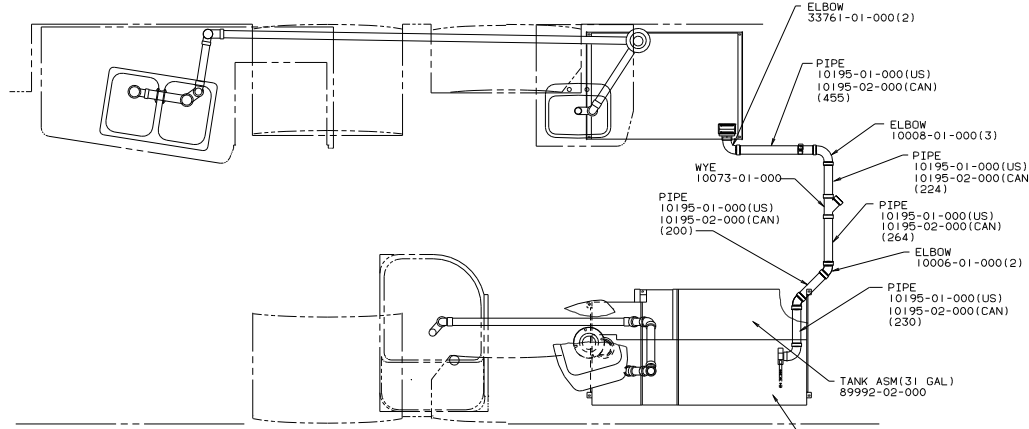
DRAINAGE SYSTEM INSTL

97765

REF: 92518



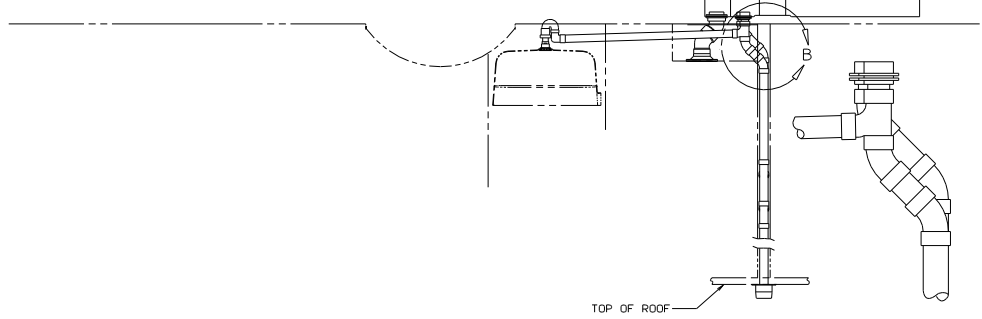
DETAIL C
SCALE: 0.3



FRONT AXLE

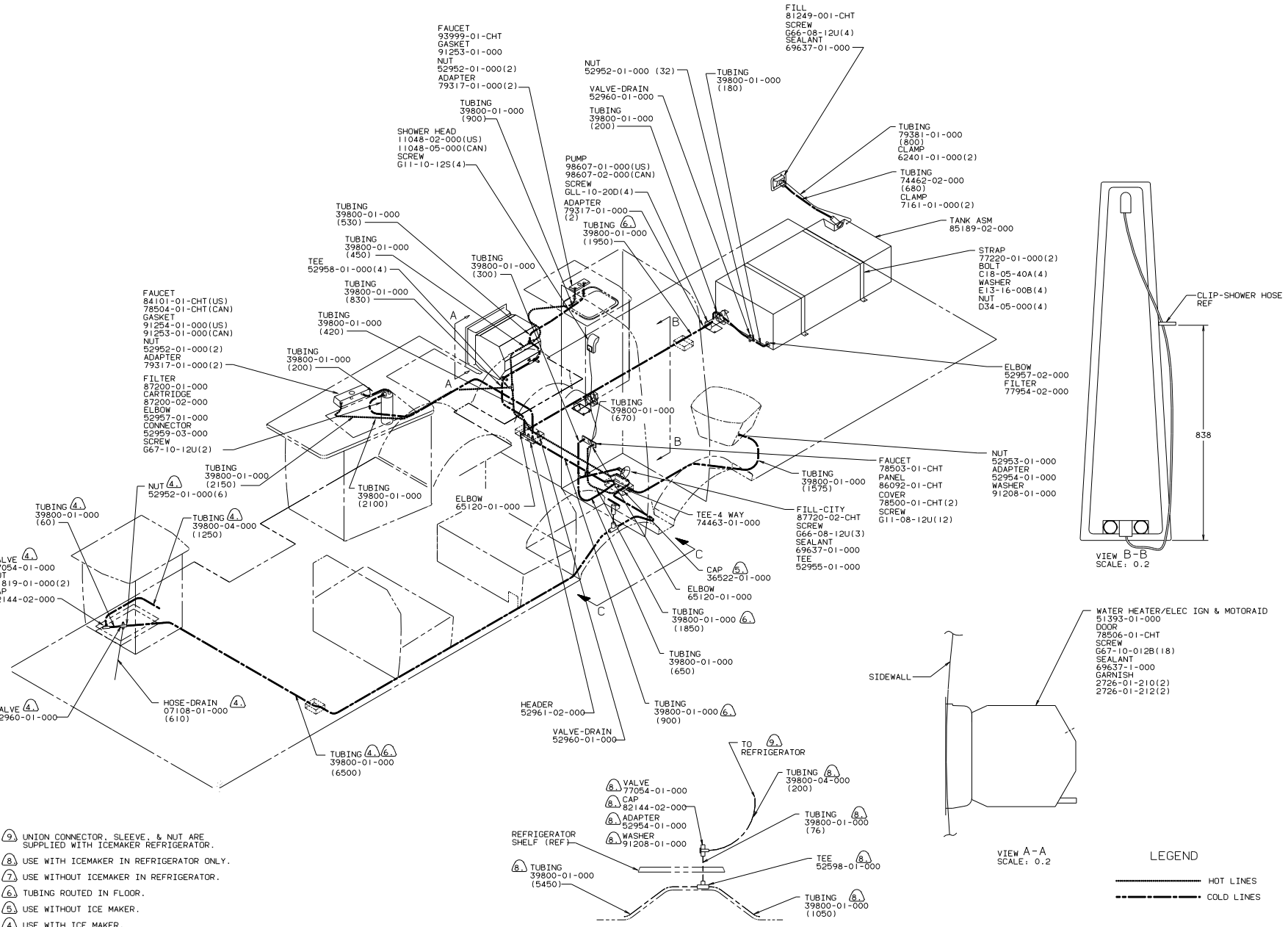
0

- COMPARTMENT-HOSE, SEWER
98050-01-000
- BOLT
C12-05-16B (2)
- NUT
D39-05-00B (2)
- PIN-HOSE, SEWER
98456-01-000

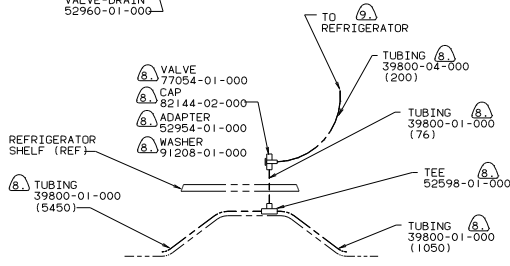
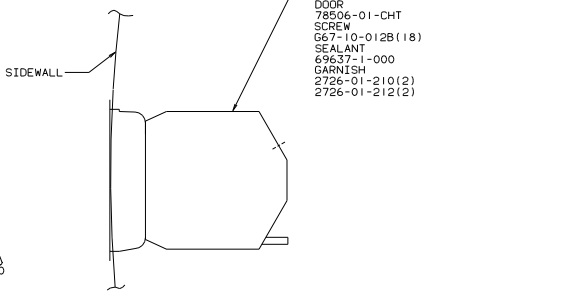
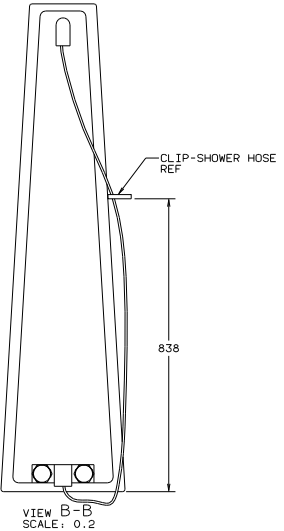


FORD

TITLE: DRAINAGE SYSTEM INSTL		DWG NO: 97765	
30 NET SCALE DRAWING	FILE	1	1
SHEET 2 OF 2	DATE		



- ④ UNION CONNECTOR, SLEEVE, & NUT ARE SUPPLIED WITH ICEMAKER REFRIGERATOR.
 - ⑧ USE WITH ICEMAKER IN REFRIGERATOR ONLY.
 - ⑦ USE WITHOUT ICEMAKER IN REFRIGERATOR.
 - ⑥ TUBING ROUTED IN FLOOR.
 - ⑤ USE WITHOUT ICE MAKER.
 - ④ USE WITH ICE MAKER.
3. ALL TUBING TO BE SECURED AT 1200 INTERVALS MAX. WITH CLAMP 10495-01-000 AND SCREW G67-10-12B.
 2. TUBING TO BE INSTALLED WITH SUFFICIENT SLOPE TO PROVIDE DRAINAGE TO NEAREST VALVE.
 1. PLASTIC FITTINGS TO BE SEALED WITH SEALANT TAPE 9201-01-000.

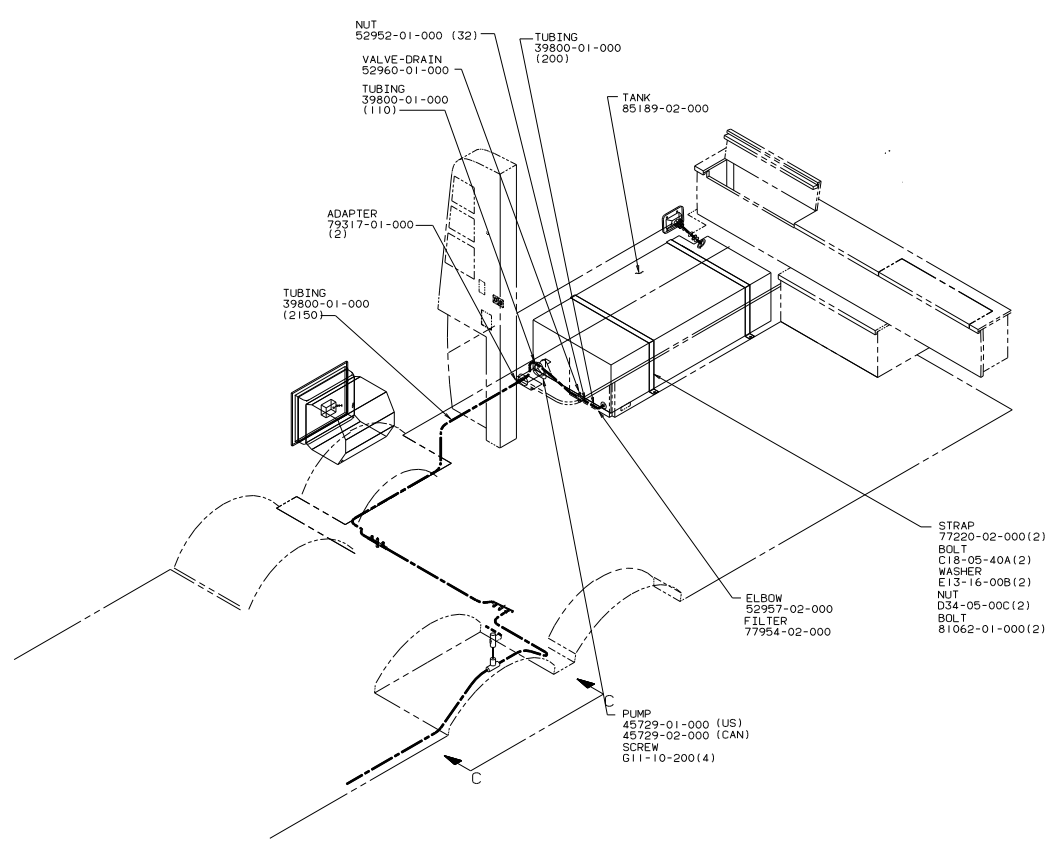


LEGEND

————— HOT LINES

----- COLD LINES

		90 W/ICP37R0
DFR CWD P.E. P.L. DOW	INSPECTED TOLERANCES ARE: HOLE DIM (X1) +1.5 DIM-FINISH (X1.01) +0.5 DIM-FINISH (X1.01) +0.5 HOLE THIRD ANGLE PROJECTION	TITLE WATER SYSTEM INSTL SHEET 1 OF 2 I.E. NO 97767



WITH TWIN BEDS

- STRAP 77220-02-000(2)
- BOLT C18-05-40A(2)
- WASHER E13-16-00B(2)
- NUT D34-05-00C(2)
- BOLT 81062-01-000(2)

- ELBOW 52957-02-000
- FILTER 77954-02-000

- PUMP 45729-01-000 (US)
- 45729-02-000 (CAN)
- SCREW G11-10-200(4)

- NJT 52952-01-000 (32)
- VALVE-DRAIN 52950-01-000
- TUBING 39800-01-000 (110)
- TANK 85189-02-000

- TUBING 39800-01-000 (2150)

- ADAPTER 79317-01-000 (2)

TITLE: WATER SYSTEM INSTL		DWG NO 97767	
SO. NET SCALE DRAWING	SHEET 2 of 2	FILE	1.E