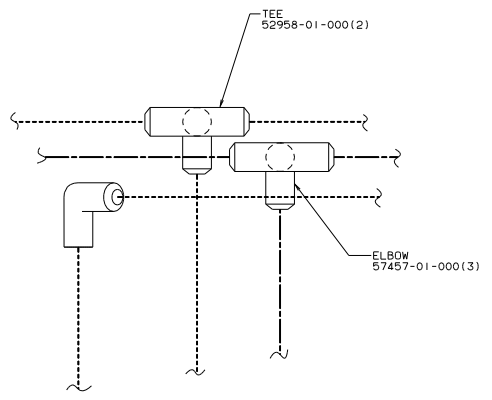
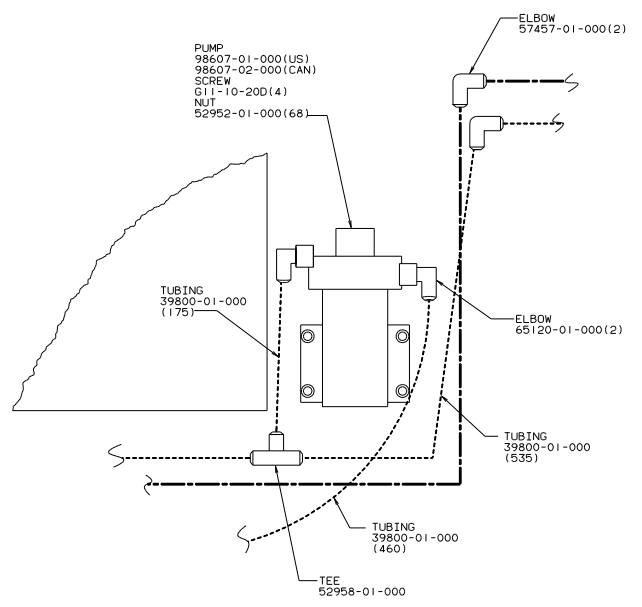


- ⑩ SEE DWG 93128-01-000 FOR TANK INSTL.
- ⑨ LOCATE CLAMP ON GALLEY CABINET FOR PROPER SLOPE.
- ⑧ SECURE VENT TUBES TO FLOOR.
- ⑦ VENT PIPE MUST BE PROJECT 51MM MIN TO 64MM MAX ABOVE ROOF FOR PROPER FIT AND FUNCTION.
- ⑥ SEE DWG 61607-01-000 FOR INSTL OF GROMMET.
- 5. SEAL ALL AROUND SHOWER WITH SILICON 78474-01-CHT.
- 4. FOR CANADIAN UNITS EACH HOLDING TANK SHALL HAVE A CSA APPROVAL STAMPED NEAR IAPMO APPROVAL.
- 3. ALL PIPE AND FITTINGS TO BE ASSEMBLED WITH SOLVENT 4020-01-000.
- 2. SLOPE OF TRAP MUST BE 6 PER 300 MINIMUM.
- 1. SLOPE OF HORIZONTAL PIPING TO BE 6 PER 300 MINIMUM.

'89 W/1CN36R0	
PART NO. N36R0 TITLE: DRAINAGE SYSTEM INSTL DRAWING NO. 94370	UNDESIGNED TOLERANCES ARE: MATERIAL: ALL DIMENSIONS ARE IN MILLIMETERS DIMENSIONS IN PARENTHESES ARE FOR INFORMATION ONLY DIMENSIONS IN BRACKETS ARE FOR INFORMATION ONLY DIMENSIONS IN DASHES ARE FOR INFORMATION ONLY DIMENSIONS IN SMALLER FONT ARE FOR INFORMATION ONLY
SHEET 1 OF 1	DATE 11/11/09

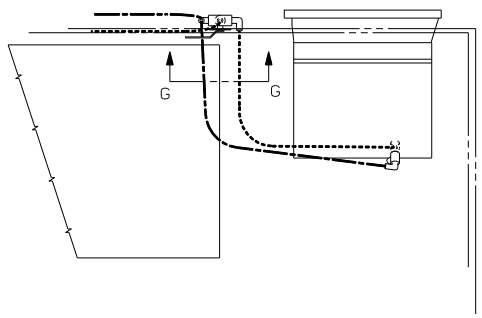


DETAIL D
SCALE: 1.0

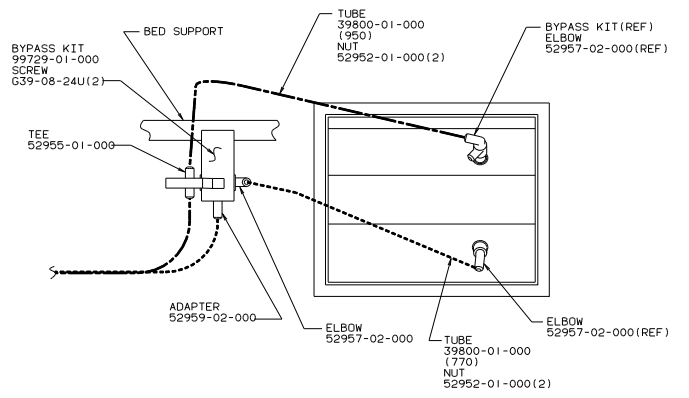


DETAIL E
SCALE: 0.5

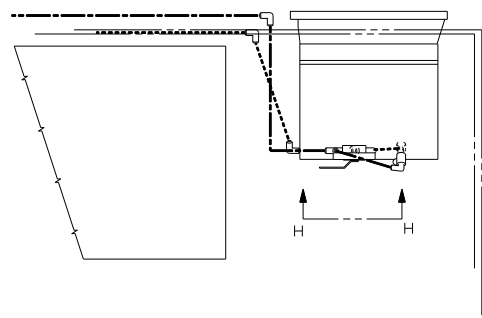
TITLE: WATER SYSTEM INSIL	
30 MET SCALE DRAWING	1 E
SHEET 2 OF 3	DWG NO 97346



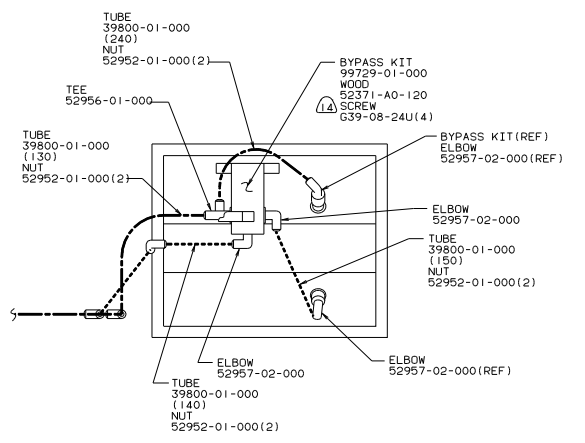
TWIN BED



VIEW G-G



QUEEN BED



VIEW H-H

WATER HEATER BYPASS OPTION

90 W/1CN33RD

TITLE		WATER SYSTEM INSTL	
DO NOT SCALE DIMENSIONS	SHEET 3 OF 3	REV	NO 97346