

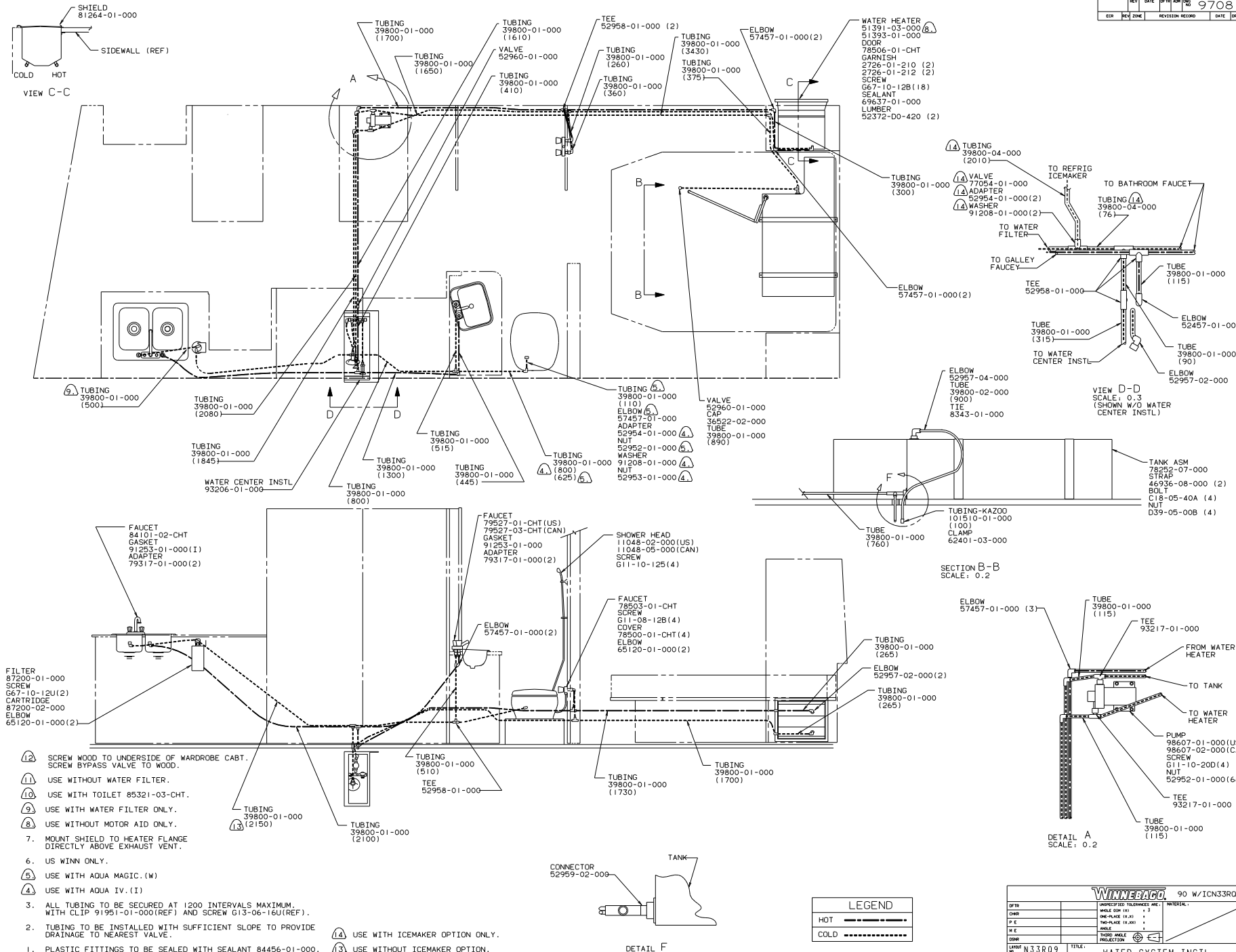
9. LOCATE CLAMP ON GALLEY CABINET FOR PROPER SLOPE.
8. SECURE VENT TUBES TO FLOOR.
7. VENT PIPE MUST BE PROJECT 51MM MIN. TO 64MM MAX ABOVE ROOF FOR PROPER FIT AND FUNCTION.
6. SEE DWG 61607-01-000 FOR INSTL OF GROMMET.
5. SEAL ALL AROUND SHOWER WITH SILICON 78474-01-000.
4. FOR CANADIAN UNITS EACH HOLDING TANK SHALL HAVE A CSA APPROVAL STAMPED NEAR IAPMO APPROVAL.
3. ALL PIPE AND FITTINGS TO BE ASSEMBLED WITH SOLVENT 4020-01-000.
2. SLOPE OF TRAP MUST BE 6 PER 300 MINIMUM.
1. SLOPE OF HORIZONTAL PIPING TO BE 6 PER 300 MINIMUM.

NOTES:
 Copyright 2009 Winnebago Industries, Inc.

WINNEBAGO 90 W/ICN33R0

DATE	UNSPECIFIED TOLERANCES ARE:	MATERIAL
DWG	WHOLE DIM 1/16"	
P/E	ONE-PLACE 1/32"	
T/C	TWO-PLACE 1/64"	
W/E	THIRD-PLACE 1/128"	
DRG	FOURTH-PLACE 1/256"	

LAYER: N33R00 TITLE: DRAINAGE SYSTEM INSTL
 97080
 2 REF: 94129



- NOTES:**
1. PLASTIC FITTINGS TO BE SEALED WITH SEALANT 84456-01-000.
 2. TUBING TO BE INSTALLED WITH SUFFICIENT SLOPE TO PROVIDE DRAINAGE TO NEAREST VALVE.
 3. ALL TUBING TO BE SECURED AT 1200 INTERVALS MAXIMUM. WITH CLIP 91951-01-000(REF) AND SCREW G13-06-16U(REF).
 4. USE WITH AQUA IV. (I)
 5. USE WITH AQUA MAGIC. (W)
 6. US WINN ONLY.
 7. MOUNT SHIELD TO HEATER FLANGE DIRECTLY ABOVE EXHAUST VENT.
 8. USE WITHOUT MOTOR AID ONLY.
 9. USE WITH WATER FILTER ONLY.
 10. USE WITH TOILET 85321-03-CHT.
 11. USE WITHOUT WATER FILTER.
 12. SCREW WOOD TO UNDERSIDE OF WARDROBE CABT. SCREW BYPASS VALVE TO WOOD.
 13. USE WITHOUT ICEMAKER OPTION.
 14. USE WITH ICEMAKER OPTION ONLY.

WINNEBAGO 90 W/ICN33R0

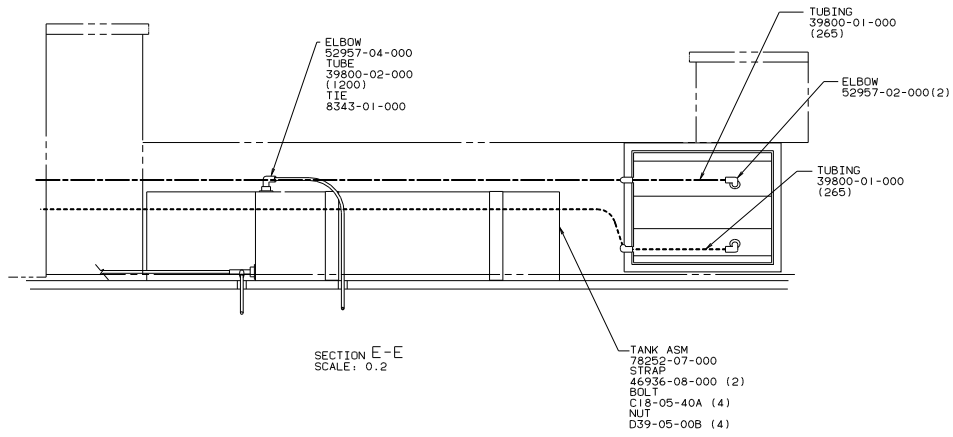
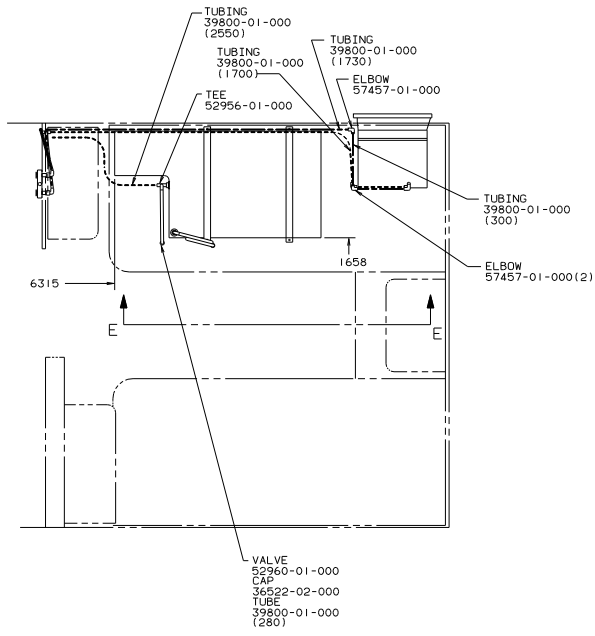
LEGEND
 HOT
 COLD

DETAILS:
 DFTD UNPROTECTED TOLERANCE AREA MATERIAL:
 WHOLE DIM (IN) ± .3
 ONE-PLACE (IN) ± .1
 TWO-PLACE (IN) ± .1
 HOLE ± .005
 THIRD-ANGLE PROJECTION

WINN N33R09 TITLE: WATER SYSTEM INSTL
 DIA # SCALE: 0.1 DO NOT SCALE DIMENSIONS SHEET 1 OF 3

ALL DIMENSIONS ARE IN MILLIMETERS

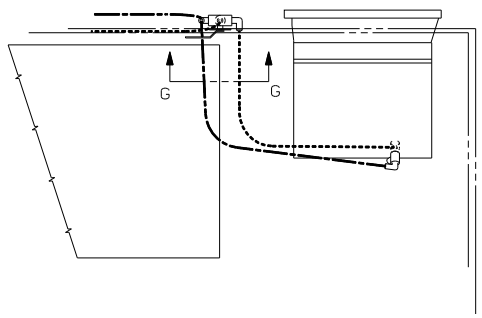
97081



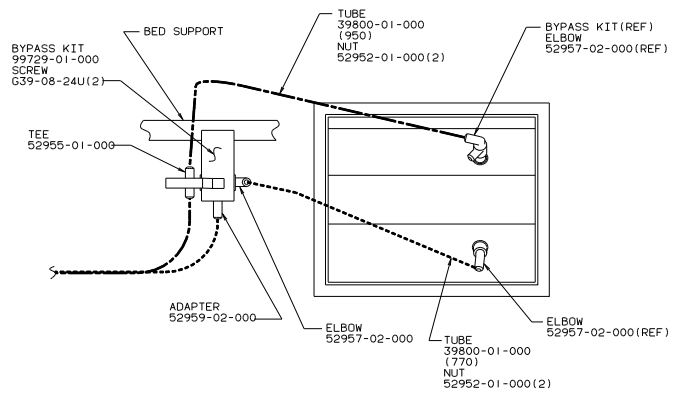
TWIN BED EXCHANGE

90 W/1CN33RD

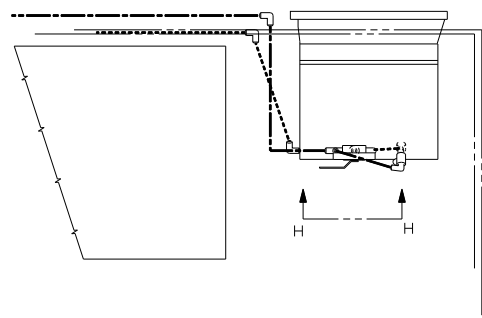
TITLE: WATER SYSTEM INSTL	
DO NOT SCALE DRAWING	97081
SHEET 2 of 3	1



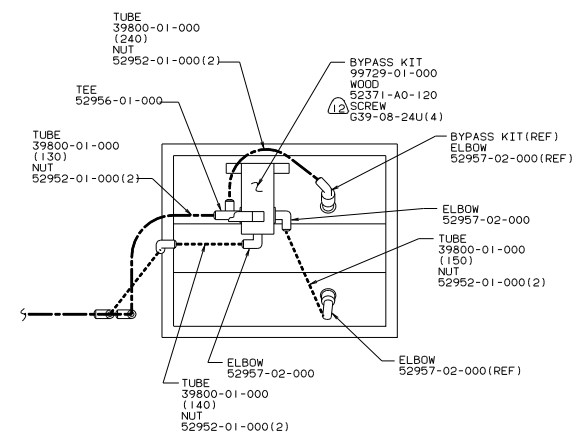
TWIN BED



VIEW G-G



QUEEN BED



VIEW H-H

WATER HEATER BYPASS OPTION

90 W/1CN33RD

TITLE		WATER SYSTEM INSTL	
DO NOT SCALE DRAWING	SHEET	OF	NO
3	3		97081