

TOILET  
 84738-01-000(US)  
 79565-01-000(CHT(AQUA MAGIC) (W))  
 85321-03-000(CHT(CHINA))  
 FLANGE  
 24676-01-000(US)  
 24676-02-000(CAN)  
 SCREW  
 87721-01-000(6)(CHINA)

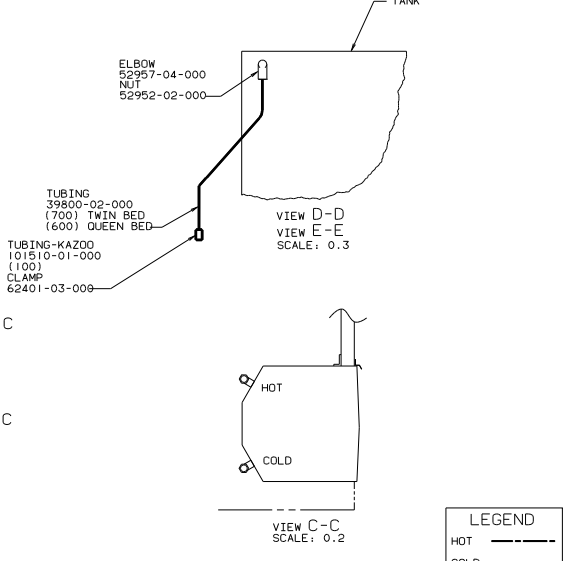
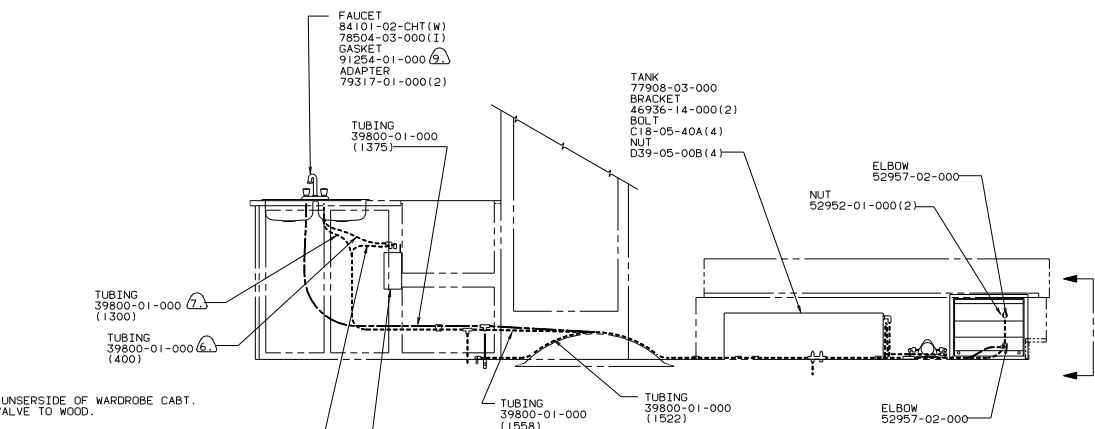
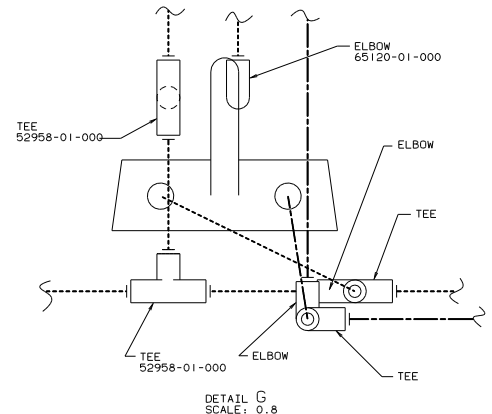
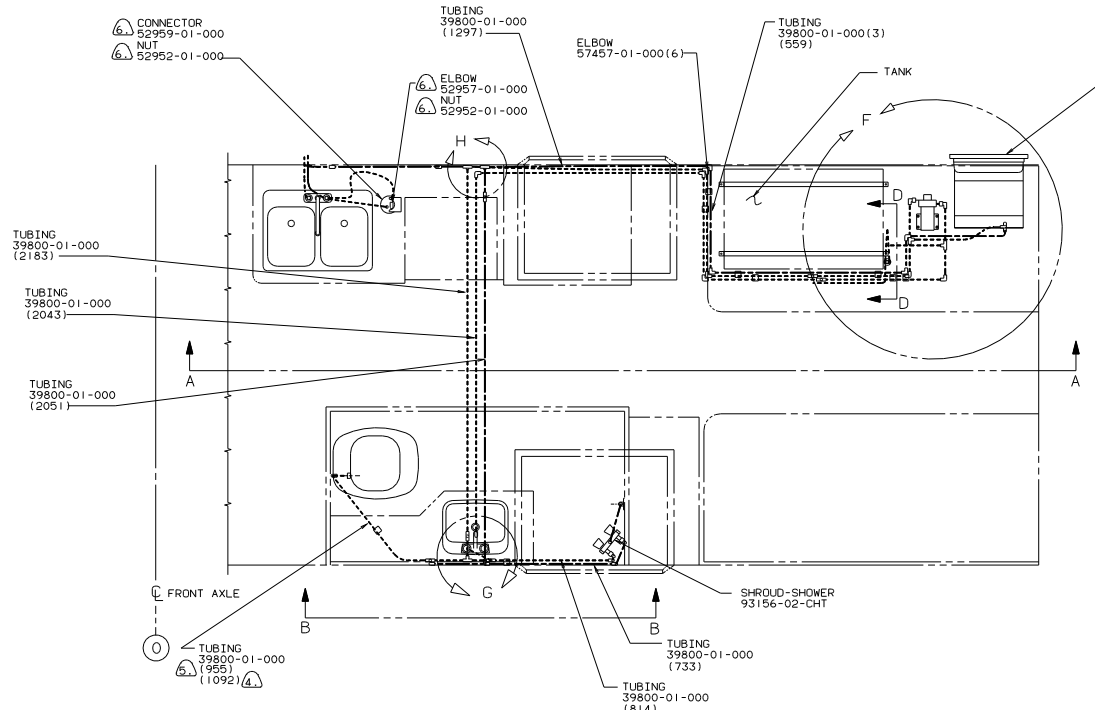
PLATE-COVER (9)  
 94346-04-000  
 STAPLE  
 5408-01-000  
 PIPE  
 10197-01-000(US)  
 10197-02-000(CAN)  
 284

TEE  
 10071-01-000  
 LUMBER  
 52371-B0-100  
 (ON EDGE)  
 LUMBER  
 52371-A0-100

PIPE  
 10195-01-000(US)  
 10195-02-000(CAN)  
 88  
 PLATE  
 94346-02-000

POSITION PLATE UNDER CARPET.  
 SEE DWG 93128-01-000 FOR INSTL OF TANK.  
 VENT PIPE MUST PROJECT 51MM MIN TO 64MM MAX ABOVE ROOF FOR PROPER FIT AND FUNCTION.  
 SEE DWG 61607-01-000 FOR INSTL OF GROMMET.  
 SEAL ALL AROUND SHOWER WITH SILICONE 78474-01-000.  
 FOR CANADIAN UNITS EACH HOLDING TANK SHALL HAVE A CSA APPROVAL STAMPED NEAR IAPMO APPROVAL.  
 ALL PIPE AND FITTINGS TO BE ASSEMBLED WITH SOLVENT 4020-01-000.  
 SLOPE OF TRAP MUST BE 6 PER 300 MINIMUM.  
 SLOPE OF HORIZONTAL PIPING TO BE 6 PER 300 MINIMUM.

WINNAPCO '89 W/ICN27RT	
DATE	UNSPECIFIED TOLERANCES ARE:
DRW	WHOLE DIM (M)
REV	ONE-PLACE (1X.X)
BY	TWO-PLACE (1X.XX)
CHK	ANGLE
APP	THIRD ANGLE PROJECTION
CORR	
LAYOUT N27R19 TITLE: DRAINAGE SYSTEM INSTL DIA OF SCALE: 0:1 300 MET SCALE DRAWING ALL DIMENSIONS ARE IN MILLIMETERS SHEET 1 OF 1	
94143	



- ⑩ SCREW WOOD TO UNERSIDE OF WARDROBE CABT. SCREW BYPASS VALVE TO WOOD.
- ⑨ USE WITH ITASCA ONLY.
- ⑧ MOUNT SHIELD TO HEATER FLANGE DIRECTLY ABOVE EXHAUST VENT.
- ⑦ USE WITHOUT WATER FILTER.
- ⑥ USE WITH WATER FILTER OPTION ONLY.
- ⑤ USE WITH AQUA MAGIC.
- ④ USE WITH AQUA IV.

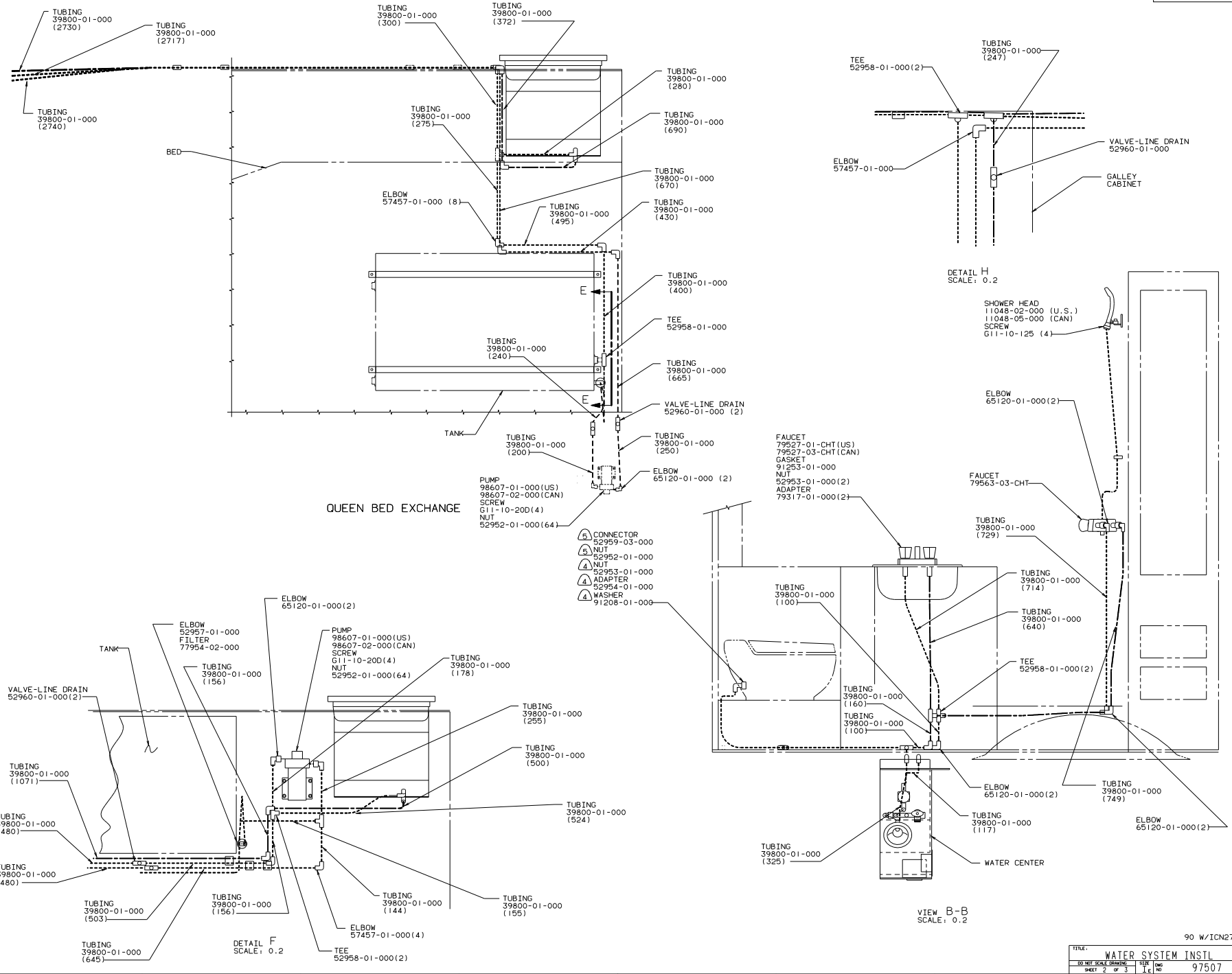
3. ALL TUBING TO BE SECURED AT 1200 INTERVALS MAXIMUM. WITH CLIP 91951-01-000 (REF) AND SCREW G13-06-16U (REF).
2. TUBING TO BE INSTALLED WITH SUFFICIENT SLOPE TO PROVIDE DRAINAGE TO NEAREST VALVE.
1. PLASTICS FITTINGS TO BE SEALED WITH SEALANT 84456-01-000.

LEGEND	
—	HOT
- - -	COLD

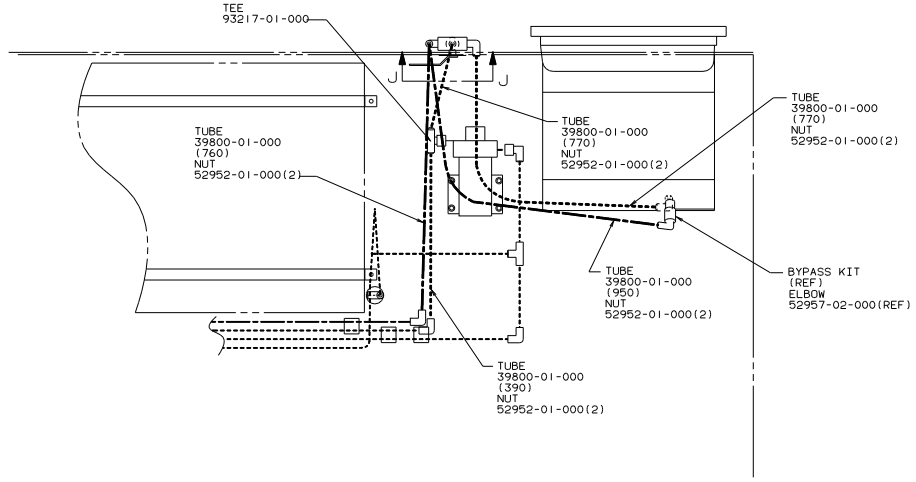
**WINNERAGO** 90 W/1CN27RT

DATE	UNSPECIFIED TOLERANCES ARE:	MATERIAL
CHRP	WHOLE DIM (IN)	
FPE	ONE-PLACE (IN.XI)	
FLE	TWO-PLACE (IN.XXX)	
CDPR	THIRD ANGLE PREDICTION	

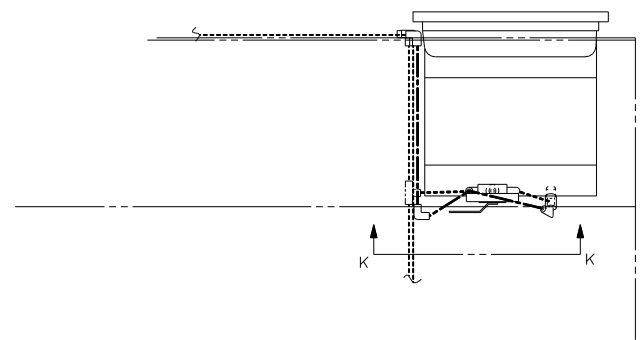
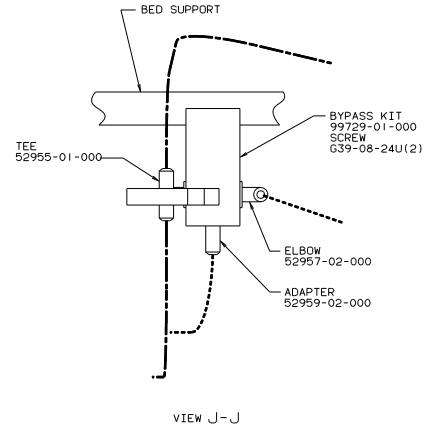
LANE# N27R10 TITLE: WATER SYSTEM INSTL  
 DIA # SCALE: 0.1 30.000 SCALE DRAWING SIZE: 11.6  
 ALL DIMENSIONS ARE IN MILLIMETERS SHEET 1 OF 3 97507



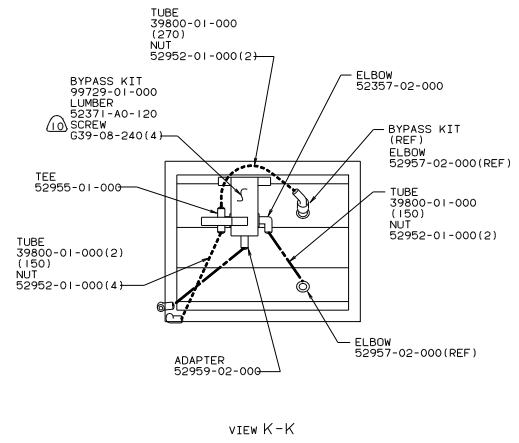
TITLE: WATER SYSTEM INSTL		97507	
30 MIL SCALE DRAWING	SHEET 2 OF 3	REV 1	DATE



TWIN BED



QUEEN BED



WATER HEATER BYPASS OPTION

PRELIMINARY		90 W/ICN27RT	
TITLE: WATER SYSTEM INSTL			
30 NET SCALE DRAWING	3	3	1
SHEET	3	OF	3
DATE	11/10	DESIGN	11/10
			97507