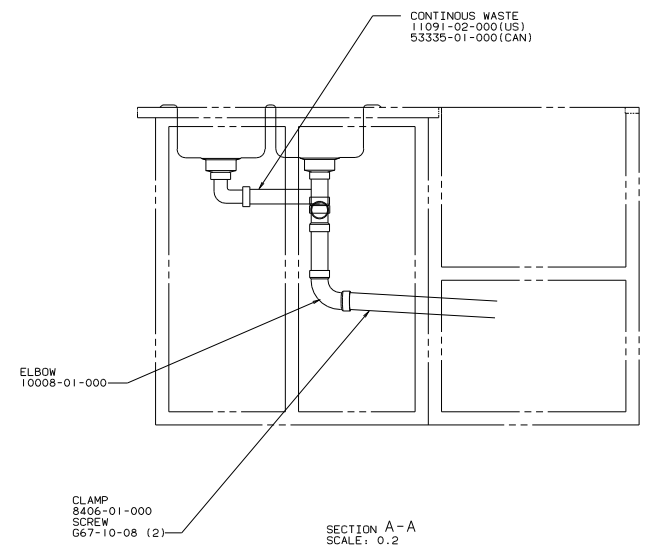
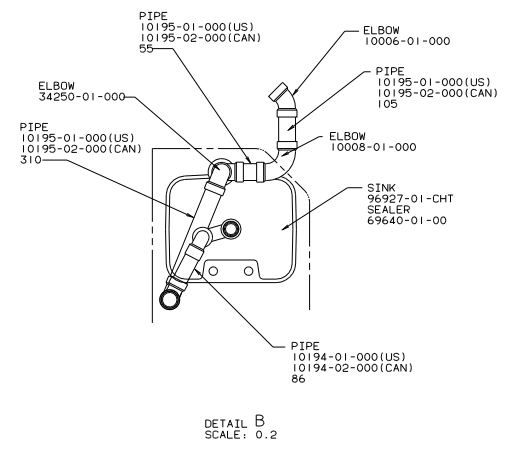
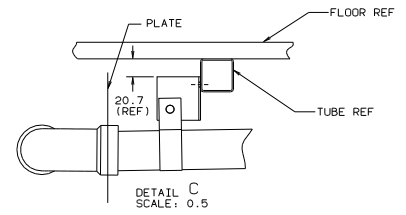
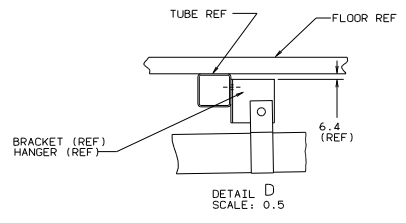
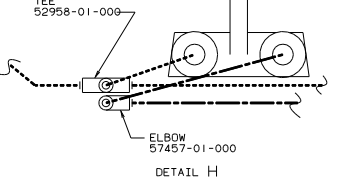
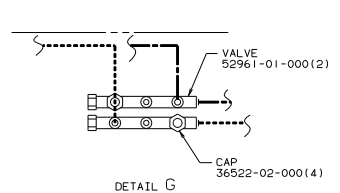
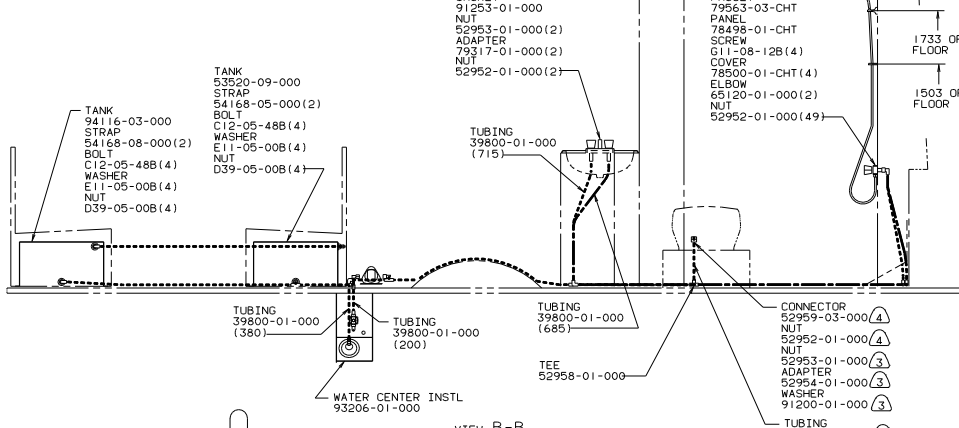
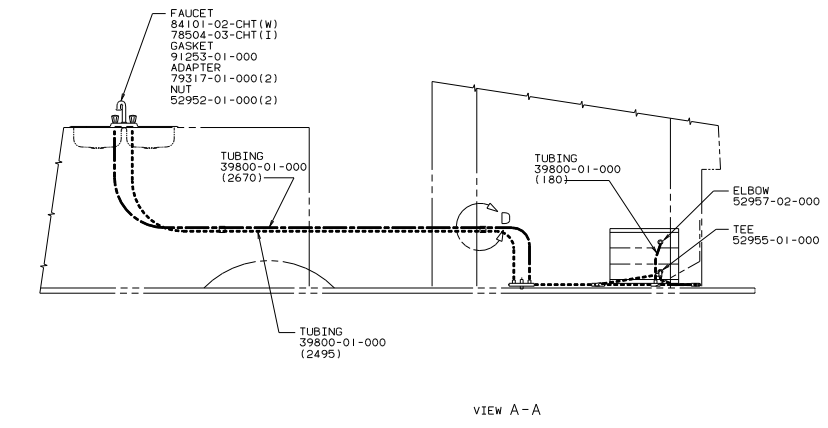
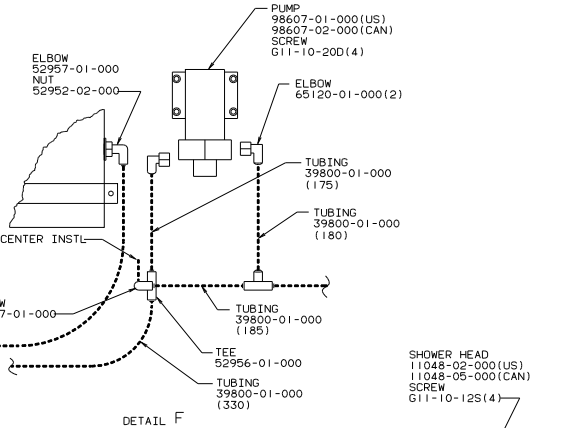
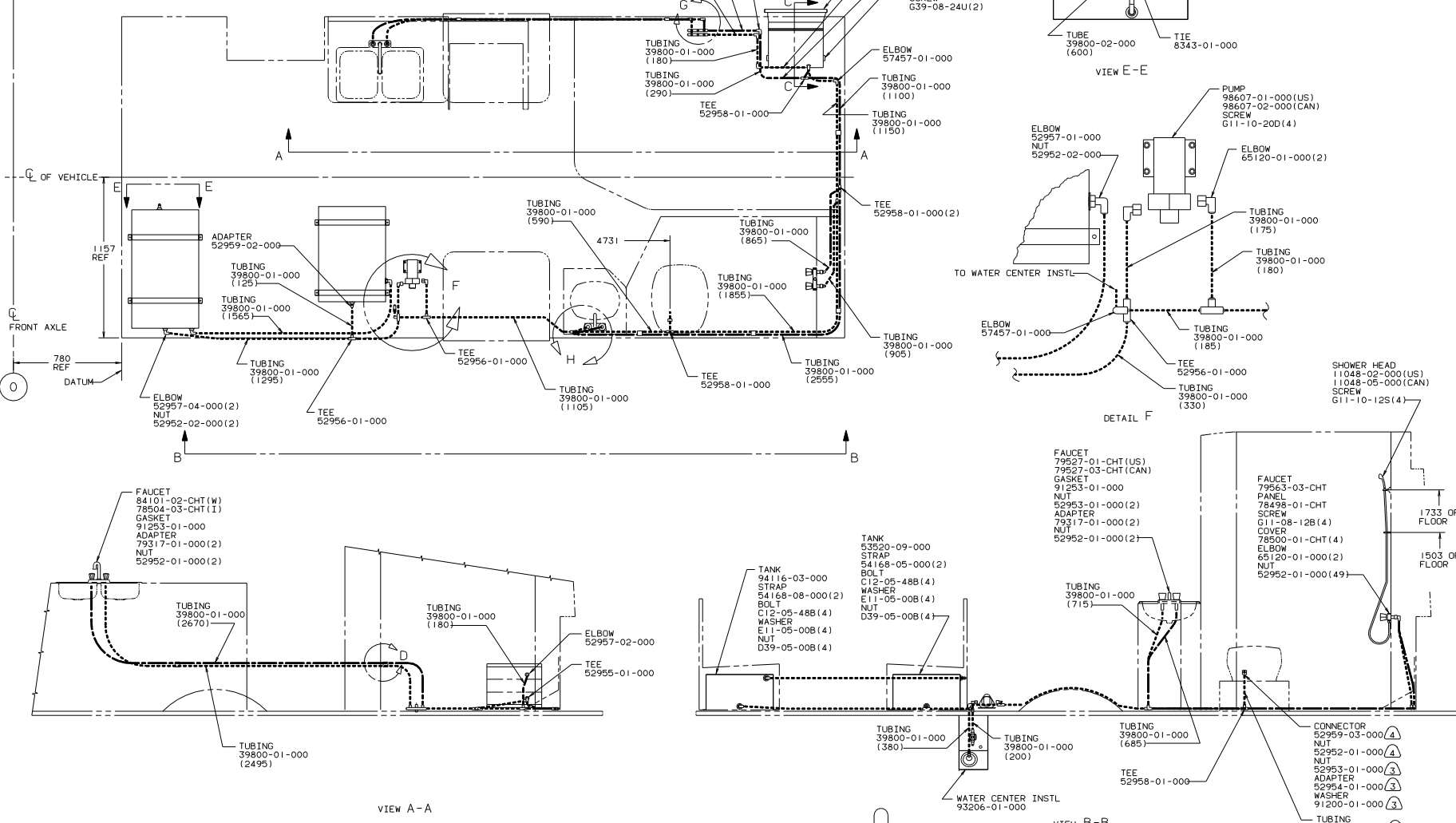
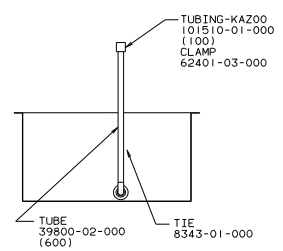
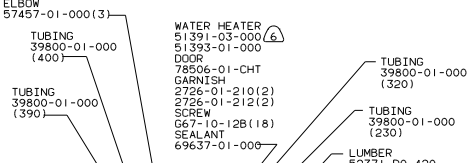
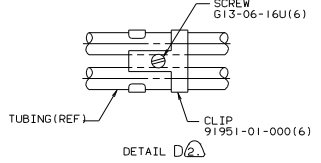
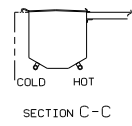


- ⑩ SECURE VENT TUBE TO FLOOR.
- ⑨ SEE DWG 93128-01-000 FOR INSTL. OF TANK.
- ⑧ VENT PIPE MUST PROJECT 51MM TO 64MM MAX ABOVE ROOF FOR PROPER FIT AND FUNCTION.
- ⑦ SEE DWG 61607-01-000 FOR INSTL. OF GROMMET.
- 6. SEAL ALL AROUND BATHTUB WITH SILICONE 78474-01-000.
- 5. FOR CANADIAN UNITS EACH HOLDING TANK SHALL HAVE A CSA APPROVAL STAMPED NEAR THE IAPMO APPROVAL.
- 4. ALL EXTERIOR OPENINGS AROUND PIPE TO BE SEALED WITH 69637-01-000.
- 3. ALL PIPE AND FITTINGS TO BE ASSEMBLED WITH SOLVENT 4020-01-000.
- 2. SLOPE OF TRAP MUST BE 6 PER 300 MINIMUM.
- 1. SLOPE OF HORIZONTAL PIPING TO BE 6 PER 300 MINIMUM.

WINNEMAGO		90 W/1CN25RC	
DATE	UNSPECIFIED TOLERANCES ARE:	MATERIAL:	
DWG	UNLESS OTHERWISE SPECIFIED	ONE-PLACE (1X.1)	
P/E	0.125 (1/8)	TWO-PLACE (1X.25)	
REV	0.25 (1/4)	THREE-PLACE (1X.375)	
CDR	0.5 (1/2)	FOUR-PLACE (1X.75)	
	1.0 (1)	FIVE-PLACE (1X.125)	
	2.0 (2)	SIX-PLACE (1X.25)	
	3.0 (3)	SEVEN-PLACE (1X.375)	
	4.0 (4)	EIGHT-PLACE (1X.5)	
	5.0 (5)	NINE-PLACE (1X.75)	
	6.0 (6)	TEN-PLACE (1X.125)	
	7.0 (7)	ELEVEN-PLACE (1X.1875)	
	8.0 (8)	TWELVE-PLACE (1X.25)	
	9.0 (9)	THIRTEEN-PLACE (1X.375)	
	10.0 (10)	FOURTEEN-PLACE (1X.5)	
	11.0 (11)	FIFTEEN-PLACE (1X.75)	
	12.0 (12)	SIXTEEN-PLACE (1X.125)	
	13.0 (13)	SEVENTEEN-PLACE (1X.1875)	
	14.0 (14)	EIGHTEEN-PLACE (1X.25)	
	15.0 (15)	NINETEEN-PLACE (1X.375)	
	16.0 (16)	TWENTY-PLACE (1X.5)	
	17.0 (17)	TWENTY-ONE-PLACE (1X.75)	
	18.0 (18)	TWENTY-TWO-PLACE (1X.125)	
	19.0 (19)	TWENTY-THREE-PLACE (1X.1875)	
	20.0 (20)	TWENTY-FOUR-PLACE (1X.25)	
	21.0 (21)	TWENTY-FIVE-PLACE (1X.375)	
	22.0 (22)	TWENTY-SIX-PLACE (1X.5)	
	23.0 (23)	TWENTY-SEVEN-PLACE (1X.75)	
	24.0 (24)	TWENTY-EIGHT-PLACE (1X.125)	
	25.0 (25)	TWENTY-NINE-PLACE (1X.1875)	
	26.0 (26)	THIRTY-PLACE (1X.25)	
	27.0 (27)	THIRTY-ONE-PLACE (1X.375)	
	28.0 (28)	THIRTY-TWO-PLACE (1X.5)	
	29.0 (29)	THIRTY-THREE-PLACE (1X.75)	
	30.0 (30)	THIRTY-FOUR-PLACE (1X.125)	
	31.0 (31)	THIRTY-FIVE-PLACE (1X.1875)	
	32.0 (32)	THIRTY-SIX-PLACE (1X.25)	
	33.0 (33)	THIRTY-SEVEN-PLACE (1X.375)	
	34.0 (34)	THIRTY-EIGHT-PLACE (1X.5)	
	35.0 (35)	THIRTY-NINE-PLACE (1X.75)	
	36.0 (36)	FORTY-PLACE (1X.125)	
	37.0 (37)	FORTY-ONE-PLACE (1X.1875)	
	38.0 (38)	FORTY-TWO-PLACE (1X.25)	
	39.0 (39)	FORTY-THREE-PLACE (1X.375)	
	40.0 (40)	FORTY-FOUR-PLACE (1X.5)	
	41.0 (41)	FORTY-FIVE-PLACE (1X.75)	
	42.0 (42)	FORTY-SIX-PLACE (1X.125)	
	43.0 (43)	FORTY-SEVEN-PLACE (1X.1875)	
	44.0 (44)	FORTY-EIGHT-PLACE (1X.25)	
	45.0 (45)	FORTY-NINE-PLACE (1X.375)	
	46.0 (46)	FIFTY-PLACE (1X.5)	
	47.0 (47)	FIFTY-ONE-PLACE (1X.75)	
	48.0 (48)	FIFTY-TWO-PLACE (1X.125)	
	49.0 (49)	FIFTY-THREE-PLACE (1X.1875)	
	50.0 (50)	FIFTY-FOUR-PLACE (1X.25)	
	51.0 (51)	FIFTY-FIVE-PLACE (1X.375)	
	52.0 (52)	FIFTY-SIX-PLACE (1X.5)	
	53.0 (53)	FIFTY-SEVEN-PLACE (1X.75)	
	54.0 (54)	FIFTY-EIGHT-PLACE (1X.125)	
	55.0 (55)	FIFTY-NINE-PLACE (1X.1875)	
	56.0 (56)	SIXTY-PLACE (1X.25)	
	57.0 (57)	SIXTY-ONE-PLACE (1X.375)	
	58.0 (58)	SIXTY-TWO-PLACE (1X.5)	
	59.0 (59)	SIXTY-THREE-PLACE (1X.75)	
	60.0 (60)	SIXTY-FOUR-PLACE (1X.125)	
	61.0 (61)	SIXTY-FIVE-PLACE (1X.1875)	
	62.0 (62)	SIXTY-SIX-PLACE (1X.25)	
	63.0 (63)	SIXTY-SEVEN-PLACE (1X.375)	
	64.0 (64)	SIXTY-EIGHT-PLACE (1X.5)	
	65.0 (65)	SIXTY-NINE-PLACE (1X.75)	
	66.0 (66)	SEVENTY-PLACE (1X.125)	
	67.0 (67)	SEVENTY-ONE-PLACE (1X.1875)	
	68.0 (68)	SEVENTY-TWO-PLACE (1X.25)	
	69.0 (69)	SEVENTY-THREE-PLACE (1X.375)	
	70.0 (70)	SEVENTY-FOUR-PLACE (1X.5)	
	71.0 (71)	SEVENTY-FIVE-PLACE (1X.75)	
	72.0 (72)	SEVENTY-SIX-PLACE (1X.125)	
	73.0 (73)	SEVENTY-SEVEN-PLACE (1X.1875)	
	74.0 (74)	SEVENTY-EIGHT-PLACE (1X.25)	
	75.0 (75)	SEVENTY-NINE-PLACE (1X.375)	
	76.0 (76)	EIGHTY-PLACE (1X.5)	
	77.0 (77)	EIGHTY-ONE-PLACE (1X.75)	
	78.0 (78)	EIGHTY-TWO-PLACE (1X.125)	
	79.0 (79)	EIGHTY-THREE-PLACE (1X.1875)	
	80.0 (80)	EIGHTY-FOUR-PLACE (1X.25)	
	81.0 (81)	EIGHTY-FIVE-PLACE (1X.375)	
	82.0 (82)	EIGHTY-SIX-PLACE (1X.5)	
	83.0 (83)	EIGHTY-SEVEN-PLACE (1X.75)	
	84.0 (84)	EIGHTY-EIGHT-PLACE (1X.125)	
	85.0 (85)	EIGHTY-NINE-PLACE (1X.1875)	
	86.0 (86)	NINETY-PLACE (1X.25)	
	87.0 (87)	NINETY-ONE-PLACE (1X.375)	
	88.0 (88)	NINETY-TWO-PLACE (1X.5)	
	89.0 (89)	NINETY-THREE-PLACE (1X.75)	
	90.0 (90)	NINETY-FOUR-PLACE (1X.125)	
	91.0 (91)	NINETY-FIVE-PLACE (1X.1875)	
	92.0 (92)	NINETY-SIX-PLACE (1X.25)	
	93.0 (93)	NINETY-SEVEN-PLACE (1X.375)	
	94.0 (94)	NINETY-EIGHT-PLACE (1X.5)	
	95.0 (95)	NINETY-NINE-PLACE (1X.75)	
	96.0 (96)	HUNDRED-PLACE (1X.125)	
	97.0 (97)	HUNDRED-ONE-PLACE (1X.1875)	
	98.0 (98)	HUNDRED-TWO-PLACE (1X.25)	
	99.0 (99)	HUNDRED-THREE-PLACE (1X.375)	
	100.0 (100)	HUNDRED-FOUR-PLACE (1X.5)	





LEGEND

WATER	—————
HOT	-----
COLD	.....

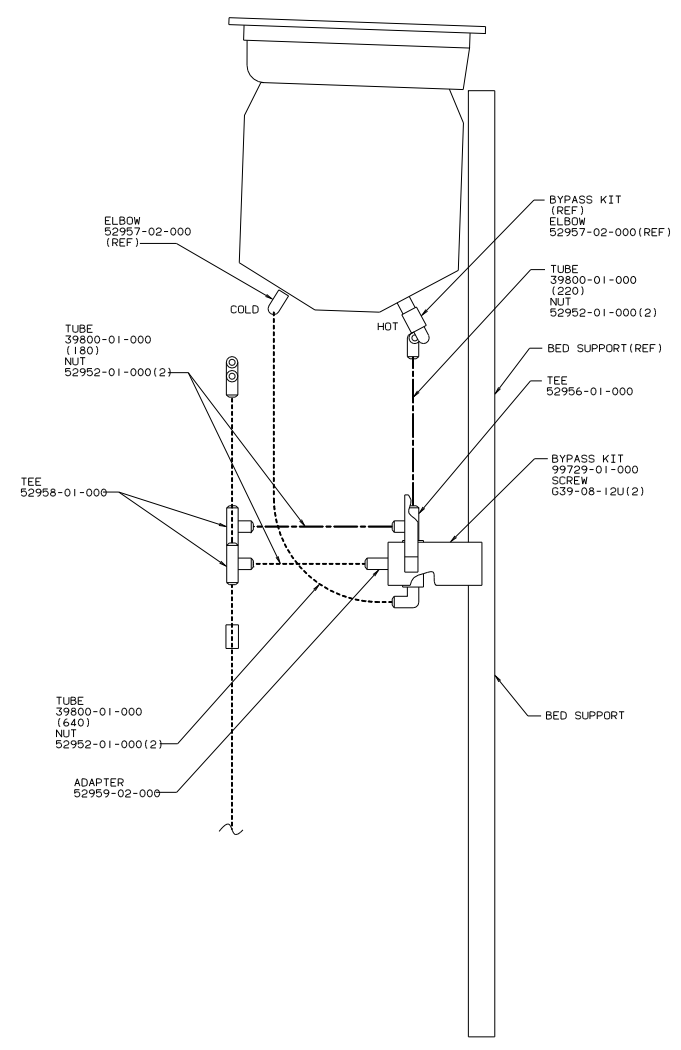
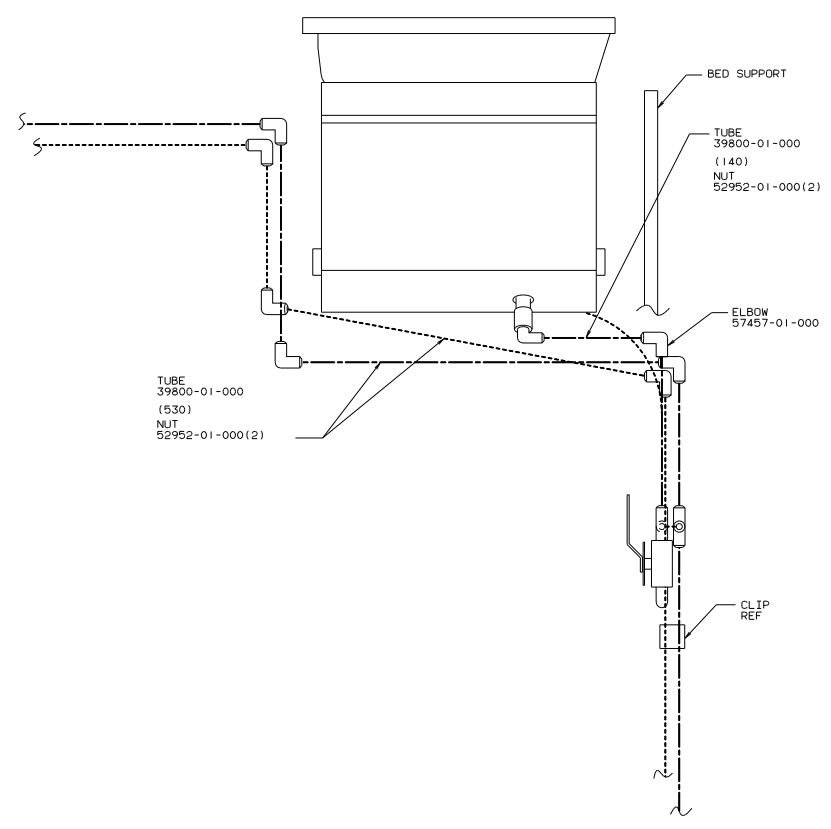
- NOTES:
- SEE SHEET 2 FOR WATER HEATER BYPASS OPTION.
  - USE WITHOUT MOTOR AID ONLY.
  - PLASTIC FITTINGS TO BE SEALED WITH SEALANT.
  - USE WITH AQUA MAGIC.
  - USE WITH AQUA IV.
  - ALL TUBING TO BE SECURED AT 1200 INTERVALS MAXIMUM.
  - TUBING TO BE INSTALLED WITH SUFFICIENT SLOPE TO PROVIDE DRAINAGE TO NEAREST VALVE.

WINNERCO 90 W/ICN25RC

DATE	UNSPECIFIED TOLERANCES ARE:	MATERIAL
DRWD	WHOLE DIM. 1/10	ONE-PLACE 1/32
P.T.E.	ONE-PLACE 1/32	ANGLE
H.C.	THIRD ANGLE PROJECTION	
DRWD		

WATER SYSTEM INSTL

96804



WATER HEATER BYPASS OPTION

90 W/ICN25RC

TITLE		WATER SYSTEM INSTL	
30 NET SCALE DRAWING	REV	DATE	NO
SHEET 2 OF 2	1		96804