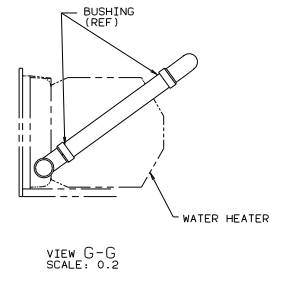
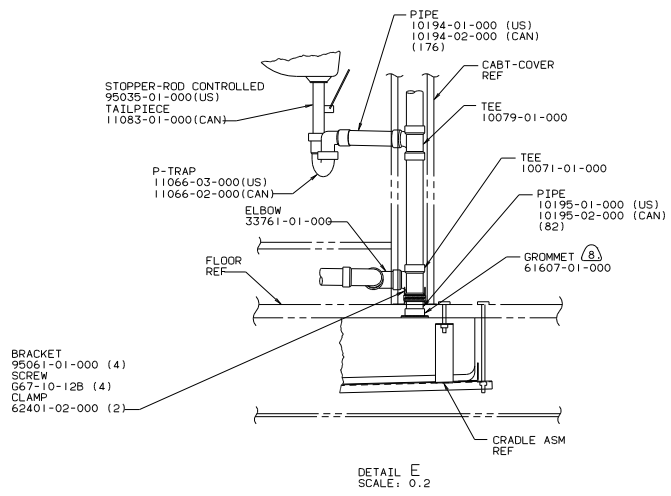
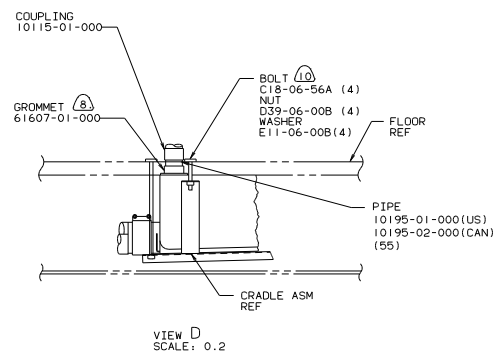
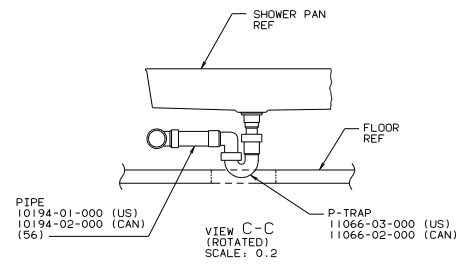
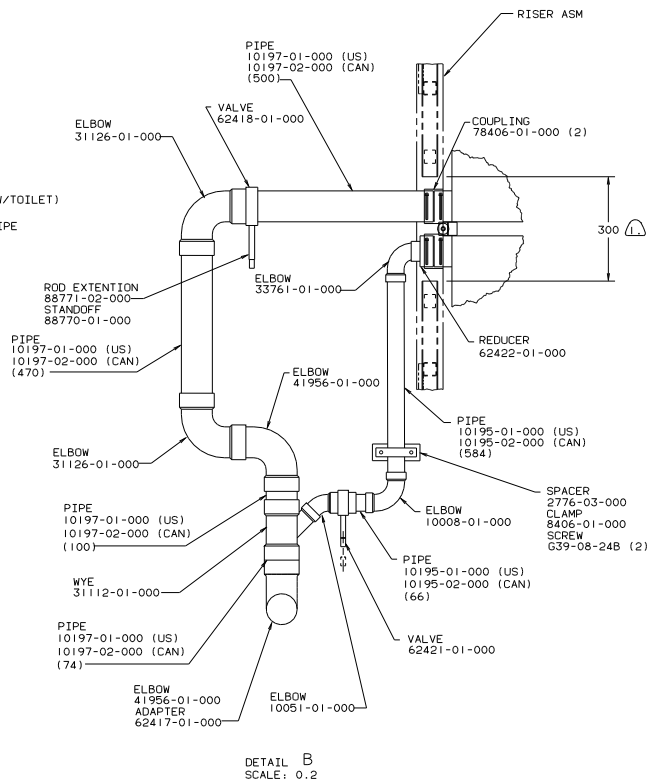
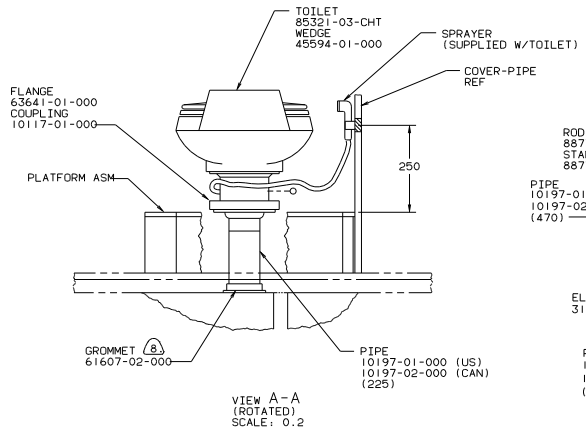


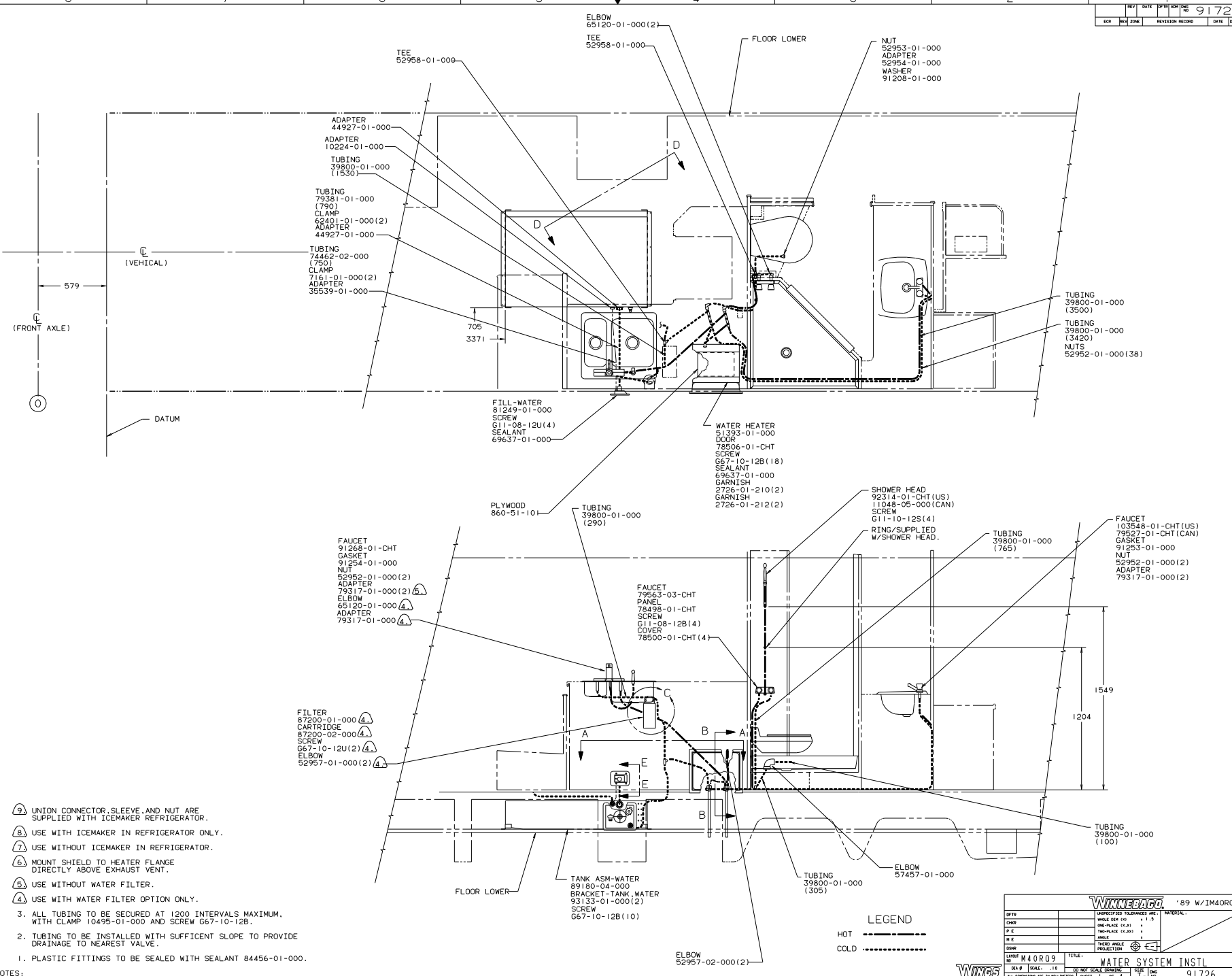
- 1. FOAM TO BE SANDWICHED BETWEEN TANKS TO PROVIDE SPACING.
- 2. BOLT HEADS TO BE UNDER CARPET AND PAD.
- 3. VENT PIPE MUST PROJECT 51 MM MIN AND 63.5 MM MAX ABOVE ROOF FOR PROPER FIT AND FUNCTION.
- 4. SEE DWG 61607-01-000 FOR INSTL OF GROMMET.
- 5. SEAL ALL AROUND SHOWER WITH SILICONE 78474-01-CHT.
- 6. FOR CAN UNITS EACH HOLDING TANK SHALL HAVE A CSA APPROVAL STAMPED NEAR THE IAPMO APPROVAL.
- 7. EXPOSED PIPE ABOVE ROOF TO BE PAINTED WITH 37163-01-000.
- 8. ALL EXTERIOR OPENINGS AROUND PIPE TO BE SEALED WITH 69637-01-000.
- 9. ALL PIPE AND FITTINGS TO BE ASSEMBLED WITH SOLVENT 4020-01-000.
- 10. SLOPE OF TRAP ARM MUST BE 6 PER 300.
- 11. SLOPE OF HORIZONTAL PIPING TO BE 6 PER 305 MIN.

NOTES:

WINNEBAGO '89 W/IJM40RQ	
DATE	UNSPECIFIED TOLERANCES ARE:
DWG	FRAMES 1:1
P/E	ONE-PIECE 1:1
M/E	TWO-PIECE 1:1
DATE	THIRD-PIECE 1:1
DWG	PROJECTION
LAYER NO	40RQ9
TITLE	DRAINAGE SYSTEM INSTL
DATE	SCALE: 0.1
ALL DIMENSIONS ARE IN MILLIMETERS	SHEET 1 OF 2
FILE NO	91321



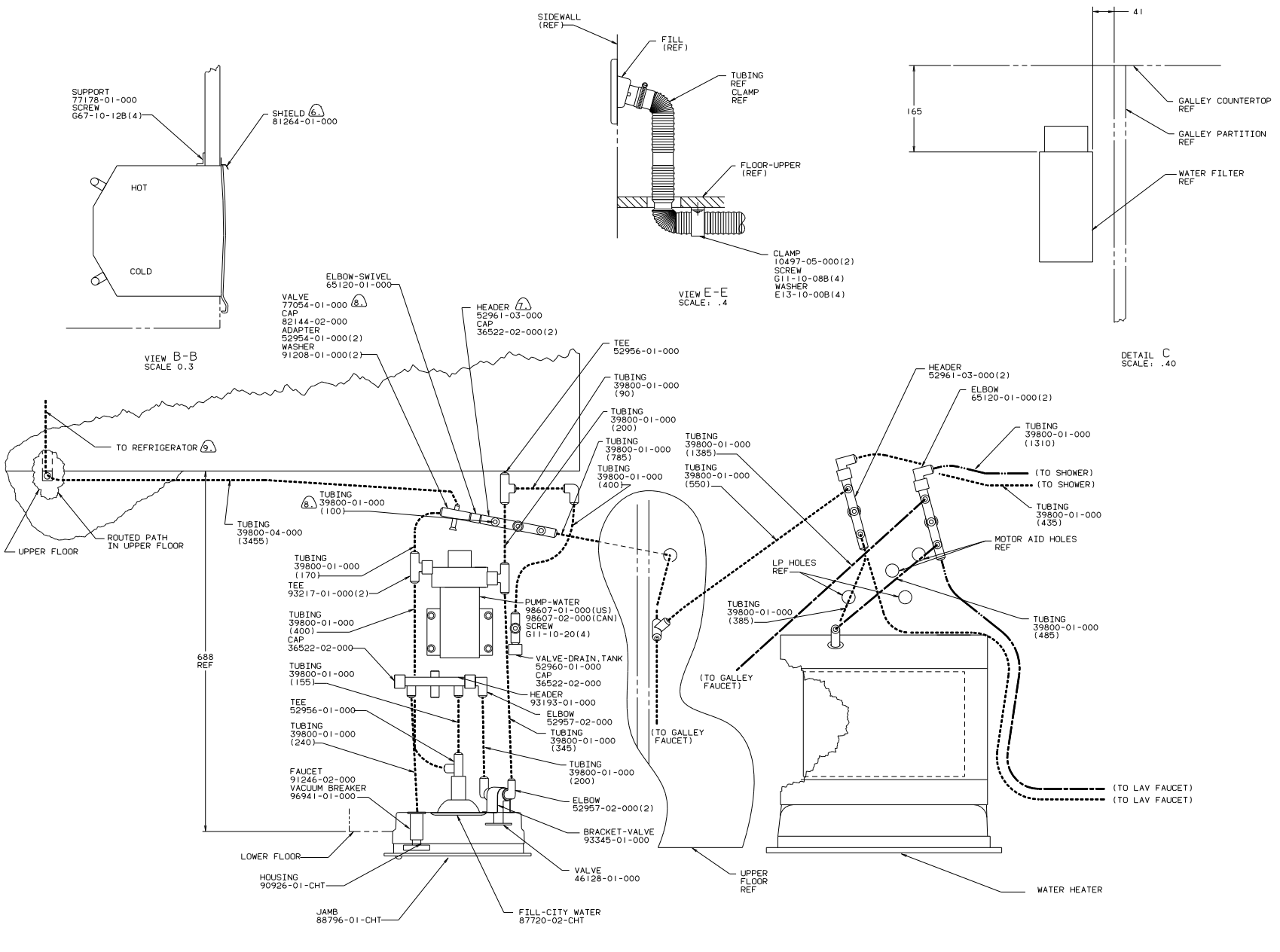
TOP CHANNEL MAY BE REMOVED DURING INSTALLATION.



- ④ UNION CONNECTOR, SLEEVE AND NUT ARE SUPPLIED WITH ICEMAKER REFRIGERATOR.
 - ⑤ USE WITH ICEMAKER IN REFRIGERATOR ONLY.
 - ⑦ USE WITHOUT ICEMAKER IN REFRIGERATOR.
 - ⑥ MOUNT SHIELD TO HEATER FLANGE DIRECTLY ABOVE EXHAUST VENT.
 - ③ USE WITHOUT WATER FILTER.
 - ④ USE WITH WATER FILTER OPTION ONLY.
3. ALL TUBING TO BE SECURED AT 1200 INTERVALS MAXIMUM. WITH CLAMP 10495-01-000 AND SCREW G67-10-12B.
 2. TUBING TO BE INSTALLED WITH SUFFICIENT SLOPE TO PROVIDE DRAINAGE TO NEAREST VALVE.
 1. PLASTIC FITTINGS TO BE SEALED WITH SEALANT 84456-01-000.

LEGEND
 HOT ———
 COLD - - - - -

WINNEMAGO '89 W/IM40R0	
DATE	UNSPECIFIED TOLERANCES ARE:
DRW	WHOLE DIM (IN) 1:15
BY	ONE-PLACE (IN.XI) 1:15
CHK	TWO-PLACE (IN.XXX) 1:15
DATE	ANGLE
CDR	THIRD ANGLE PROJECTION
LANO# M40R09	TITLE: WATER SYSTEM INSTL
SCALE: 1:10	DO NOT SCALE DRAWING
SHEET 1 OF 4	SIZE 11E
ALL DIMENSIONS ARE IN MILLIMETERS	91726



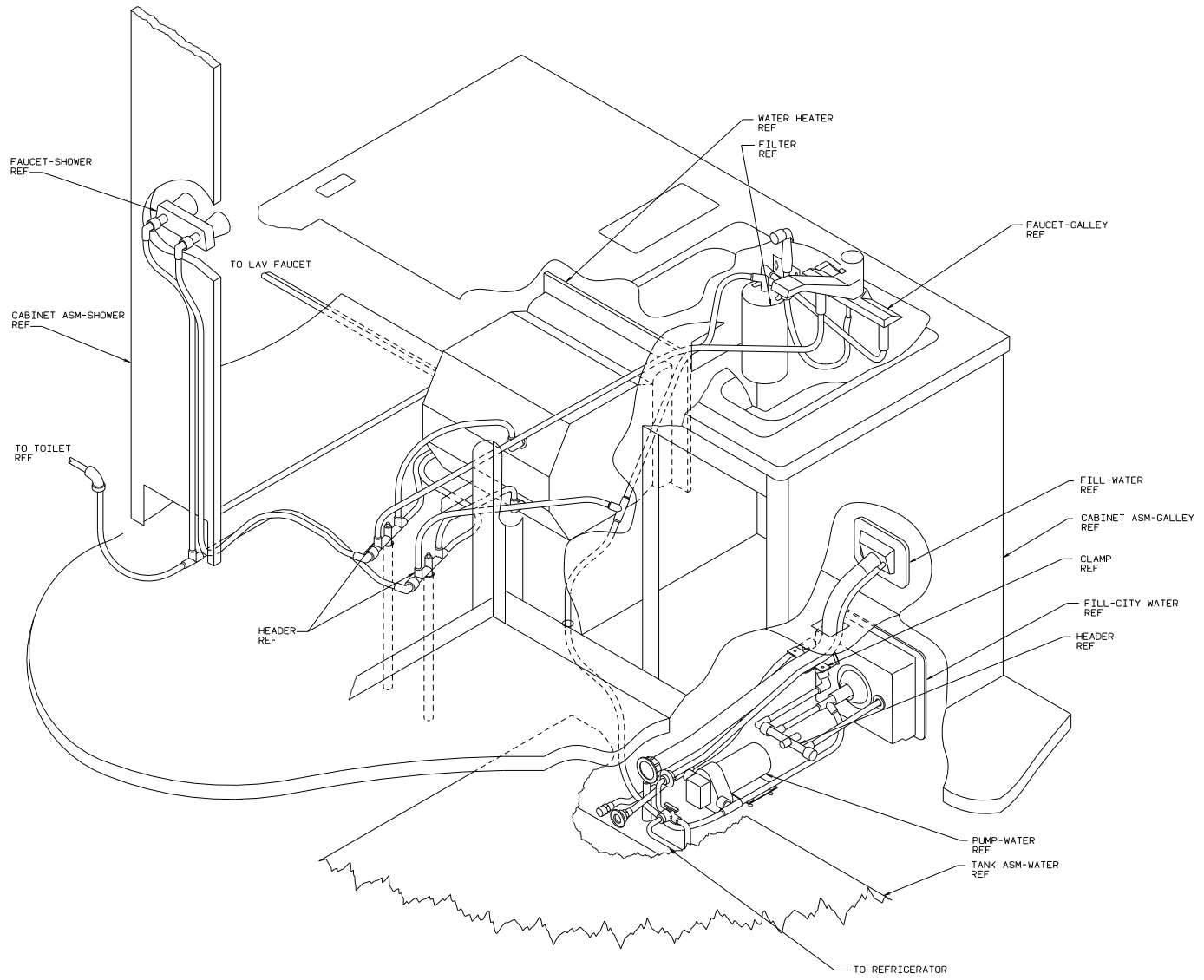
VIEW A-A
SCALE 0.4

VIEW B-B
SCALE 0.3

VIEW E-E
SCALE: .4

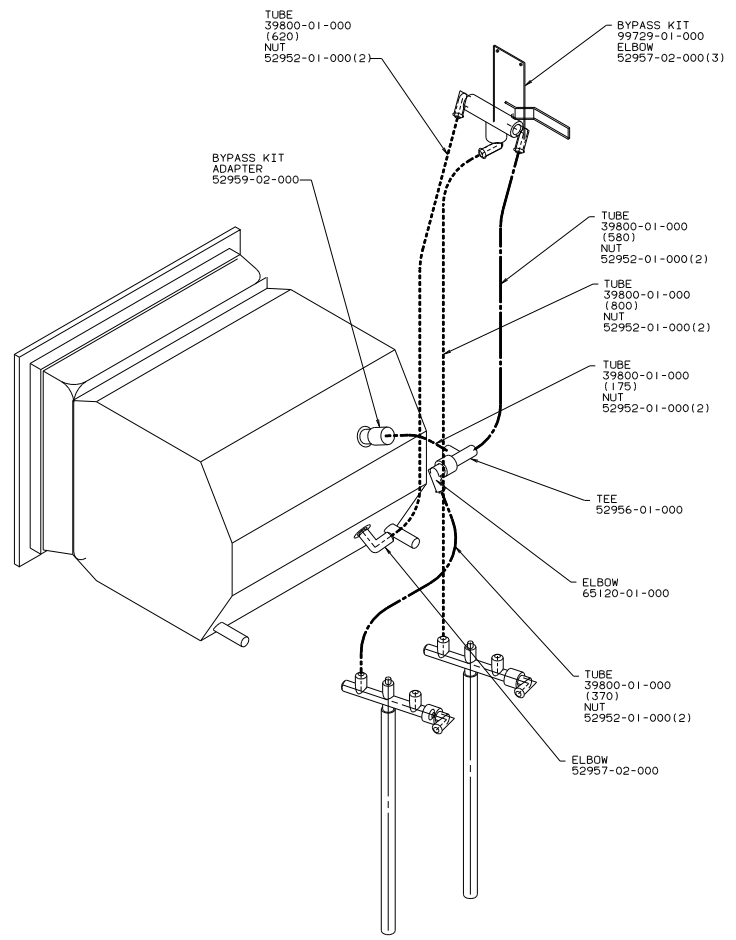
DETAIL C
SCALE: .40

TITLE: WATER SYSTEM INSTL	
30 NET SCALE DRAWING	SIZE 11x14
SHEET 2 OF 4	DATE 11/01/09
91726	



VIEW D-D
SCALE: .30

TITLE: WATER SYSTEM INSTL	
30 NET SCALE DRAWING	REV 1.0
SHEET 3 OF 4	DATE 11/11/09
91726	



WITH BYPASS VALVE

TITLE		WATER SYSTEM INSTL	
30 MIL SCALE DRAWING	SIZE	DATE	NO
SHEET 4 of 4	1 1/2"		91726