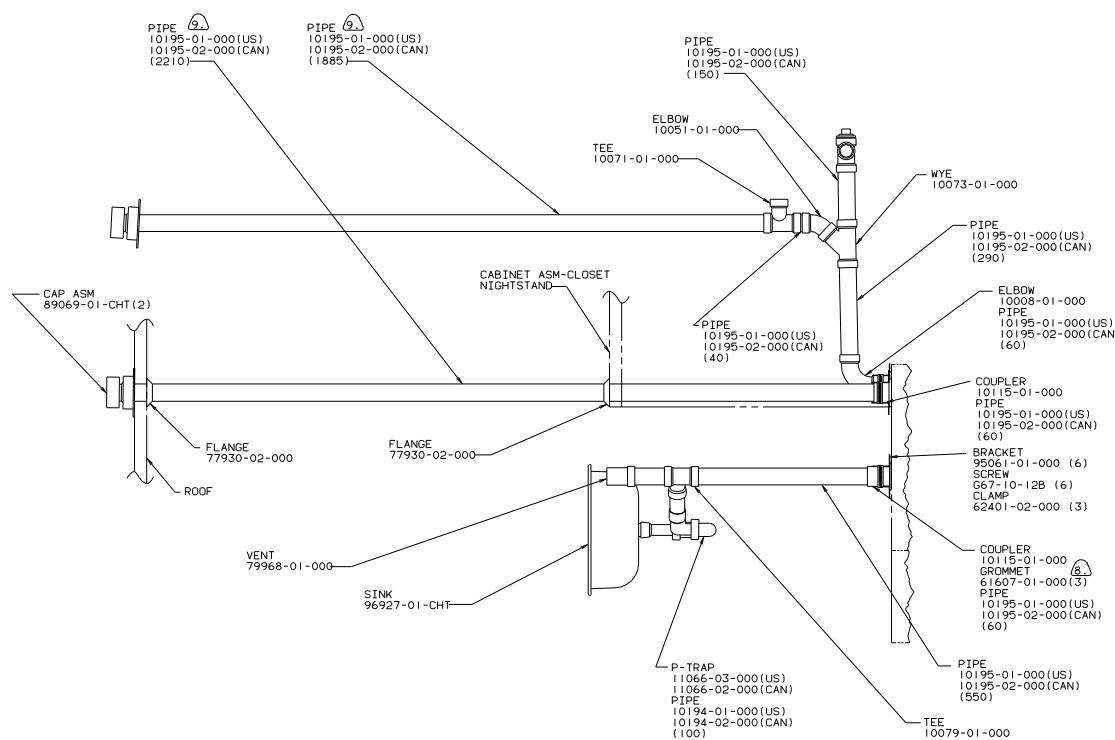


- (12) PREDRILL 5.0 DIAMETER HOLE BEFORE INSERTING SCREW.
- (11) DO NOT USE WITH WASHER AND DRYER.
- (10) USE WITH WASHER AND DRYER.
- (9) VENT PIPE MUST PROJECT 51 MIN AND 63 MAX ABOVE ROOF FOR PROPER FIT AND FUNCTION.
- (8) SEE DWG 61607-01-000 FOR INSTL OF GROMMET.

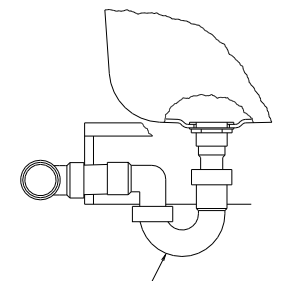
7. SEAL ALL AROUND SHOWER WITH SILICONE 78474-01-CHT.
6. FOR CANADIAN UNITS EACH HOLDING TANK SHALL HAVE A CSA APPROVAL STAMPED NEAR THE IAPMO APPROVAL.
5. EXPOSED PIPE ABOVE ROOF TO BE PAINTED WITH 37163-01-000.
4. ALL EXTERIOR OPENINGS AROUND PIPE TO BE SEALED WITH 69637-01-000.
3. ALL PIPE AND FITTINGS TO BE ASSEMBLED WITH SOLVENT 4020-01-000.
2. SLOPE OF TRAP ARM MUST BE 6 PER 305.
1. SLOPE OF HORIZONTAL PIPING TO BE 6 PER 305 MIN.

NOTES:

WINNEDAGO		90 W/1CM34RA
DATE	UNSPECIFIED TOLERANCES ARE:	MATERIAL
CHRP	WHOLE DIM (IN)	± 1.5
PIPE	ONE-PLACE (IN.XI)	±
FLC	TWO-PLACE (IN.XXX)	±
W/E	ANGLE	±
CDR	THRU-HOLE PROJECTION	±
LANST NO: M34RA0	TITLE: DRAINAGE SYSTEM INSTL	DRG NO: 97391
DIA #	SCALE: 1/8" = 1'-0"	SHEET 1 OF 2
ALL DIMENSIONS ARE IN MILLIMETERS	FILE	1.E



VIEW D-D
SCALE: 0.2



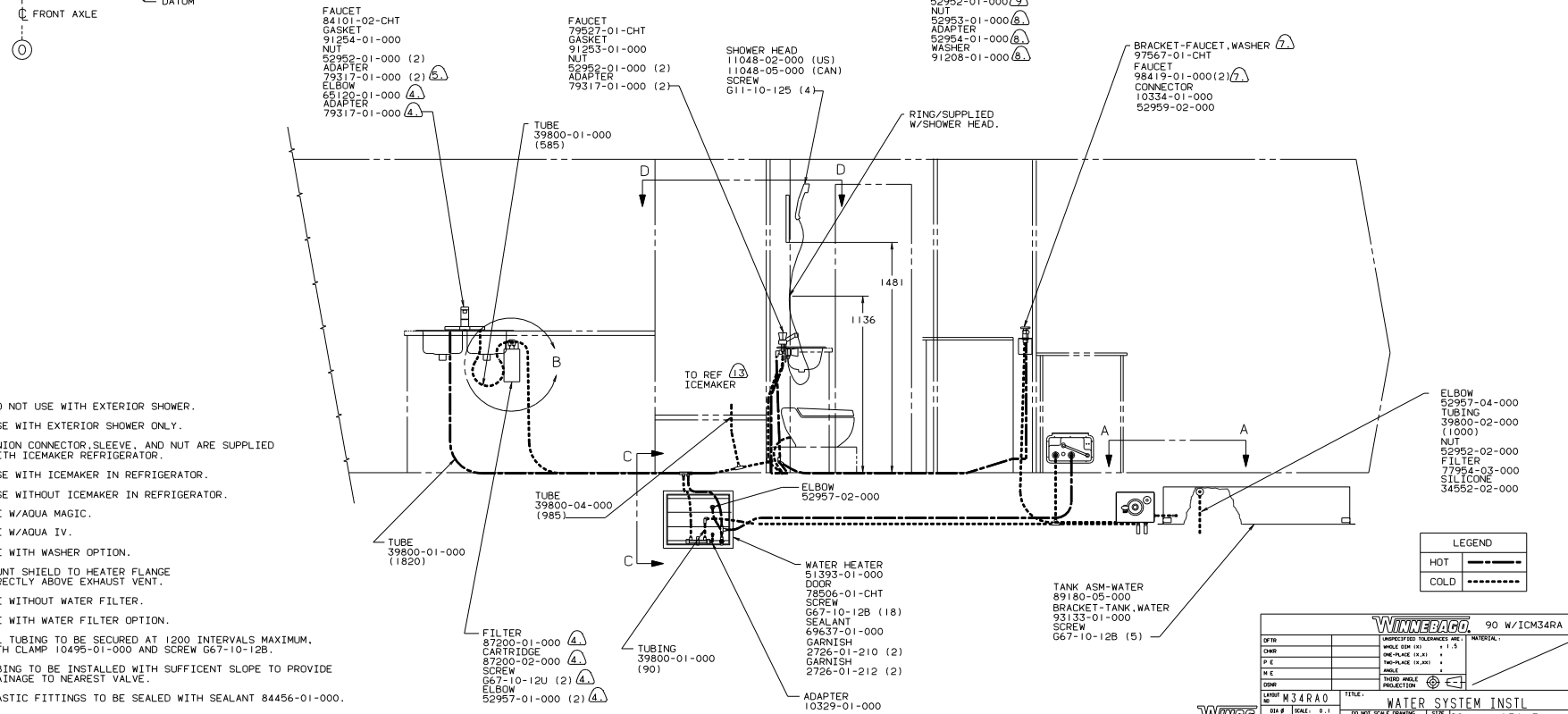
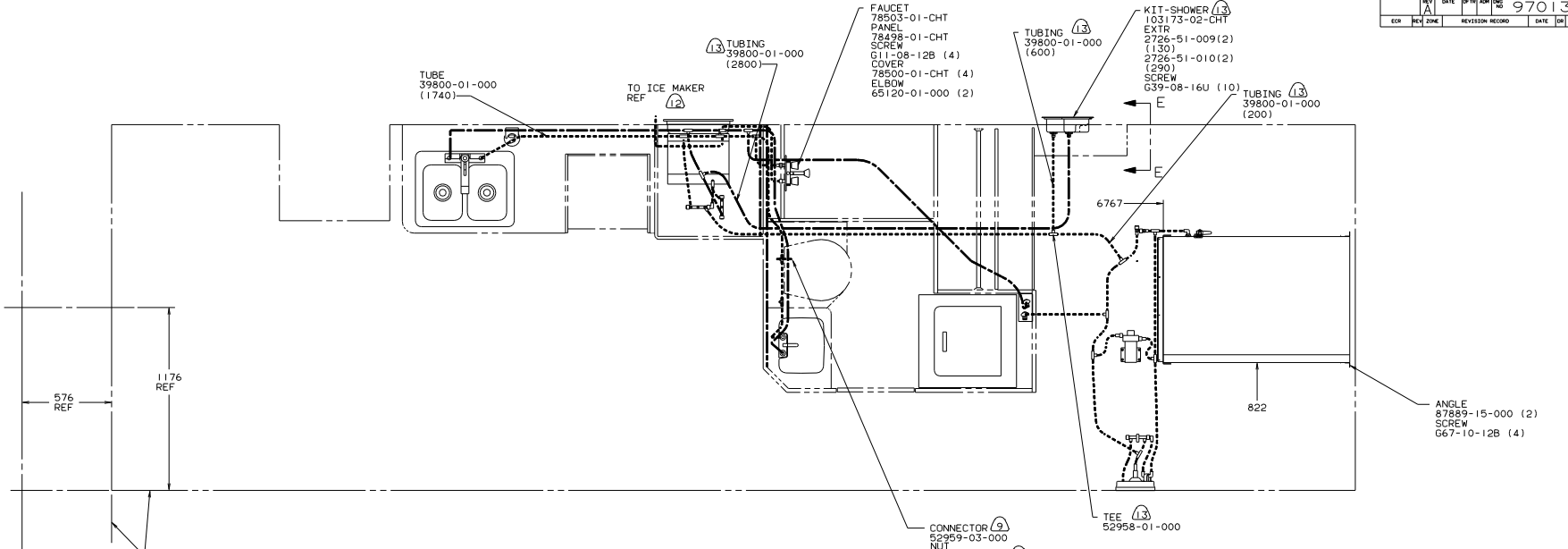
P-TRAP 11066-03-000 (US)
 11066-02-000 (CAN)

TAILPIECE 11069-02-000

PIPE 10194-01-000 (US)
 10194-02-000 (CAN)
 (80)

TEE 10079-01-000

VIEW E-E
SCALE: 0.4



- ④ DO NOT USE WITH EXTERIOR SHOWER.
- ③ USE WITH EXTERIOR SHOWER ONLY.
- ② UNION CONNECTOR, SLEEVE, AND NUT ARE SUPPLIED WITH ICEMAKER REFRIGERATOR.
- ① USE WITH ICEMAKER IN REFRIGERATOR.
- ⑩ USE WITHOUT ICEMAKER IN REFRIGERATOR.
- ⑨ USE W/AQUA MAGIC.
- ⑧ USE W/AQUA IV.
- ⑦ USE WITH WASHER OPTION.
- ⑥ MOUNT SHIELD TO HEATER FLANGE DIRECTLY ABOVE EXHAUST VENT.
- ⑤ USE WITHOUT WATER FILTER.
- ④ USE WITH WATER FILTER OPTION.

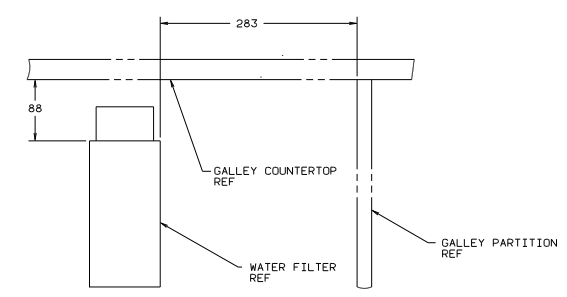
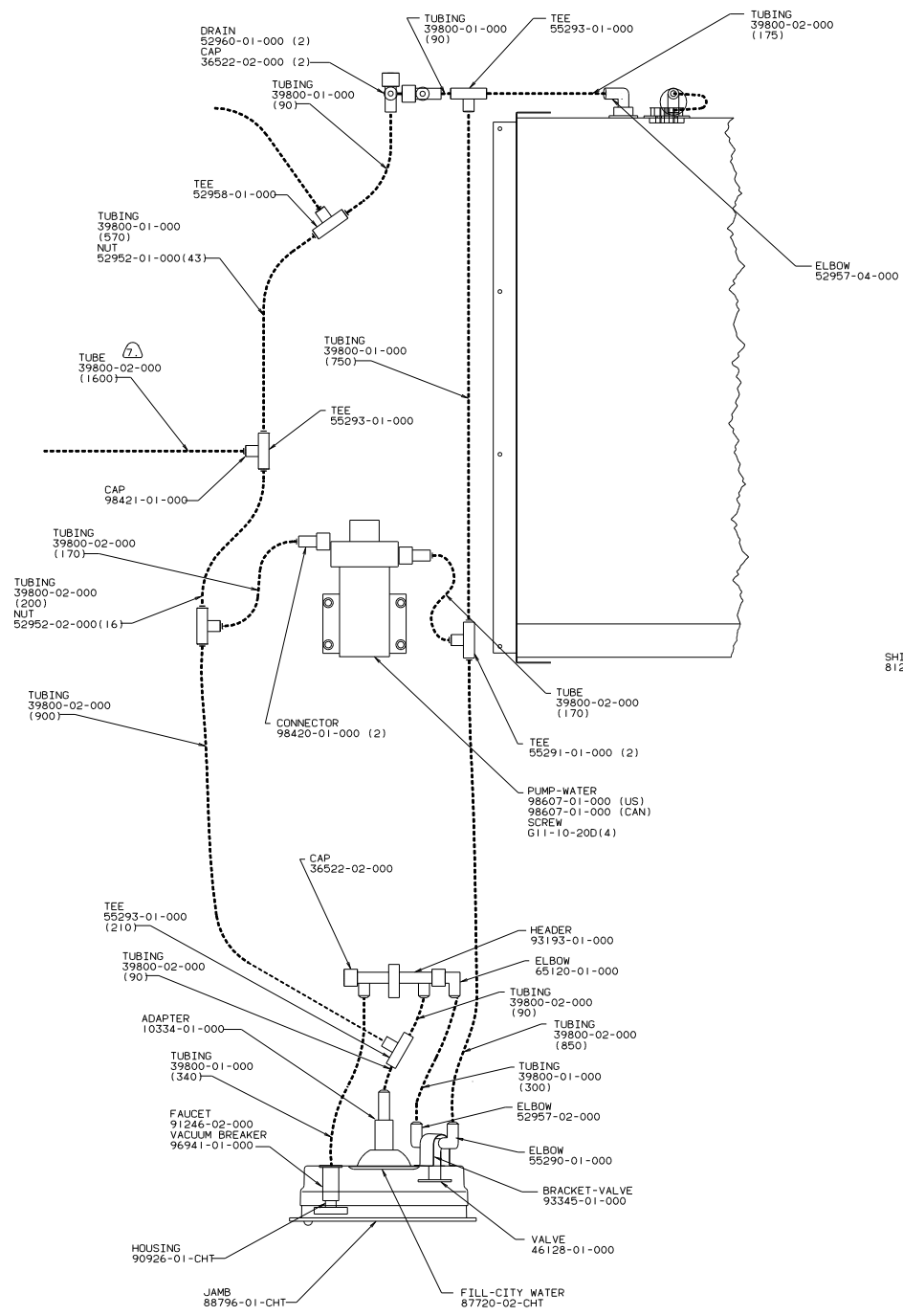
3. ALL TUBING TO BE SECURED AT 1200 INTERVALS MAXIMUM. WITH CLAMP 10495-01-000 AND SCREW G67-10-12B.
2. TUBING TO BE INSTALLED WITH SUFFICIENT SLOPE TO PROVIDE DRAINAGE TO NEAREST VALVE.
1. PLASTIC FITTINGS TO BE SEALED WITH SEALANT 84456-01-000.

LEGEND	
HOT	—————
COLD	-----

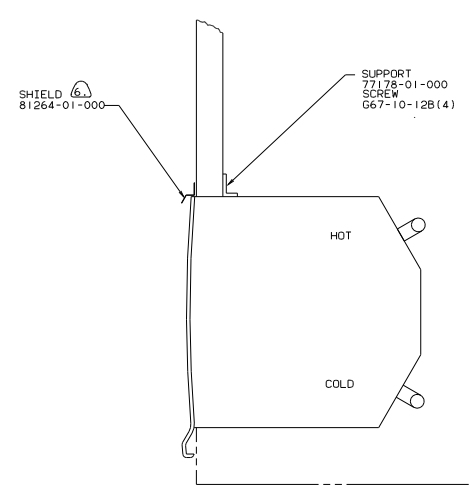
WINNERAGO 90 W/1CM34RA

DATE	UNSPECIFIED TOLERANCES ARE:	MATERIAL
CHG#	WHOLE DIM (IN)	1:15
REV	ONE-PLACE (IN, IN)	
FILE	TWO-PLACE (IN, IN)	
FILE	ANGLE	
FILE	THIRD ANGLE PROJECTION	

LAN# M34RA0 TITLE: WATER SYSTEM INSTL
 DIA # SCALE: 0:1 300 NET SCALE DRAWING SIZE 11x17
 ALL DIMENSIONS ARE IN MILLIMETERS SHEET 1 OF 3 1 E 17
 97013



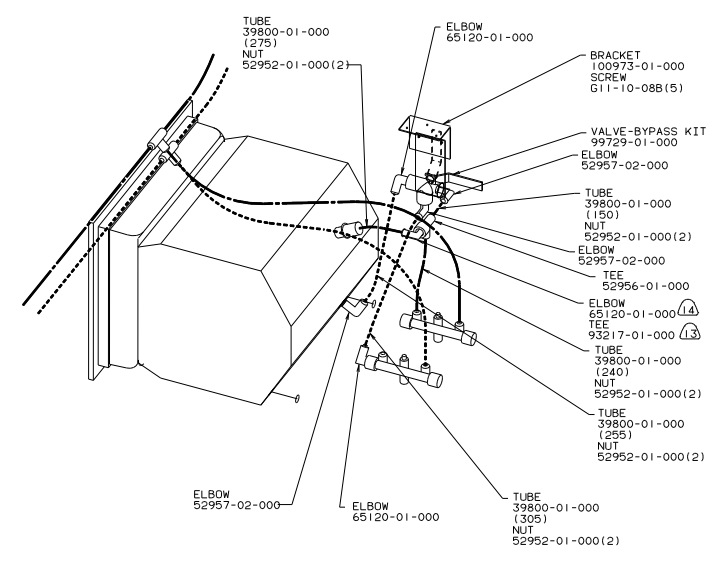
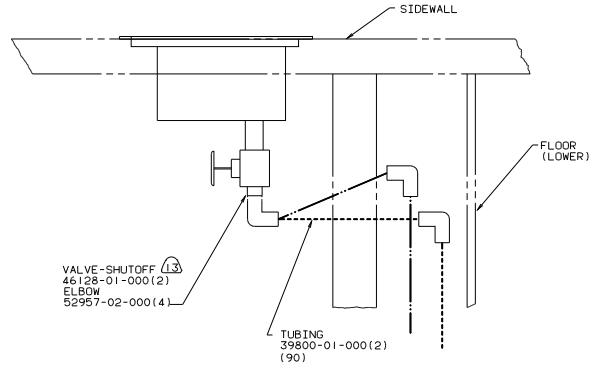
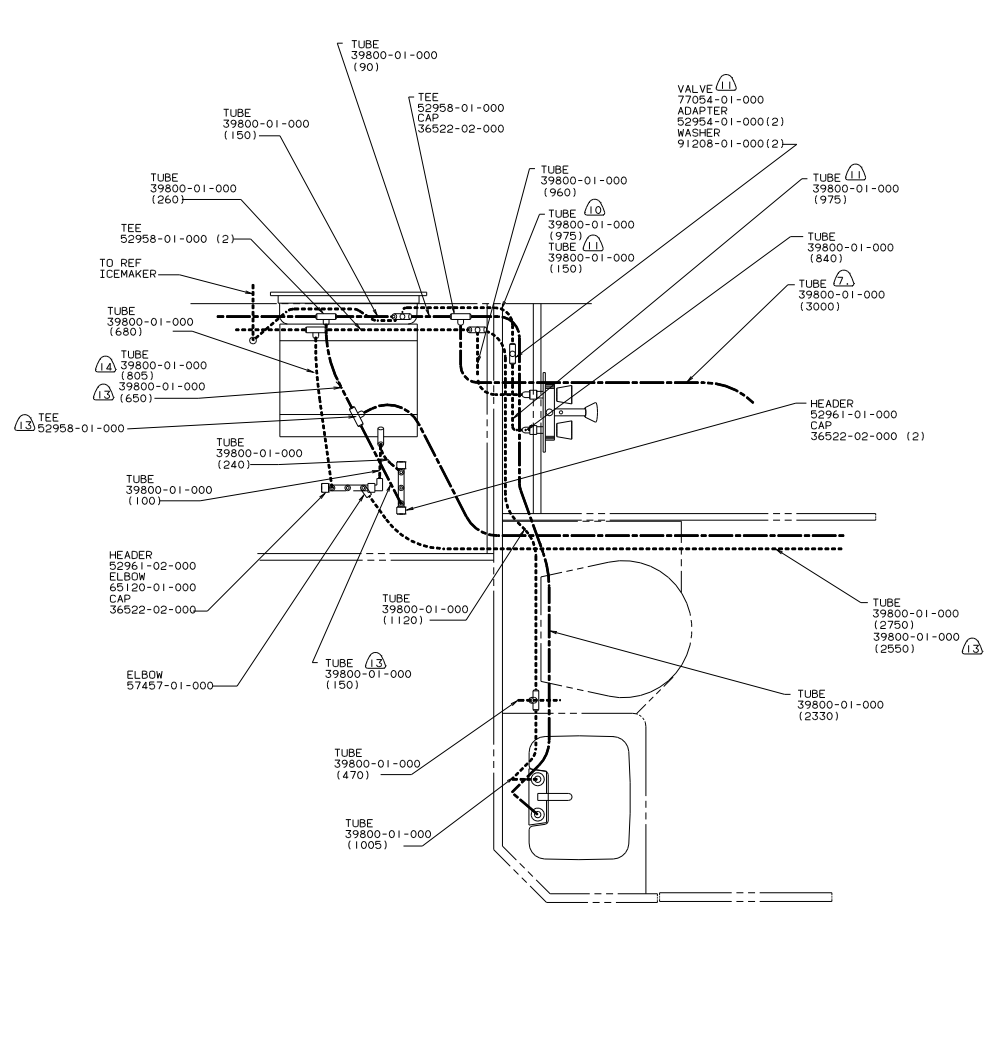
DETAIL B
SCALE: 0.4



VIEW C-C
SCALE 0.3

VIEW A-A
SCALE: 0.4

TITLE: WATER SYSTEM INSTL			
30 MET SCALE DRAWING	REV	DATE	97013
SHEET 2 OF 3	1		



TITLE: WATER SYSTEM INSTL	
30 NET SCALE DRAWING	REV 1 E
SHEET 3 OF 3	97013