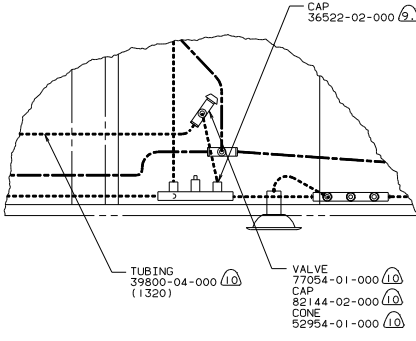


USE RIO CHINA TOILET.

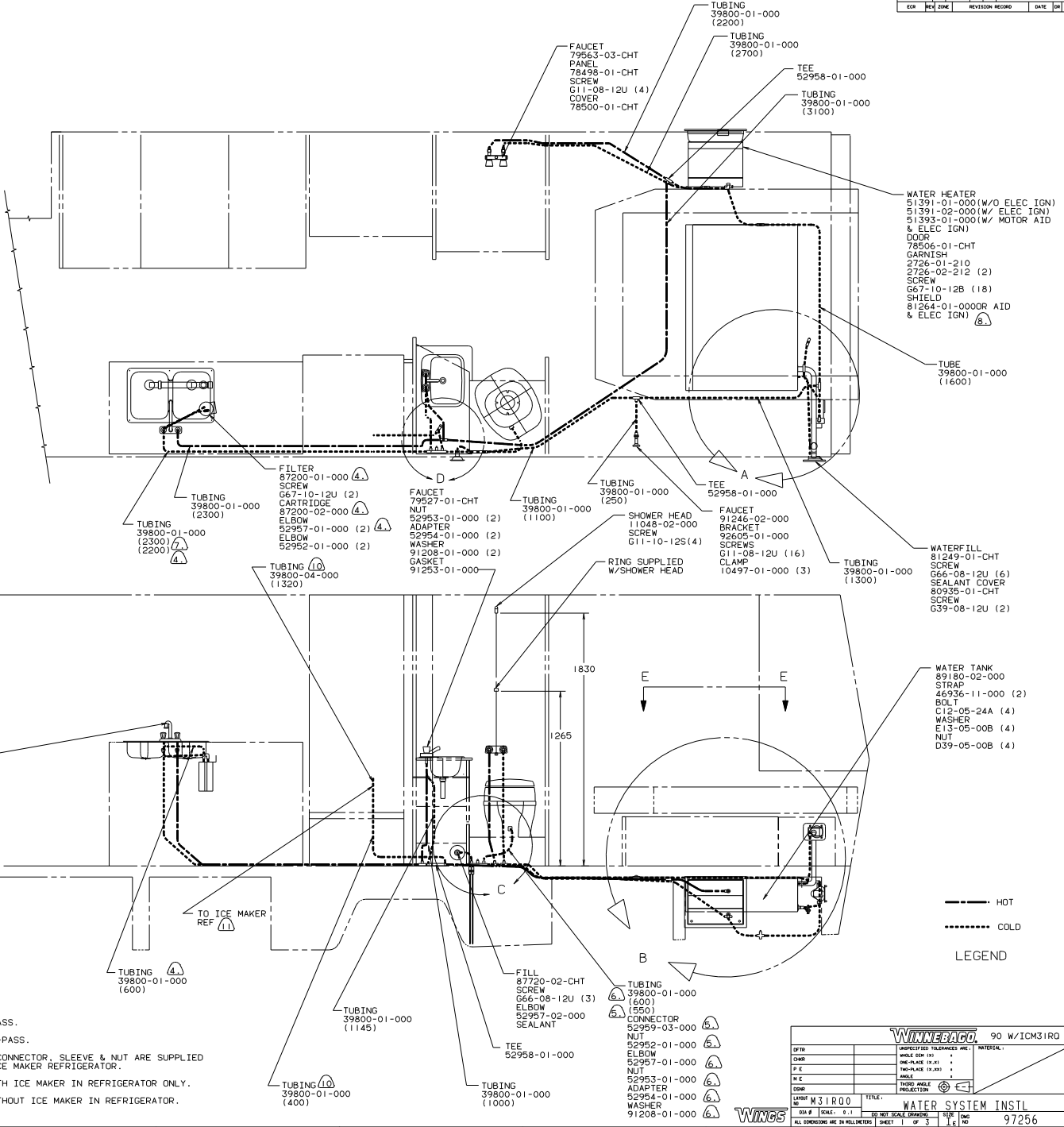
USE WITH CHINA TOILET.

FOLD LUMBER TOGETHER WITH SCREW.

8-05-248 (2) BEFORE INSTL.



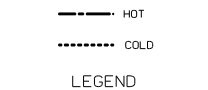
DETAIL D
 SCALE: 0.3



- WATER HEATER
- 51391-01-000 (W/O ELEC IGN)
- 51391-02-000 (W/ ELEC IGN)
- 51393-01-000 (W/ MOTOR AID & ELEC IGN)
- DOOR
- 78506-01-CHT
- GARNISH
- 2726-01-210
- 2726-02-212 (2)
- SCREW
- G67-10-12B (18)
- SHIELD
- 81264-01-000 (R & ELEC IGN) (6)
- TUBE
- 39800-01-000 (1600)

- WATERFILL
- 81249-01-CHT
- SCREW
- G66-08-12U (6)
- SEALANT COVER
- 80935-01-CHT
- SCREW
- G39-08-12U (2)

- WATER TANK
- 89180-02-000
- STRAP
- 46936-11-000 (2)
- BOLT
- C12-05-24A (4)
- WASHER
- E13-05-00B (4)
- NUT
- D39-05-00B (4)



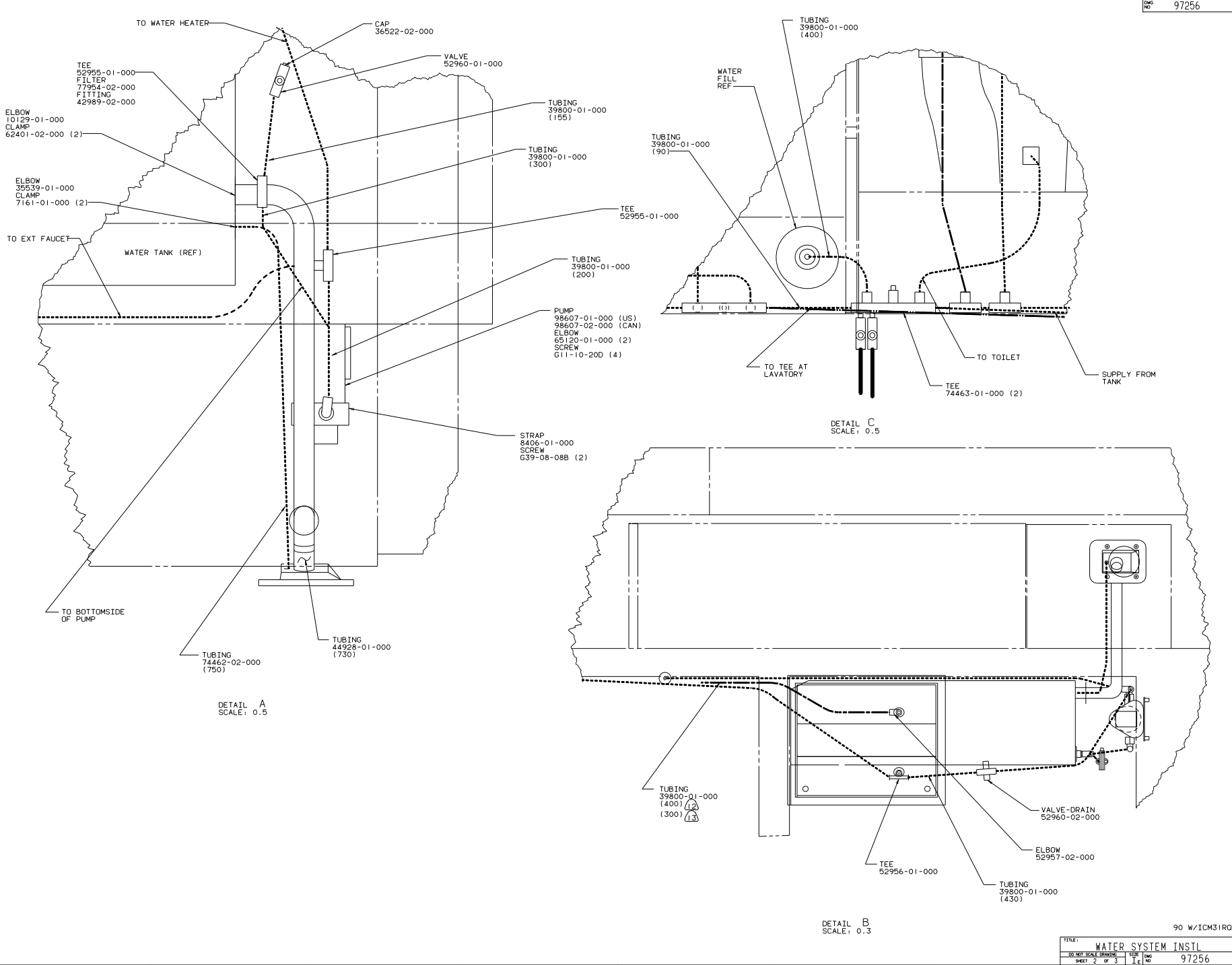
- (8) MOUNT SHIELD TO HEATER FLANGE DIRECTLY ABOVE EXHAUST VENT.
- (7) USE WITHOUT WATER FILTER.
- (6) USE WITH AQUA 4.
- (5) USE WITH AQUA MAGIC.
- (4) USE WITH WATER FILTER EXCHANGE ONLY.
- 3. PLASTIC FITTINGS TO BE SEALED WITH SEALANT 84456-01-000.
- 2. ALL TUBING TO BE SECURED EVERY 1220 MAXIMUM WITH CLAMP 10495-01-000 AND SCREW G67-10-12B.
- 1. TUBING TO BE INSTALLED WITH SUFFICIENT SLOPE TO PROVIDE DRAINAGE TO NEAREST VALVE.

- (13) W/BY-PASS.
- (12) W/O BY-PASS.
- (11) UNION CONNECTOR, SLEEVE & NUT ARE SUPPLIED WITH ICE MAKER REFRIGERATOR.
- (10) USE WITH ICE MAKER IN REFRIGERATOR ONLY.
- (9) USE WITHOUT ICE MAKER IN REFRIGERATOR.

WINNIEGAGO 90 W/1CM31RD

DATE	UNSPECIFIED TOLERANCES ARE:	MATERIAL
CHDR	WHOLE DIM (X)	
FIT	ONE-PLACE (X.X)	
F.F.E	TWO-PLACE (X.XXX)	
ANG	ANGLE	
CONR	TRUSS ANGLE	
	PROTECTOR	

LANO# M31R00 TITLE: WATER SYSTEM INSTL
 DIA # SCALE: 0.1 300 NET SCALE DRAWING SIZE: 11E
 ALL DIMENSIONS ARE IN MILLIMETERS SHEET 1 OF 3 97256



TO WATER HEATER

CAP 36522-02-000

VALVE 52960-01-000

TEE 52955-01-000

FILTER 77954-02-000

FITTING 42989-02-000

ELBOW 10129-01-000

CLAMP 62401-02-000 (2)

ELBOW 35539-01-000

CLAMP 7161-01-000 (2)

TO EXT FAUCET

WATER TANK (REF)

TUBING 39800-01-000 (155)

TUBING 39800-01-000 (300)

TEE 52955-01-000

TUBING 39800-01-000 (200)

PUMP 98607-01-000 (US)
98607-02-000 (CAN)

ELBOW 65120-01-000 (2)

SCREW G11-10-20D (4)

STRAP 8406-01-000

SCREW G39-08-08B (2)

TO BOTTOMSIDE OF PUMP

TUBING 74462-02-000 (750)

TUBING 44928-01-000 (730)

TUBING 39800-01-000 (400)

WATER FILL REF

TUBING 39800-01-000 (90)

TO TEE AT LAVATORY

TO TOILET

SUPPLY FROM TANK

TEE 74463-01-000 (2)

DETAIL C
SCALE: 0.5

DETAIL A
SCALE: 0.5

TUBING 39800-01-000 (400)

TUBING 39800-01-000 (300)

VALVE-DRAIN 52960-02-000

ELBOW 52957-02-000

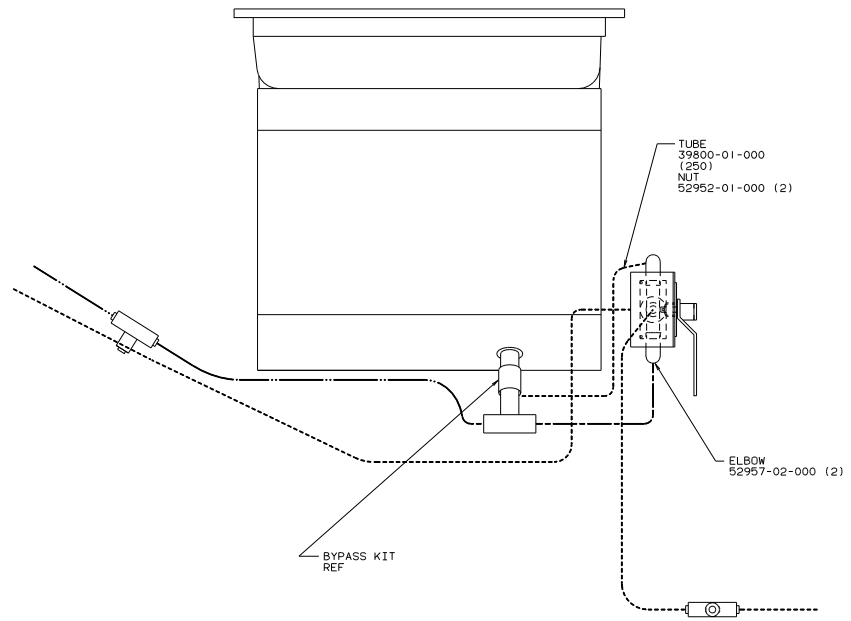
TEE 52956-01-000

TUBING 39800-01-000 (430)

DETAIL B
SCALE: 0.3

TITLE: WATER SYSTEM INSTL		97256	
30 MIL SCALE DRAWING	SIZE 11E	SHEET 2 OF 3	DATE

90 W/ICM31RG



HOT WATER BYPASS OPTION

VIEW E-E
W/BYPASS VALVE
SCALE: 0.5

