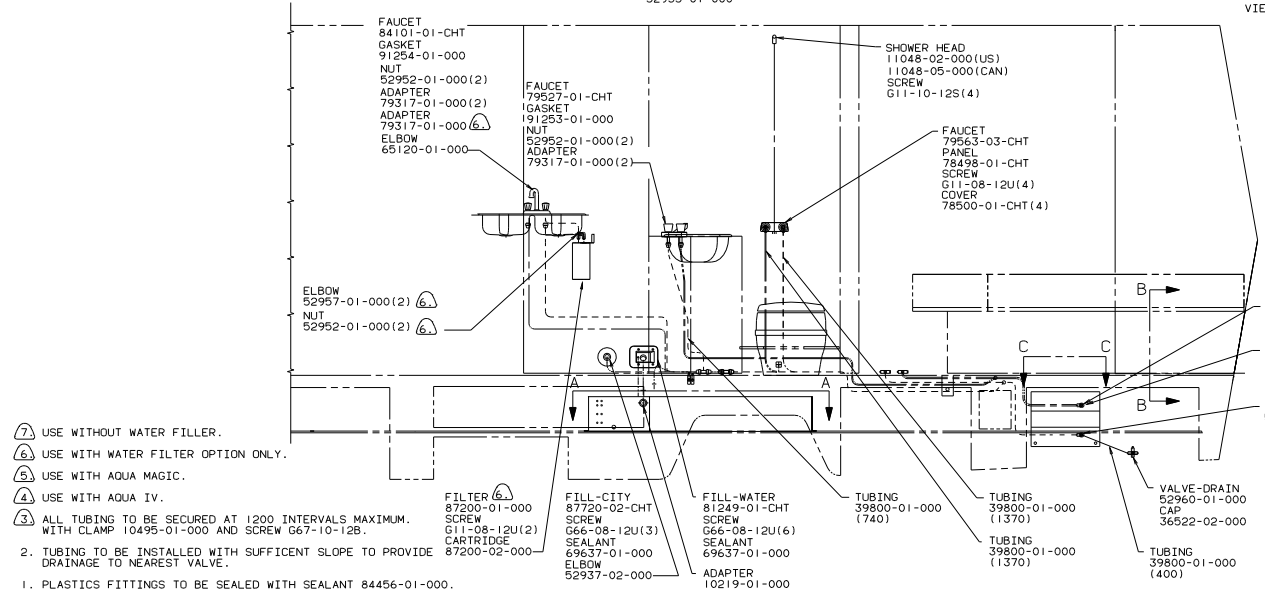
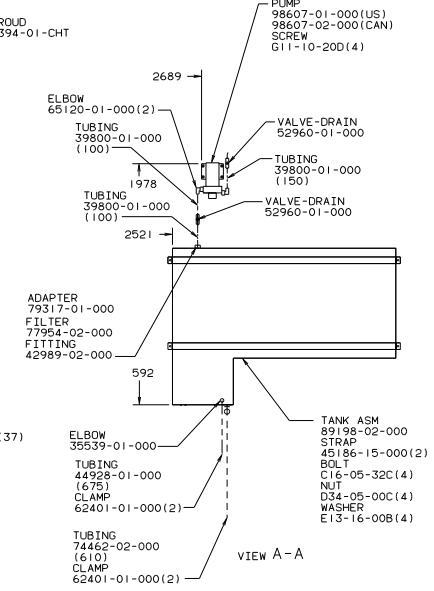
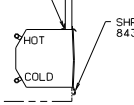
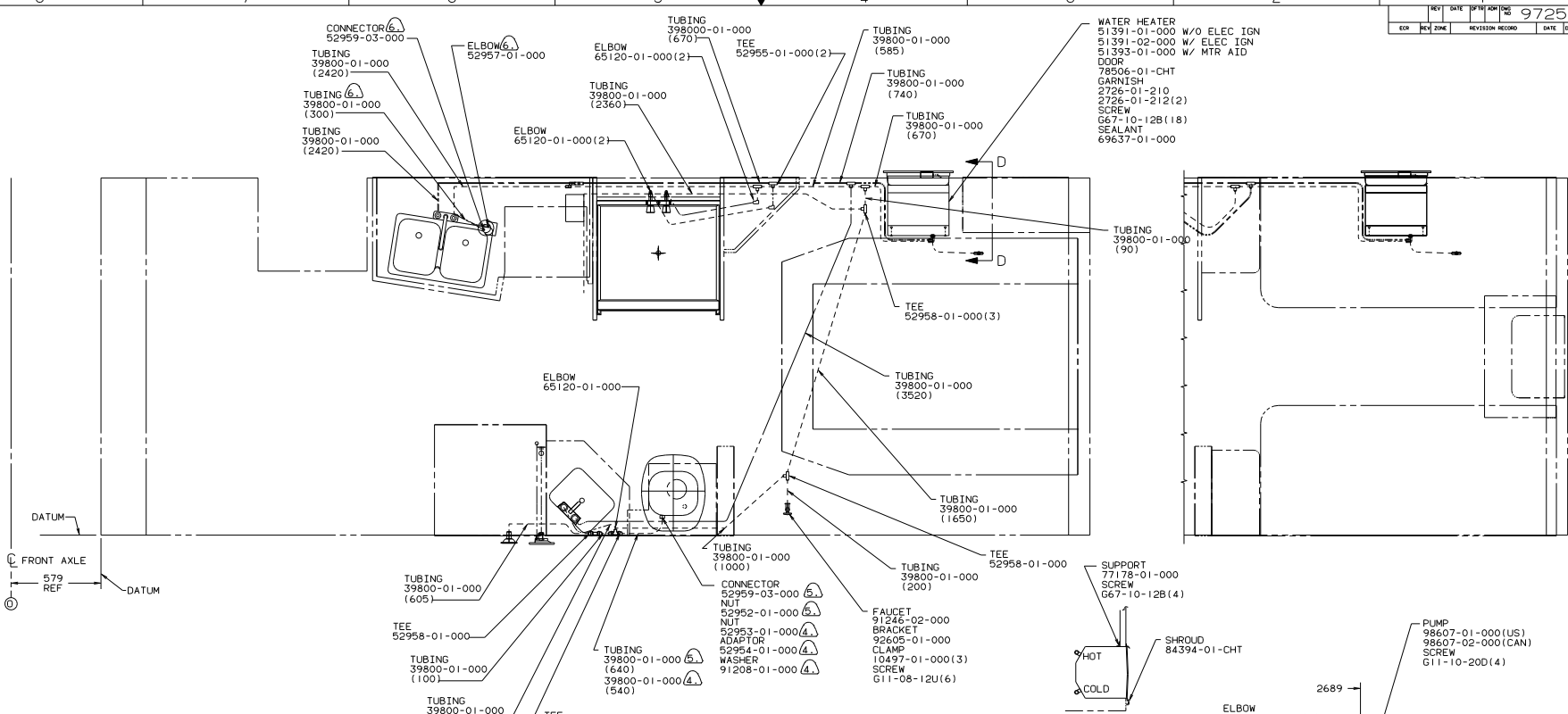


- ⑩ USE WITH DOUBLE BED W/VANITY ONLY.
- ⑨ VENT PIPE MUST PROJECT 51 MM MIN AND 63.5 MM MAX ABOVE ROOF FOR PROPER FIT AND FUNCTION.
- ⑧ SEE DWG 61607-01-000 FOR INSTL OF GROMMET.
- 7. SEAL ALL AROUND SHOWER WITH SILICONE 78474-01-CHT.
- 6. FOR CAN UNITS EACH HOLDING TANK SHALL HAVE A CSA APPROVAL STAMPED NEAR THE TAPWD APPROVAL.
- 5. EXPOSED PIPE ABOVE ROOF TO BE PAINTED 37163-01-000.
- 4. ALL EXTERIOR OPENINGS AROUND PIPE TO BE SEALED WITH 69637-01-000.
- 3. ALL PIPE AND FITTINGS TO BE ASSEMBLED WITH SOLVENT 4020-01-000.
- 2. SLOPE OF TRAP ARM MUST BE 6 PER 300.
- 1. SLOPE OF HORIZONTAL PIPING TO BE 6 PER 305 MIN.

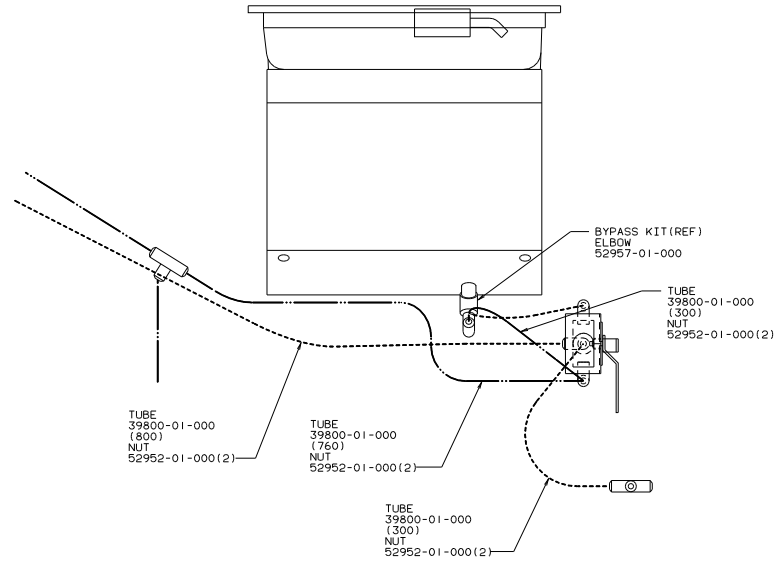
		90 W/1CM27R0
UNFINISHED DIMENSIONS ARE: MALE DIM (M) + 3.0 FEMALE DIM (M) + 3.0 TWO-PIECE (M) + 3.0 HOLE + 3.0 THIRD ANGLE PROJECTION	TITLE:	DRAINAGE SYSTEM INSTL
LAYER: Q M 27 R 0 SHEET: 1 OF 1 ALL DIMENSIONS ARE IN MILLIMETERS	DATE: 11/11/11 DRAWN BY: J. J. J.	PROJECT NO: 97261



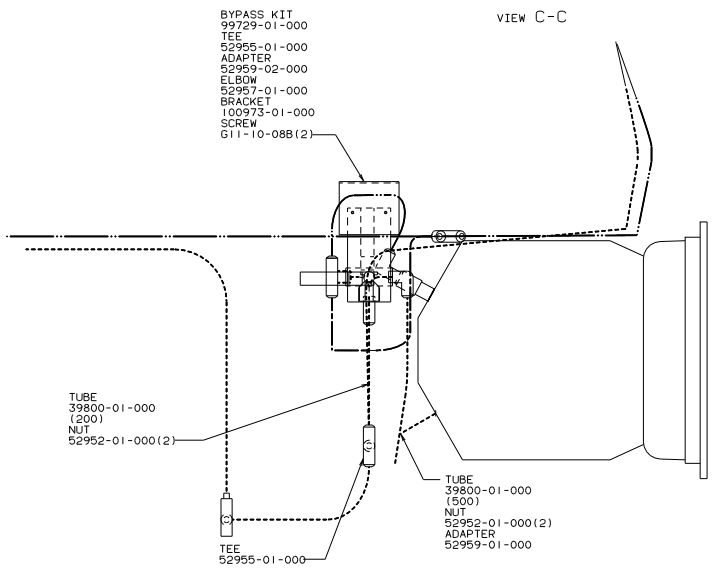
- NOTES:
- ① USE WITHOUT WATER FILLER.
  - ② USE WITH WATER FILTER OPTION ONLY.
  - ③ USE WITH AQUA MAGIC.
  - ④ USE WITH AQUA IV.
  - ⑤ ALL TUBING TO BE SECURED AT 1200 INTERVALS MAXIMUM. WITH CLAMP 10495-01-000 AND SCREW G67-10-12B.
  - ⑥ TUBING TO BE INSTALLED WITH SUFFICIENT SLOPE TO PROVIDE DRAINAGE TO NEAREST VALVE.
  - ⑦ PLASTICS FITTINGS TO BE SEALED WITH SEALANT 84456-01-000.

LEGEND  
 HOT - - - - -  
 COLD - - - - -

WINNACCO		90 W/12M27R0
DATE	UNSPECIFIED TOLERANCES ARE:	MATERIAL
DRN	HALF DIM (X) ± .1	
REV	ONE-PLACE (X.X) ± .1	
DATE	TWO-PLACE (X.XX) ± .05	
REV	HALF	
DATE	THIRD-PLACE	
REV	PROJECTION	
TITLE: WATER SYSTEM INSTL DRAWN BY: [ ] CHECKED BY: [ ] ALL DIMENSIONS ARE IN MILLIMETERS SHEET 1 OF 2 97255		



VIEW C-C



WATER HEATER BYPASS OPTION

90 W/ICM27RO

TITLE: WATER SYSTEM INSTL		DWG NO	
30 NET SCALE DRAWING	SHEET 2 OF 2	FILE	92755