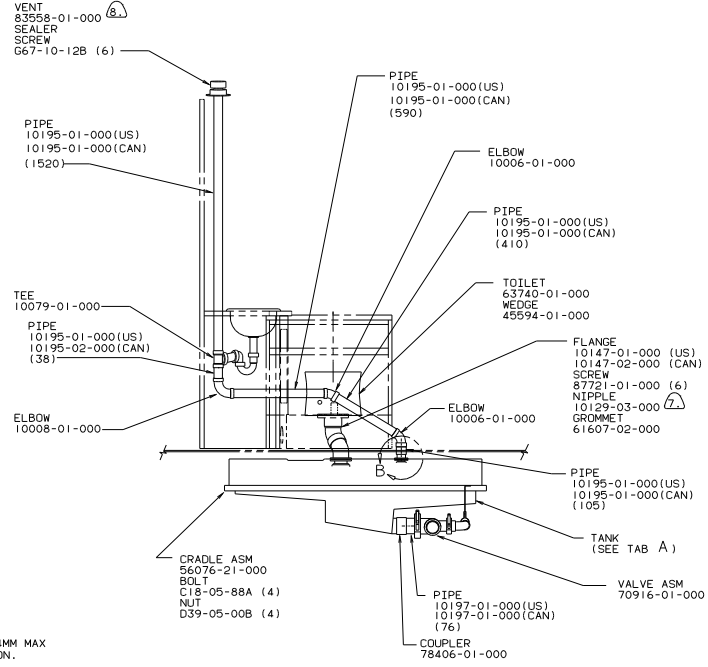
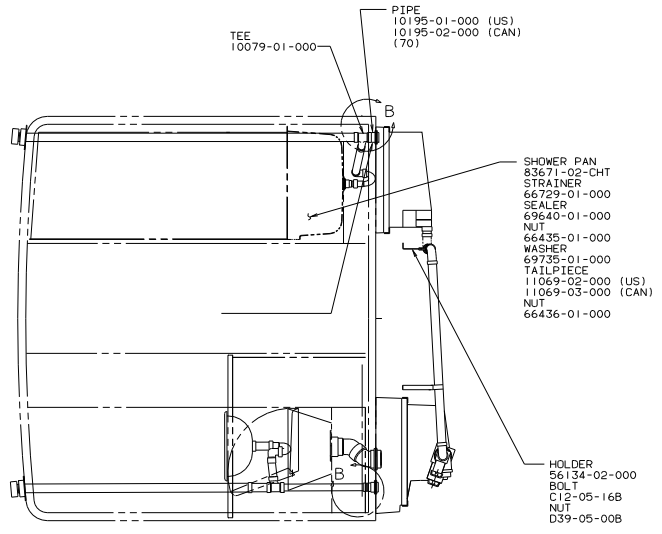
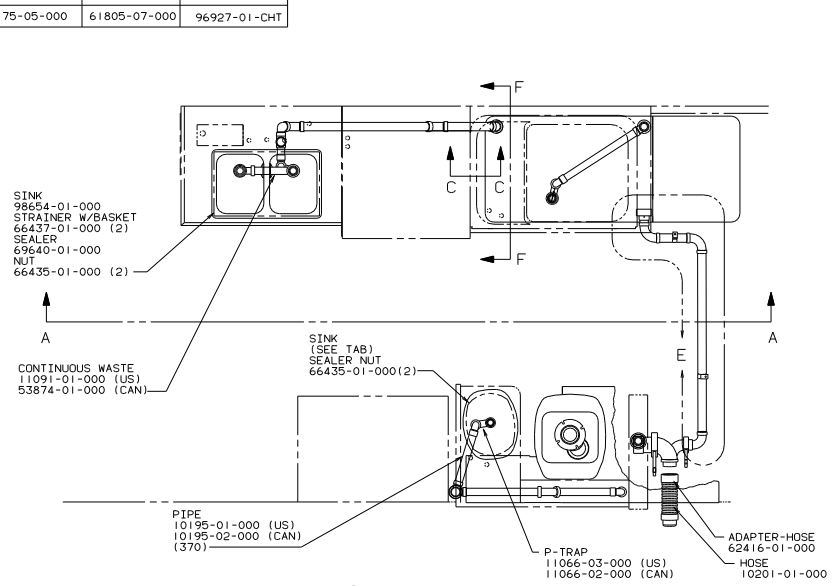


DWG NO	TANK A	TANK B	SINK
94828-01	74175-03-000	61805-06-000	90990-01-CHT
94828-02	74175-05-000	61805-07-000	96927-01-CHT

REV	DATE	BY	CHKD	NO
				94828



- (8) VENT PIPE MUST PROJECT 51MM MIN TO 64MM MAX ABOVE ROOF FOR PROPER FIT AND FUNCTION.
- (7) SEE DWG 61607-01-000 FOR INSTL OF GROMMET.
- (6) SEAL ALL AROUND SHOWER PAN WITH SILICONE 78474-01-CHT.
5. FOR CANADIAN UNITS EACH HOLDING TANK SHALL HAVE A CSA APPROVAL STAMPED NEAR THE IAPMO APPROVAL.
4. ALL EXTERIOR OPENINGS AROUND PIPE TO BE SEALED WITH 69637-01-000.
3. ALL PIPE AND FITTINGS TO BE ASSEMBLED WITH SOLVENT 4020-01-000.
2. SLOPE OF TRAP MUST BE 6 PER 300 MINIMUM.
1. SLOPE OF HORIZONTAL PIPING TO BE 6 PER 300 MINIMUM.

UNSPECIFIED TOLERANCES ARE:		MATERIAL
DRIP		ANGLE OVER 15°
DRIP		ONE-PLACE (15.25)
PIPE		TWO-PLACE (15.25)
W/E		ANGLE
DRIP		THRU ANGLE PROJECTION

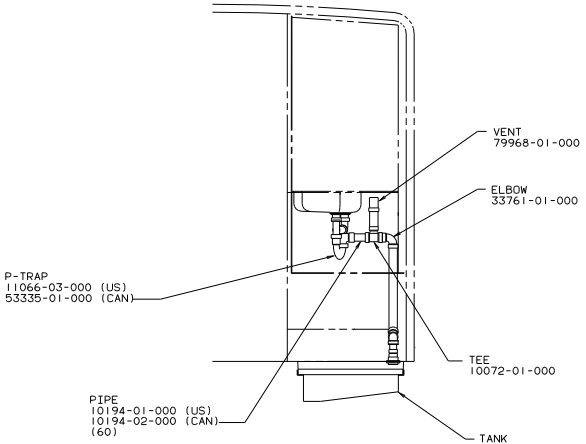
WINNAGO '89 W/ICF27EU

DRAINAGE SYSTEM INSTL

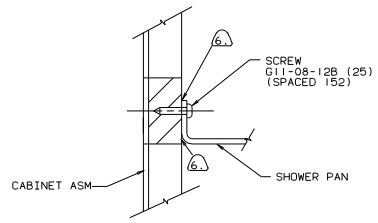
SCALE: 1:10

SHEET 1 OF 2

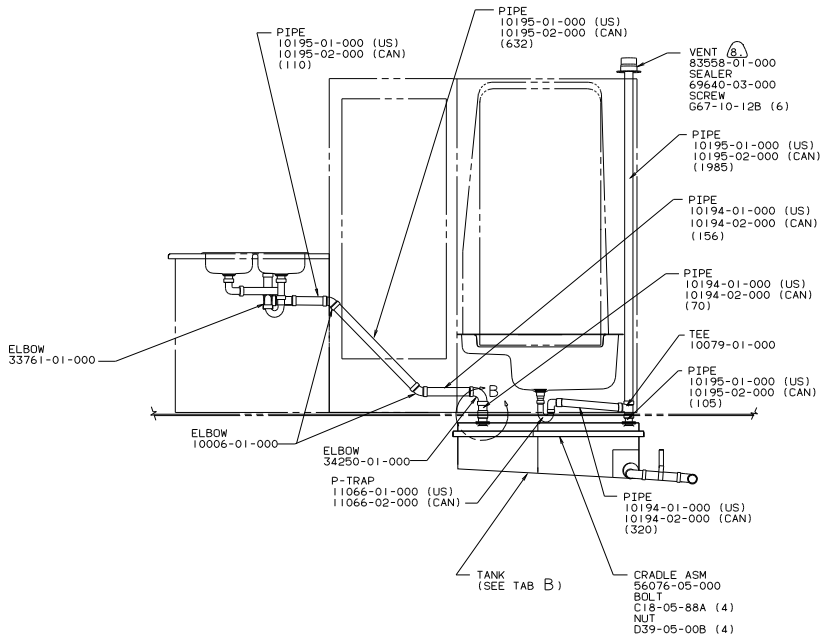
REF: 88968



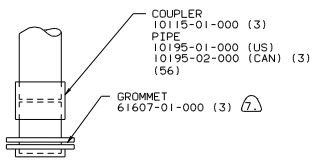
VIEW F-F  
SCALE: 0.1  
SHOWER PAN OMITTED  
FOR CLARITY



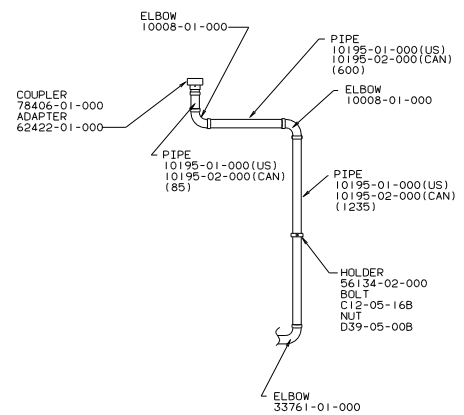
SECTION C-C  
SCALE: 1.0



VIEW A-A  
SCALE: 0.1



DETAIL B  
SCALE: 0.5  
(3 PLACES)



DETAIL E  
SCALE: 0.1

TITLE			
DRAINAGE SYSTEM INSTL			
DO NOT SCALE DRAWING	SIZE	DWG NO	
SHEET 2 OF 2	1/4"	94828	

