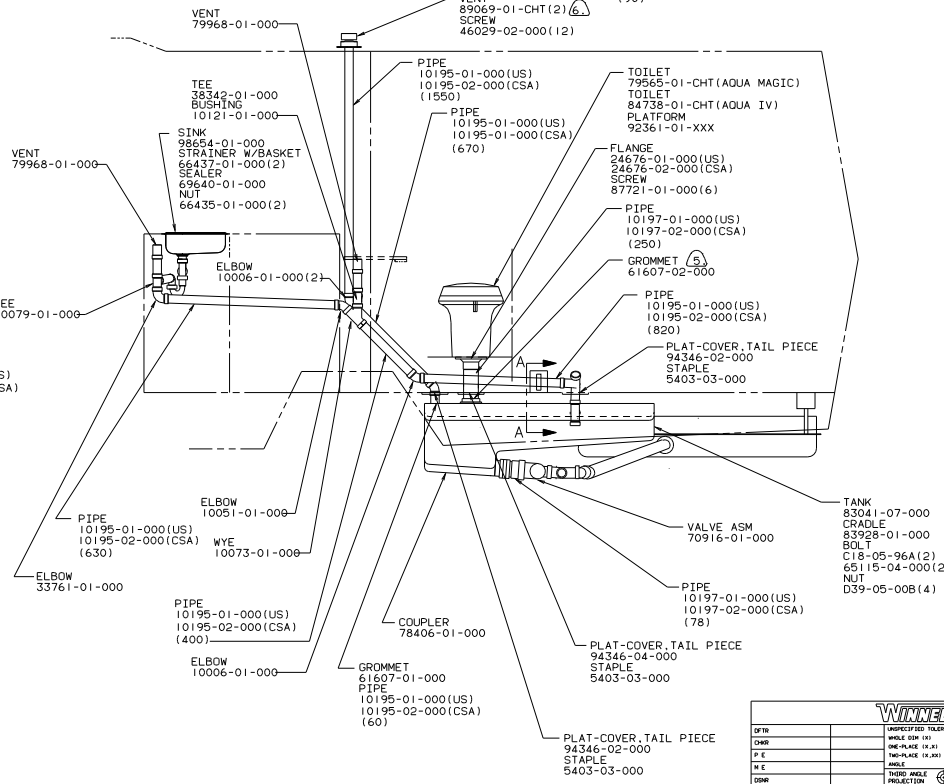
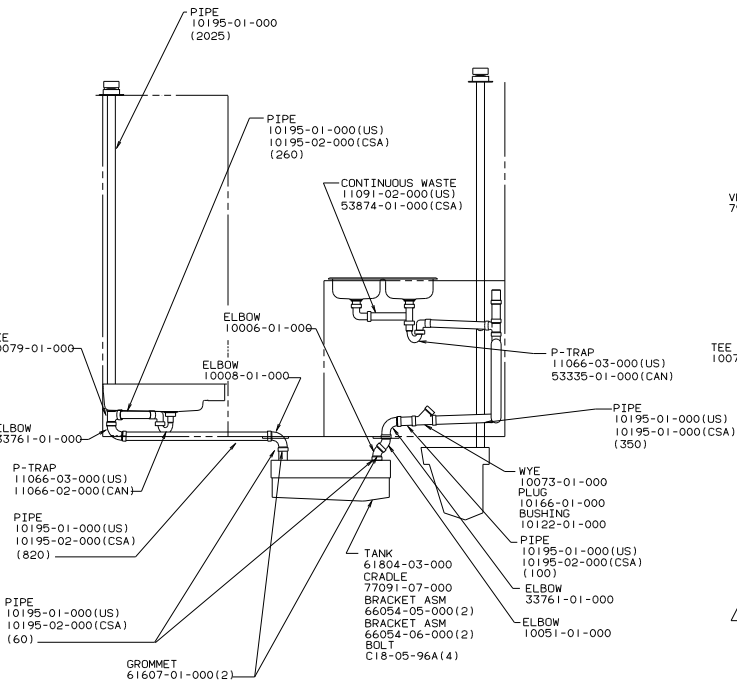
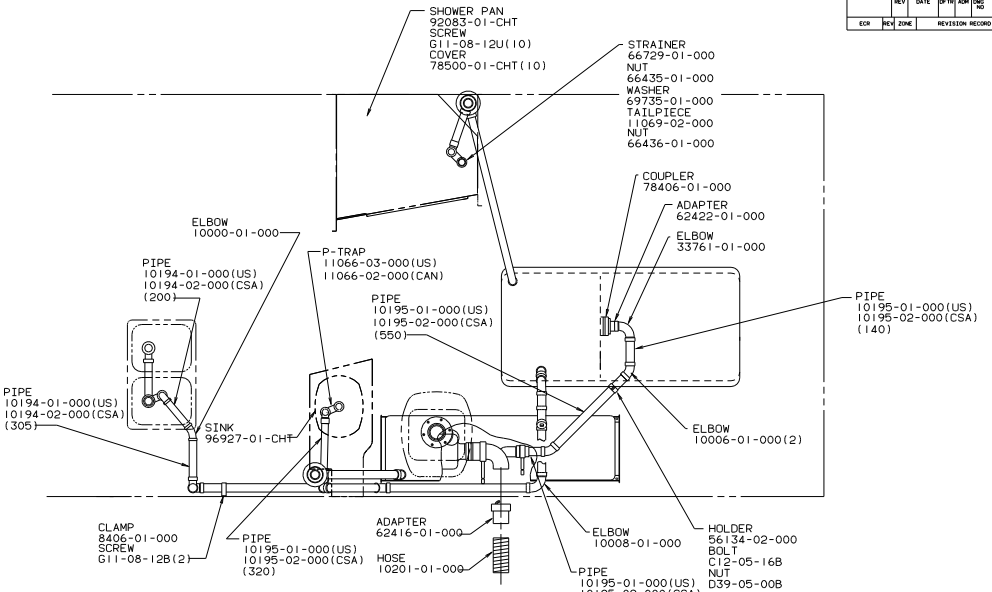
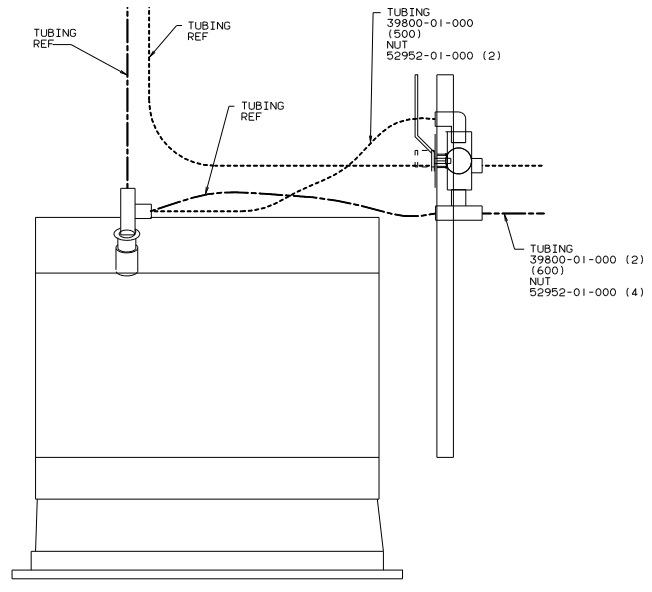


SECTION A-A

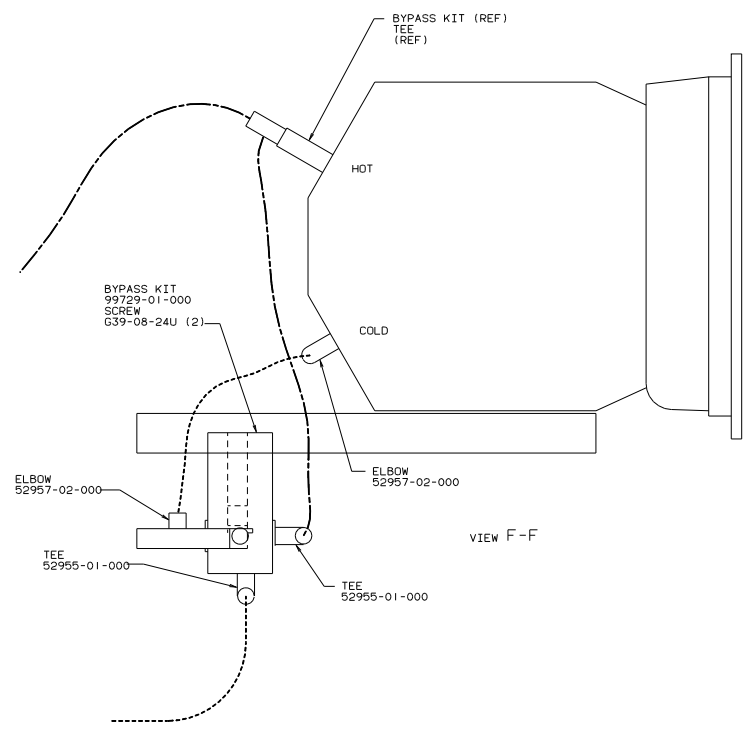


- Ⓐ VENT PIPE MUST PROJECT 51 MINIMUM TO 64 MAXIMUM ABOVE ROOF FOR PROPER FIT AND FUNCTION.
- Ⓒ SEE DWG 61607-01-000 FOR INSTALLATION OF GROMMET.
4. ALL EXTERIOR OPENINGS AROUND PIPE TO BE SEALED WITH 69637-01-000.
3. ALL PIPE AND FITTINGS TO BE ASSEMBLED WITH SOLVENT 4020-01-000.
2. SLOPE OF TRAP ARM MUST BE 6 PER 305.
1. SLOPE OF HORIZONTAL PIPING TO BE 6 PER 305.

| | |
|------------------------------|-----------------------------|
| WINNEMAGO '88 W/IF427RT | |
| DATE | UNSPECIFIED TOLERANCES ARE: |
| DRW | FRAMES 1/8" |
| REV | PIPE 1/16" |
| BY | PLATE 1/32" |
| CHK | WELD 1/16" |
| APP | WELD 1/16" |
| CDR | WELD 1/16" |
| TITLE: DRAINAGE SYSTEM INSTL | |
| LAYOUT: NONE | SCALE: 1/8" = 1'-0" |
| SHEET 1 OF 1 | |



VIEW E-E



VIEW F-F

WATER HEATER BYPASS OPTION

90 W/IF427RT

| | | | |
|---------------------------|------|-------|-------|
| TITLE: WATER SYSTEM INSTL | | REV | DATE |
| 30 NET SCALE DRAWING | 2 | 1.1 | 11/07 |
| SHEET 2 | OF 2 | 92381 | |