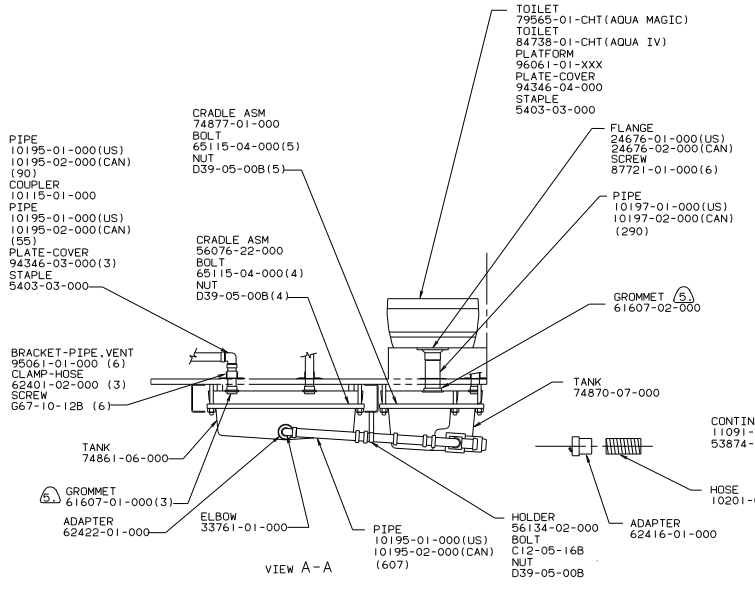
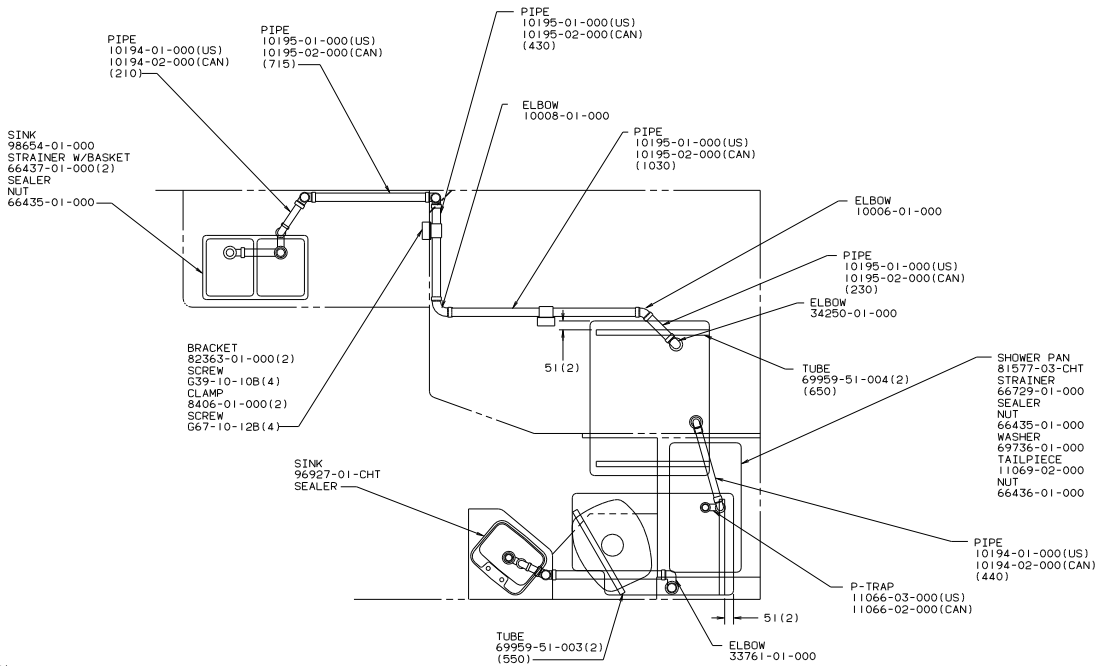
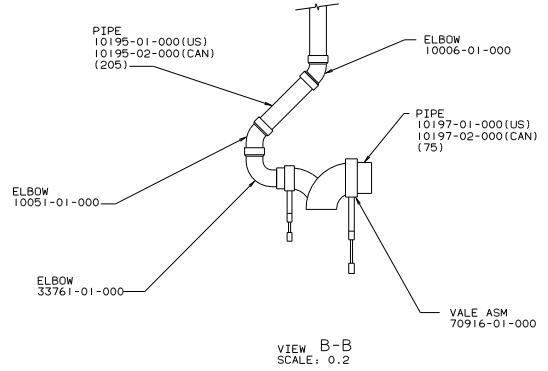
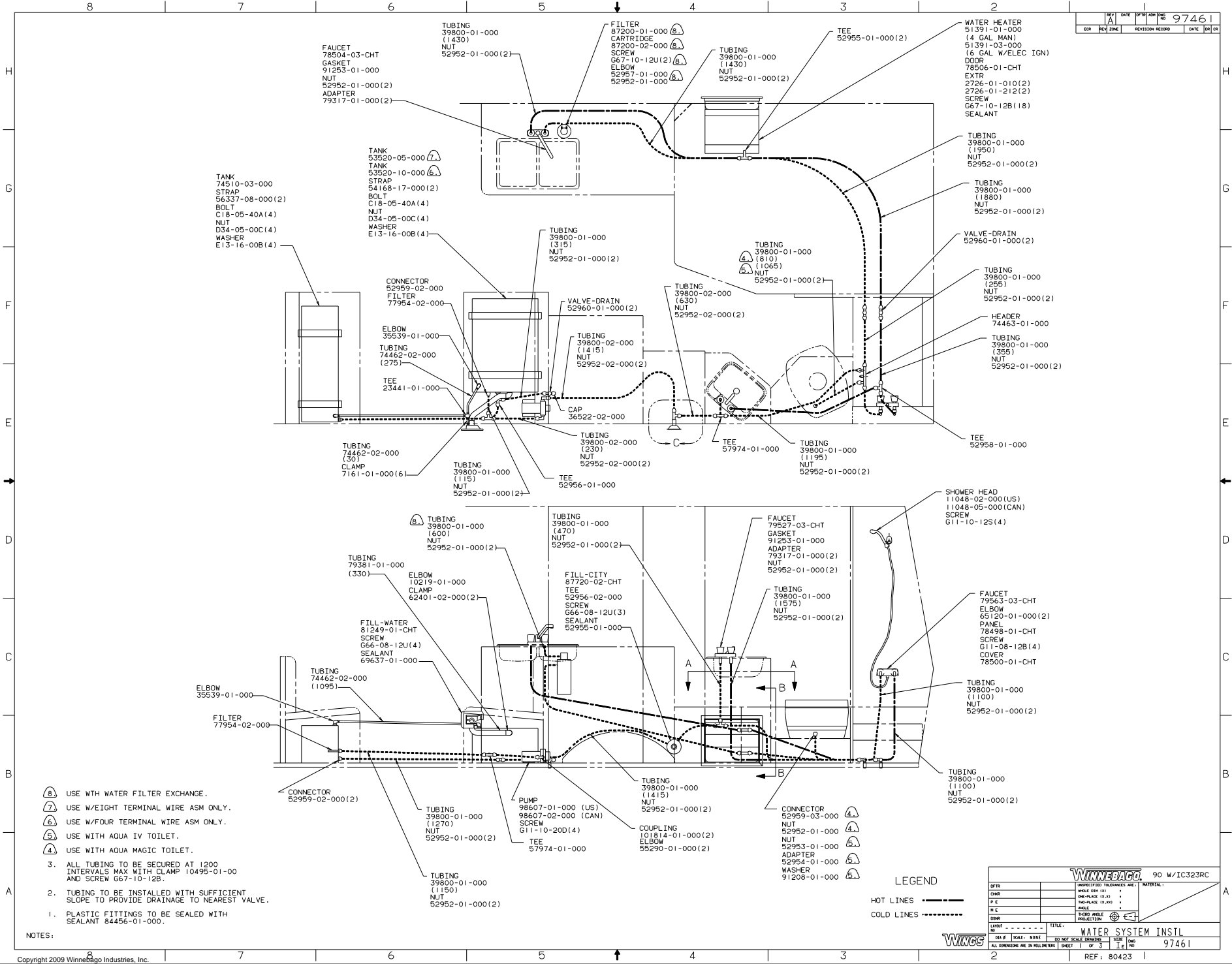


- NOTES:
- (A) VENT MUST PROJECT 51 MIN TO 64 MAX ABOVE ROOF FOR PROPER FIT AND INSTALLATION.
  - (B) SEE DWG 61607-01-000 FOR INSTALLATION OF GROMMET.
  - 4. ALL EXTERIOR OPENINGS AROUND PIPE TO BE SEALED WITH 69637-01-000.
  - 3. ALL PIPE AND FITTINGS TO BE ASSEMBLED WITH SOLVENT 4020-01-000.
  - 2. SLOPE OF TRAP ARM MUST BE 6 PER 305.
  - 1. SLOPE OF HORIZONTAL PIPING TO BE 6 PER 305.

WINNEBAGO 90 W/1C424RC	
DATE	UNSPECIFIED TOLERANCES ARE IN MATERIAL.
COMP	W/1C424RC (R.A.)
SIZE	W/1C424RC (R.A.)
FIN	W/1C424RC (R.A.)
COOR	W/1C424RC (R.A.)
DR	W/1C424RC (R.A.)
LDG	W/1C424RC (R.A.)
REV	W/1C424RC (R.A.)
TITLE	90 W/1C424RC
DRAINAGE SYSTEM INSTL	
DATE	99182
SCALE	0.1
SHEET	2
REV	
REF	97462

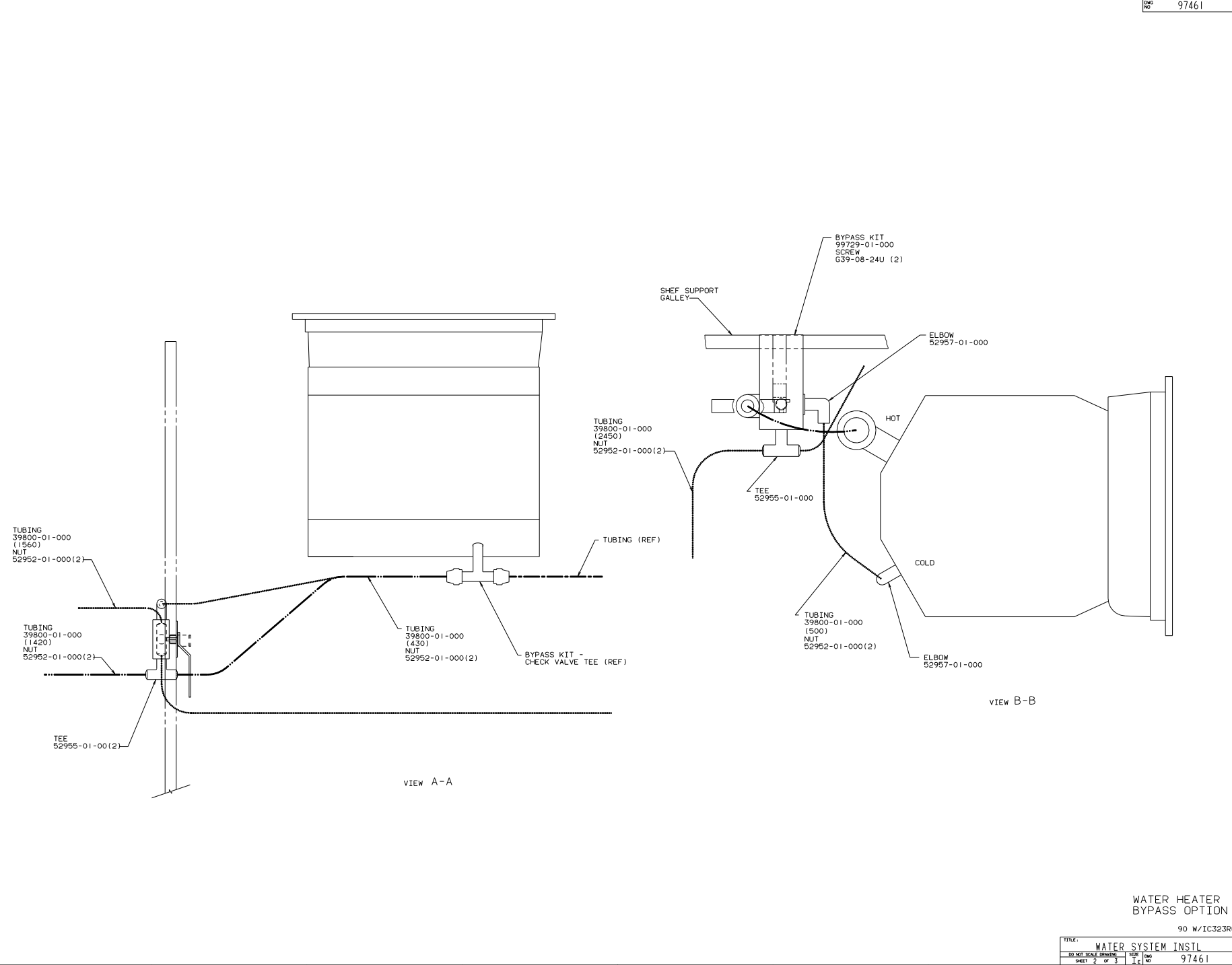




- (8) USE WITH WATER FILTER EXCHANGE.
  - (7) USE W/EIGHT TERMINAL WIRE ASM ONLY.
  - (6) USE W/FOUR TERMINAL WIRE ASM ONLY.
  - (5) USE WITH AQUA TV TOILET.
  - (4) USE WITH AQUA MAGIC TOILET.
3. ALL TUBING TO BE SECURED AT 1200 INTERVALS MAX WITH CLAMP 10495-01-00 AND SCREW G67-10-12B.
  2. TUBING TO BE INSTALLED WITH SUFFICIENT SLOPE TO PROVIDE DRAINAGE TO NEAREST VALVE.
  1. PLASTIC FITTINGS TO BE SEALED WITH SEALANT 84456-01-000.

**LEGEND**  
 HOT LINES ———  
 COLD LINES - - - - -

		90 W/1C323RC																												
<table border="1"> <tr> <th>QTY</th> <th>UNSPECIFIED TOLERANCES ARE:</th> <th>MATERIAL</th> </tr> <tr> <td> </td> <td> </td> <td> </td> </tr> <tr> <td> </td> <td> </td> <td> </td> </tr> <tr> <td> </td> <td> </td> <td> </td> </tr> <tr> <td> </td> <td> </td> <td> </td> </tr> <tr> <td> </td> <td> </td> <td> </td> </tr> </table>	QTY	UNSPECIFIED TOLERANCES ARE:	MATERIAL																<table border="1"> <tr> <td>TITLE</td> <td>WATER SYSTEM INSTL</td> </tr> <tr> <td>DATE</td> <td> </td> </tr> <tr> <td>SCALE</td> <td> </td> </tr> <tr> <td>SHEET</td> <td>1 OF 3</td> </tr> <tr> <td>NO.</td> <td> </td> </tr> </table>		TITLE	WATER SYSTEM INSTL	DATE		SCALE		SHEET	1 OF 3	NO.	
QTY	UNSPECIFIED TOLERANCES ARE:	MATERIAL																												
TITLE	WATER SYSTEM INSTL																													
DATE																														
SCALE																														
SHEET	1 OF 3																													
NO.																														
<p>WINNEMAGO 97461</p>																														



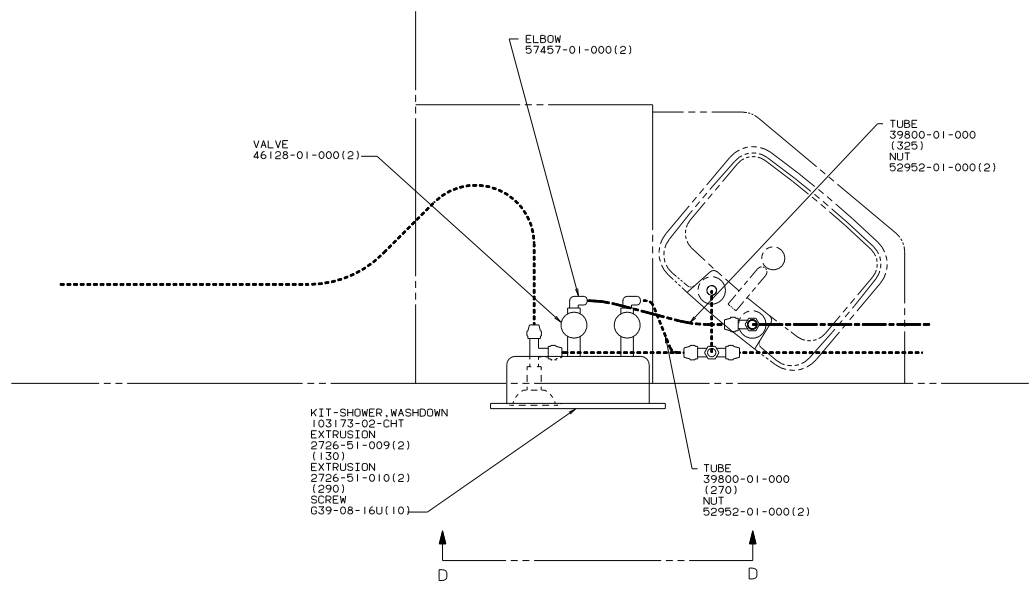
VIEW A-A

VIEW B-B

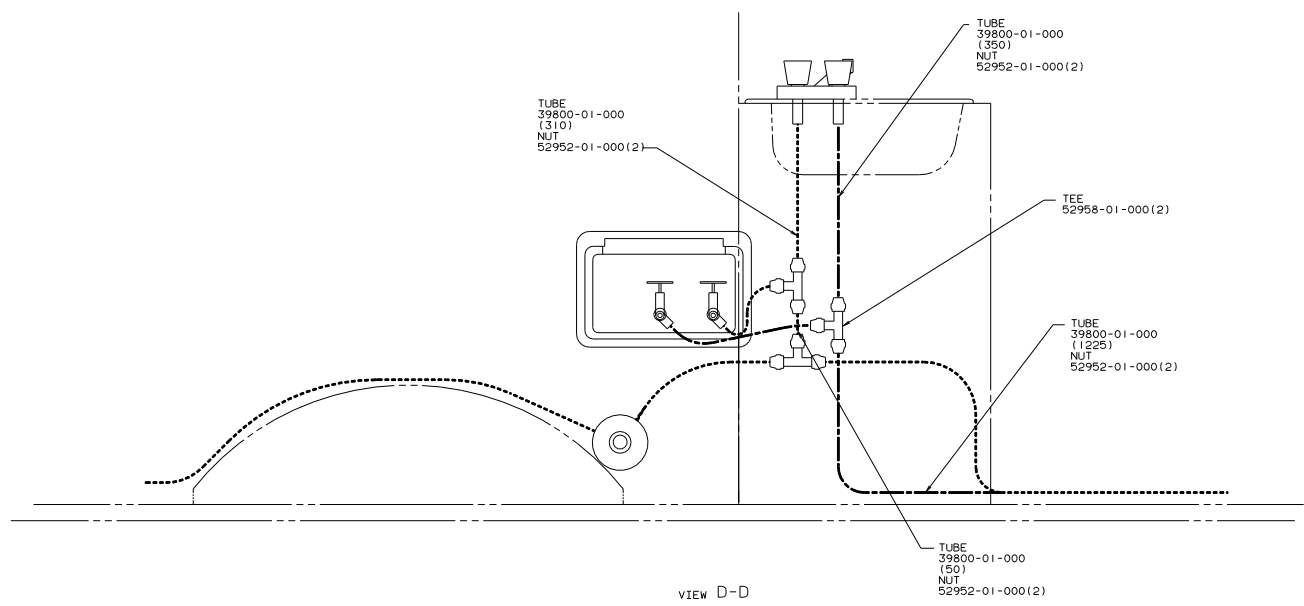
WATER HEATER  
BYPASS OPTION

90 W/IC323RC

TITLE: WATER SYSTEM INSTL		REV	DATE
30 NET SCALE DRAWING	SHEET 2 OF 3	1.1	11/10
		97461	



VIEW C-C



VIEW D-D

EXTERIOR SHOWER OPTION

90 W/IC323RC

TITLE: WATER SYSTEM INSTL		DATE: 11/11/09	BY: J.E.
30-MIN SCALE DRAWING	SHEET 3 OF 3	DATE: 11/11/09	NO: 97461