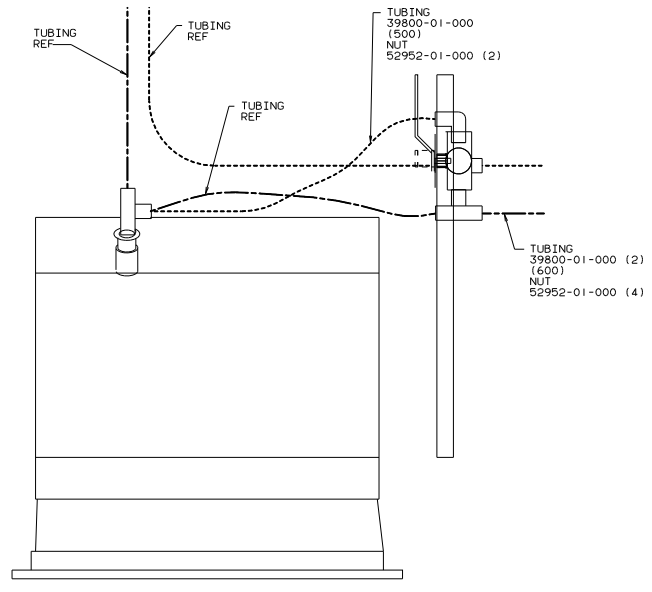


SECTION A-A

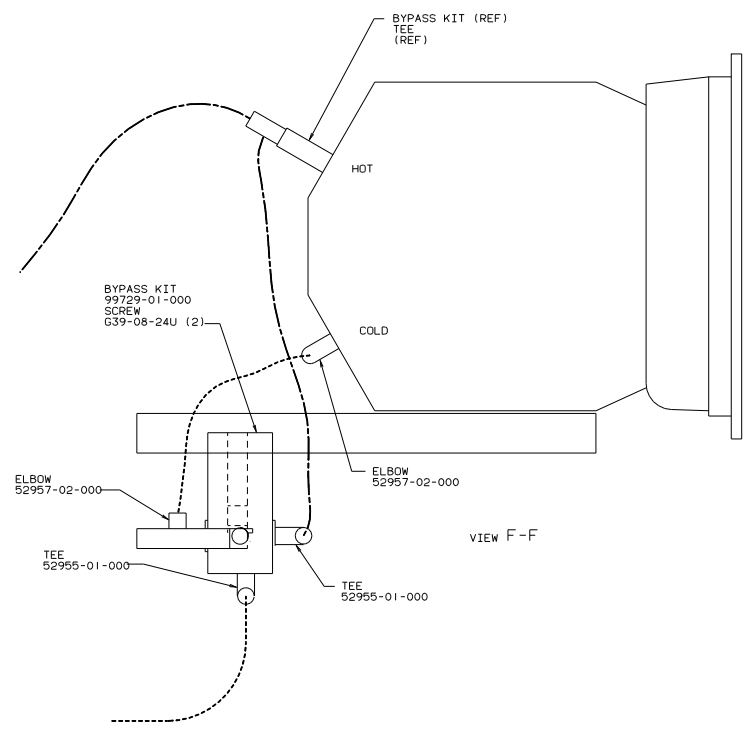
- ⓐ VENT PIPE MUST PROJECT 51" MINIMUM TO 64" MAXIMUM ABOVE ROOF FOR PROPER FIT AND FUNCTION.
- ⓑ SEE DWG 61607-01-000 FOR INSTALLATION OF GROMMET.
- ALL EXTERIOR OPENINGS AROUND PIPE TO BE SEALED WITH 69637-01-000.
  - ALL PIPE AND FITTINGS TO BE ASSEMBLED WITH SOLVENT 4020-01-000.
  - SLOPE OF TRAP ARM MUST BE 6 PER 305.
  - SLOPE OF HORIZONTAL PIPING TO BE 6 PER 305.

WINNAPCO '90 W/IF327RT	
DATE	UNSPECIFIED TOLERANCES ARE:
DRW	WHOLE DIM (IN) ± .5
CHK	ONE-PLACE (IN) ± .1
APP	TWO-PLACE (IN) ± .05
DES	ANGLE
CON	THIRD ANGLE PROJECTION
LAUNCH	TITLE
NO. 1	NO. 1
SCALE: 1:10	NO. NET SCALE DRAWING
ALL DIMENSIONS ARE IN MILLIMETERS	SHEET 1 OF 1
DRAINAGE SYSTEM INSTL	96182





VIEW E-E

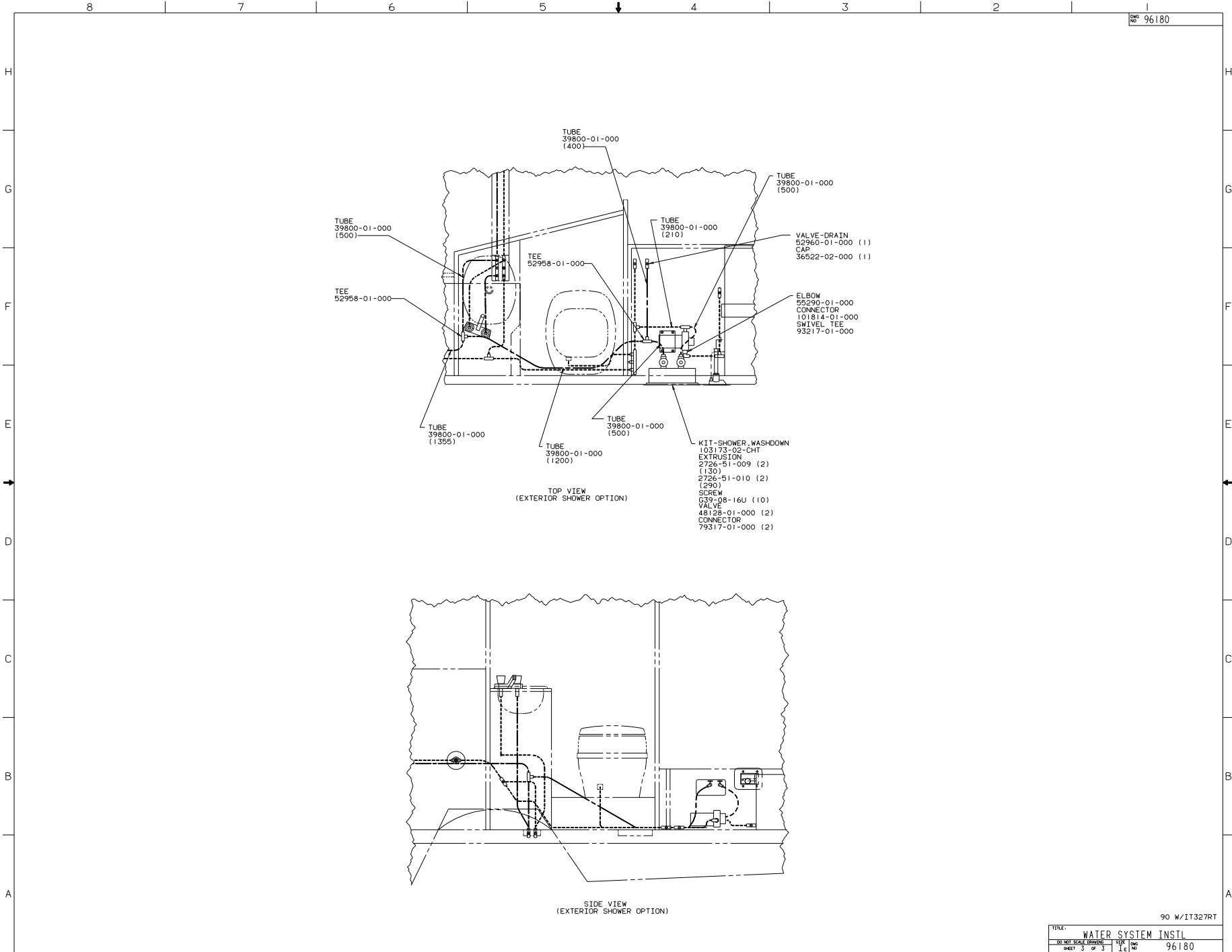


VIEW F-F

WATER HEATER  
 BYPASS OPTION

90 W/IT327RT

TITLE: WATER SYSTEM INSTL		REV	DATE
30 NET SCALE DRAWING	SHEET 2 OF 3	1 E	NO
		96180	



TUBE 39800-01-000 (400)

TUBE 39800-01-000 (500)

TUBE 39800-01-000 (500)

TEE 52958-01-000

TEE 52958-01-000

TUBE 39800-01-000 (1355)

TUBE 39800-01-000 (1200)

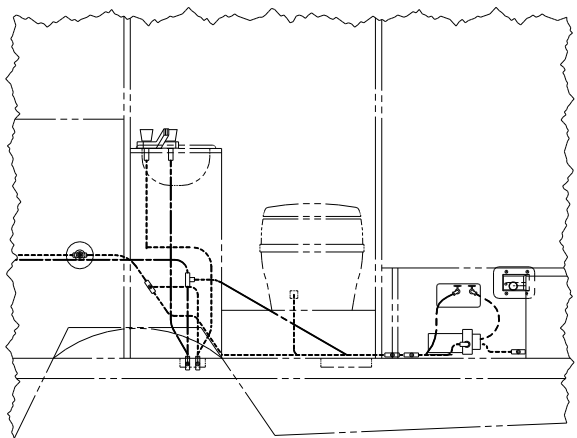
TUBE 39800-01-000 (210)

VALVE-DRAIN 52960-01-000 (1)  
CAP 36522-02-000 (1)

ELBOW 55290-01-000  
CONNECTOR 101814-01-000  
SWIVEL TEE 93217-01-000

KIT-SHOWER, WASHDOWN  
103173-02-CHT  
EXTRUSION  
2726-51-009 (2)  
(130)  
2726-51-010 (2)  
(290)  
SCREW 639-08-16U (10)  
VALVE 48128-01-000 (2)  
CONNECTOR 79317-01-000 (2)

TOP VIEW  
(EXTERIOR SHOWER OPTION)



SIDE VIEW  
(EXTERIOR SHOWER OPTION)