

Ⓐ VENT PIPE MUST PROJECT 51 MINIMUM TO 64 MAXIMUM ABOVE ROOF FOR PROPER FIT AND FUNCTION.

Ⓒ SEE DWG 61607-01-000 FOR INSTALLATION OF GROMMET.

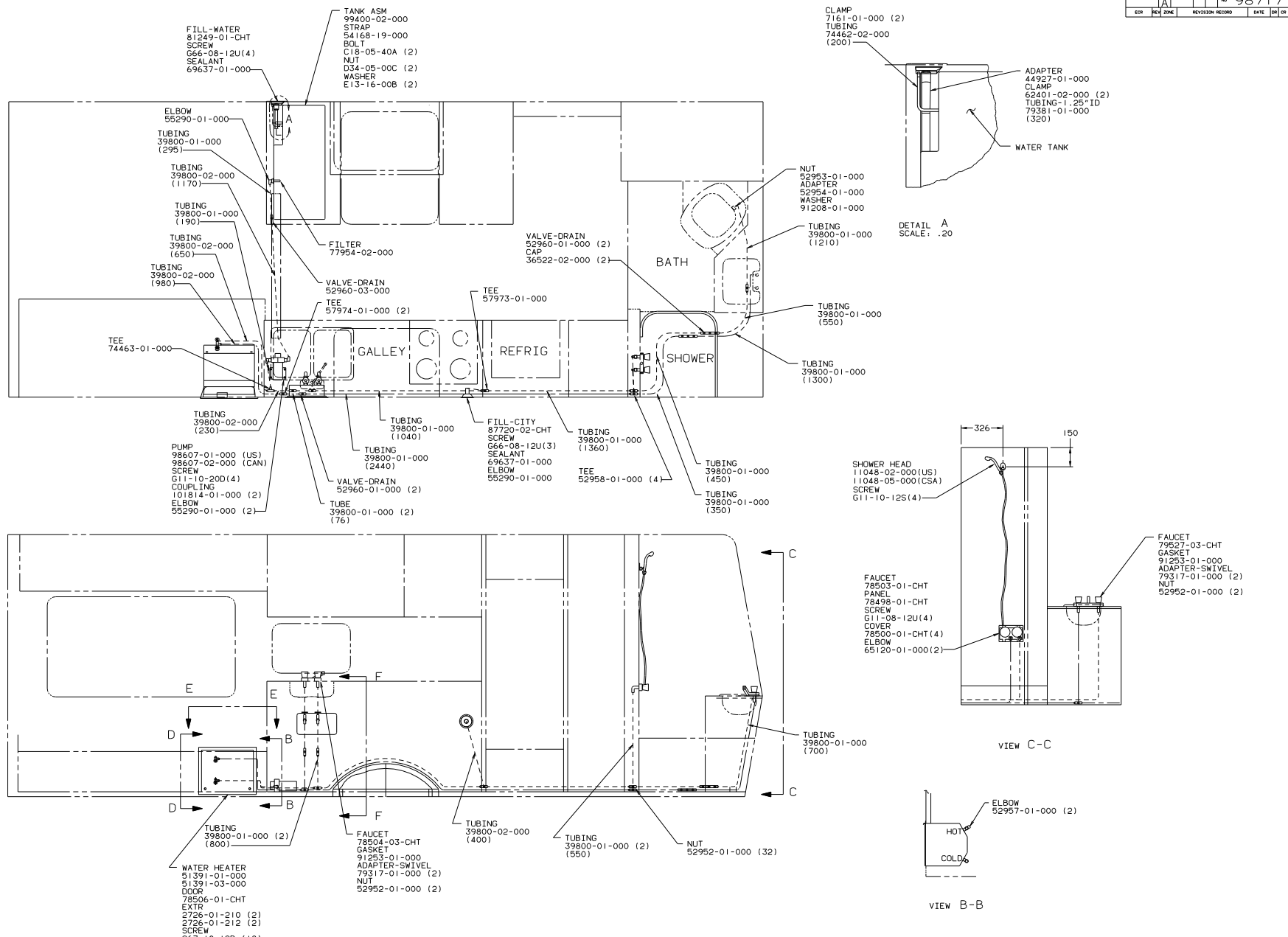
- ALL EXTERIOR OPENINGS AROUND PIPE TO BE SEALED WITH 69637-01-000.
- ALL PIPE AND FITTINGS TO BE ASSEMBLED WITH SOLVENT 4020-01-000.
- SLOPE OF TRAP ARM MUST BE 6 PER 305.
- SLOPE OF HORIZONTAL PIPING TO BE 6 PER 305.

NOTES:

WINNERAGO 90 W/1F327RB

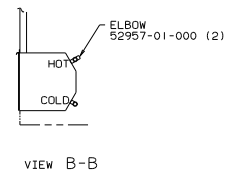
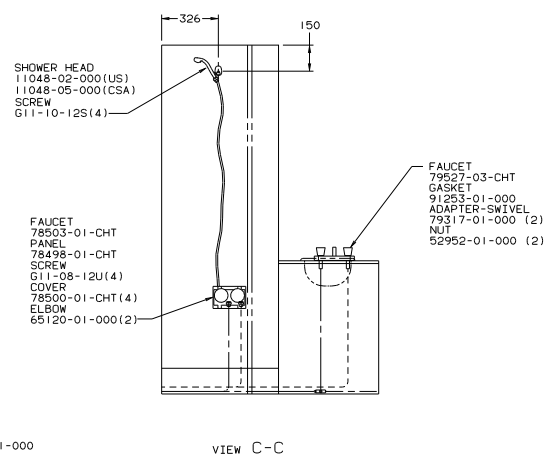
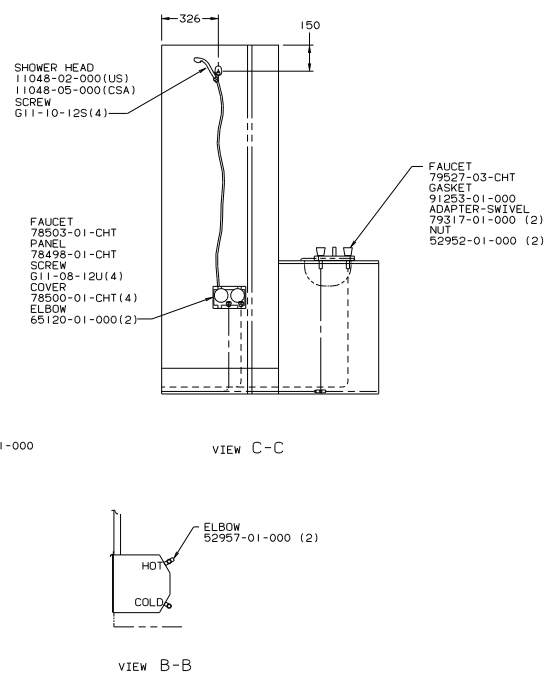
| | | |
|------|-----------------------------|----------|
| DATE | UNSPECIFIED TOLERANCES ARE: | MATERIAL |
| CHOP | ANGLE DIM (1) 1:1 | |
| FILE | ONE-PLACE (1X.X) | |
| FILE | TWO-PLACE (1X.XX) | |
| FILE | ANGLE | |
| FILE | THIRD ANGLE PROJECTION | |

LANE# 327RB0 TITLE: DRAINAGE SYSTEM INSTL
 DIA # SCALE: 1:0 300 NET SCALE DRAWING: 1:0
 ALL DIMENSIONS ARE IN MILLIMETERS SHEET 1 OF 1 ENG 98713

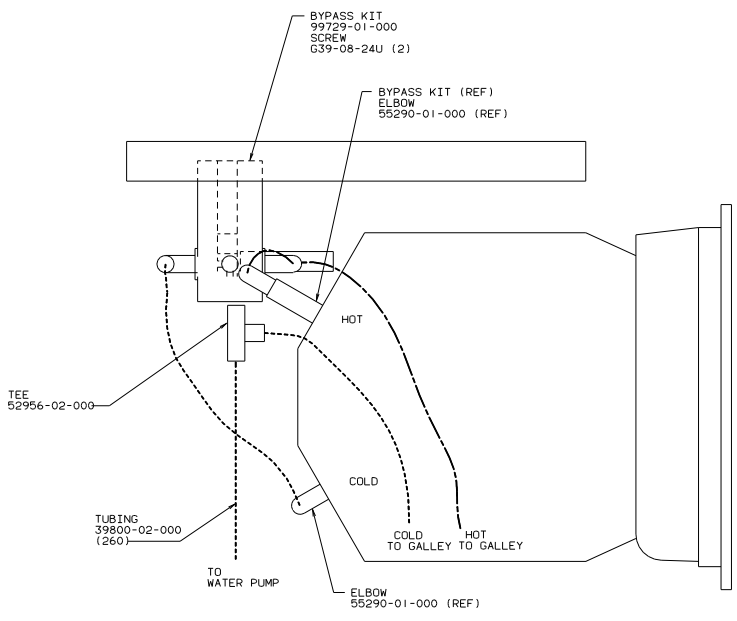


4. USE WITH EXTERIOR SHOWER.
3. ALL TUBING TO BE SECURED AT 1200 INTERVALS MAX WITH CLAMP 10495-01-00 AND SCREW G67-10-12B.
2. TUBING TO BE INSTALLED WITH SUFFICIENT SLOPE TO PROVIDE DRAINAGE TO NEAREST VALVE.
1. PLASTIC FITTINGS TO BE SEALED WITH SEALANT 84456-01-000.

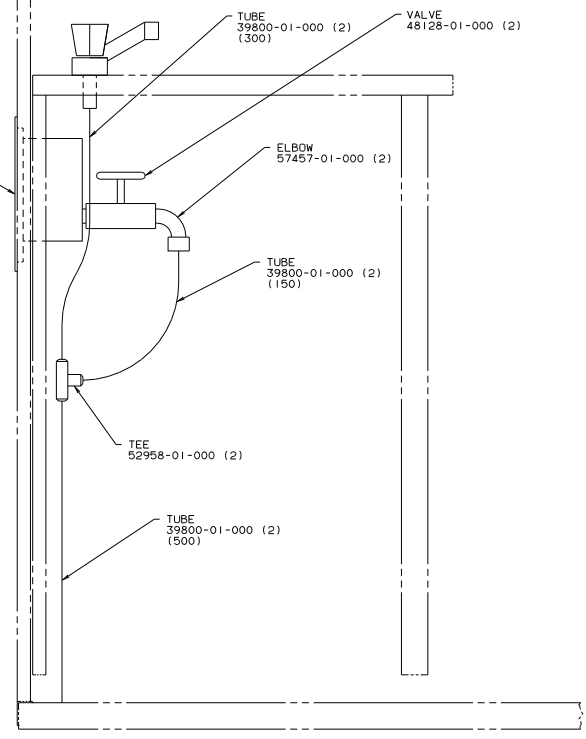
NOTES:



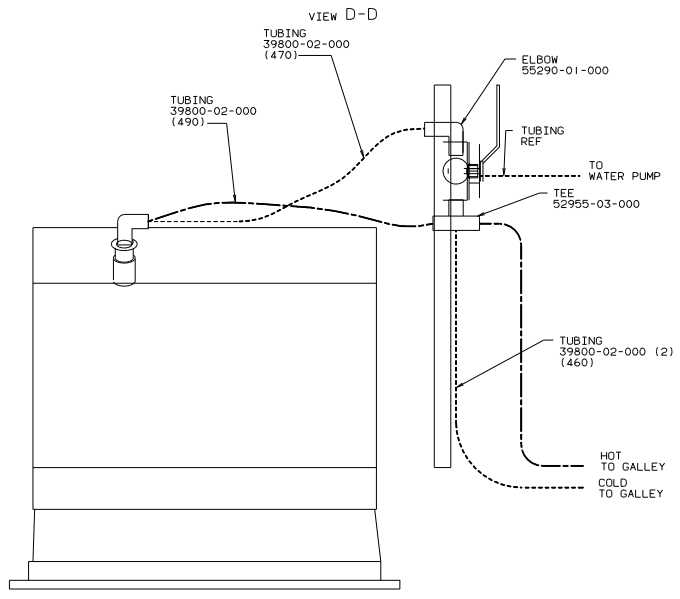
| | | |
|-----------------------------------|-----------------------------|----------------------|
| WINNEBAGO | | 90 W/1F327RB |
| OPTN | UNSPECIFIED TOLERANCES ARE: | MATERIAL |
| CHRP | WHOLE DIM (IN) | + 1.5 |
| FPE | ONE-PLACE (IN.XI) | + 0.8 |
| W/E | TWO-PLACE (IN.XXX) | + 1.2 |
| W/E | ANGLE | |
| CDPR | THRU HOLES | |
| LAND# 327RB0 | TITLE: WATER SYSTEM INSTL | |
| DIA # | SCALE: NONE | DO NOT SCALE DRAWING |
| ALL DIMENSIONS ARE IN MILLIMETERS | SHEET 1 OF 2 | SIZE 11x17 |
| | | 98717 |



KIT-SHOWER_WASHDOWN
 103173-02-CHT
 EXTRUSION
 2726-51-009 (2)
 (130)
 2726-51-010 (2)
 (290)
 SCREW
 G39-08-16U (10)



VIEW F-F
(EXTERIOR SHOWER OPTION)



WATER HEATER
BYPASS OPTION

90 W/IT327RB

| | | | |
|---------------------------|--------------|-------|------|
| TITLE: WATER SYSTEM INSTL | | REV | DATE |
| 30 NET SCALE DRAWING | SHEET 2 OF 2 | 1.1 | NO |
| | | 98717 | |