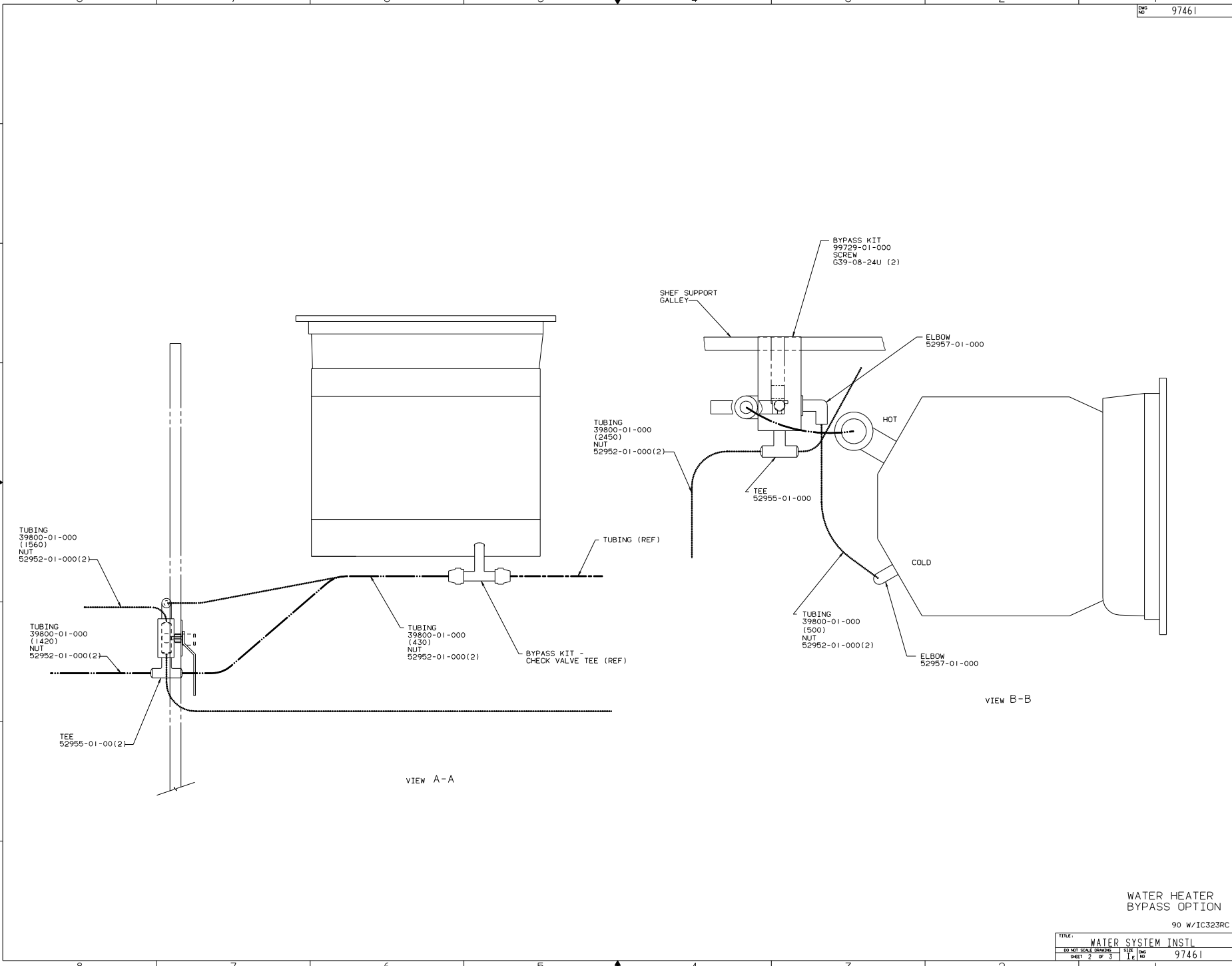


- (8) USE WITH WATER FILTER EXCHANGE.
- (7) USE W/EIGHT TERMINAL WIRE ASM ONLY.
- (6) USE W/FOUR TERMINAL WIRE ASM ONLY.
- (5) USE WITH AQUA TV TOILET.
- (4) USE WITH AQUA MAGIC TOILET.

3. ALL TUBING TO BE SECURED AT 1200 INTERVALS MAX WITH CLAMP 10495-01-00 AND SCREW G67-10-12B.
2. TUBING TO BE INSTALLED WITH SUFFICIENT SLOPE TO PROVIDE DRAINAGE TO NEAREST VALVE.
1. PLASTIC FITTINGS TO BE SEALED WITH SEALANT 84456-01-000.

LEGEND
 HOT LINES ———
 COLD LINES - - - - -

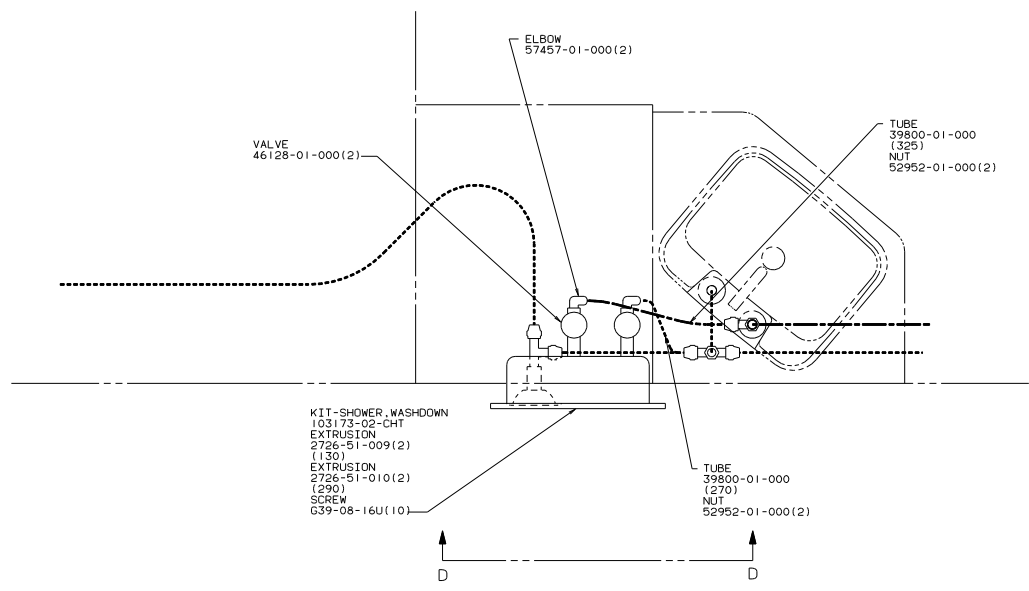
		90 W/1C323RC
DATE	UNSPECIFIED TOLERANCES ARE:	MATERIAL
CHG	WHOLE DIM (IN)	
PL	ONE-PLACE (IN, IN)	
PL	TWO-PLACE (IN, IN)	
ANG	ANGLE	
CON	THIRD ANGLE PROJECTION	
TITLE: WATER SYSTEM INSTL		
DIA # SCALE: NONE ALL DIMENSIONS ARE IN MILLIMETERS	SHEET 1 OF 3 REF: 80423	97461



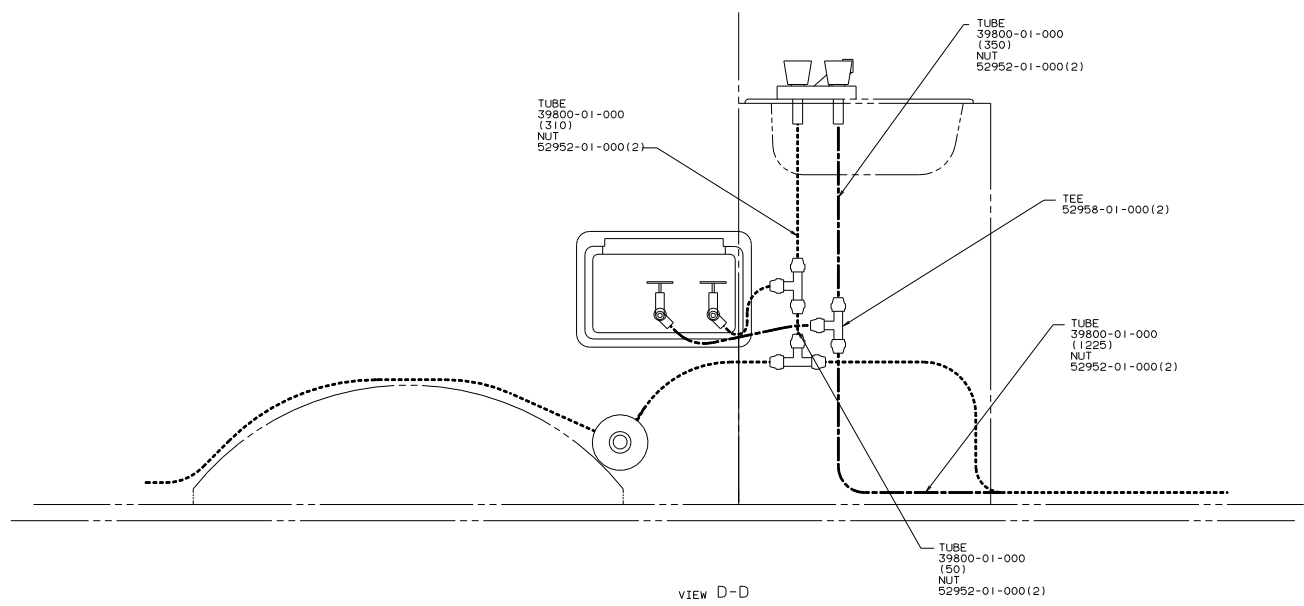
WATER HEATER BYPASS OPTION

90 W/IC323RC

TITLE: WATER SYSTEM INSTL		REV	DATE
30 NET SCALE DRAWING	SHEET 2 OF 3	1.1	NO
		97461	



VIEW C-C



VIEW D-D

EXTERIOR
SHOWER
OPTION

90 W/IC323RC

TITLE: WATER SYSTEM INSTL		DATE	REV
30 MET SCALE DRAWING	3 OF 3	1.1	1
SHEET		NO 97461	