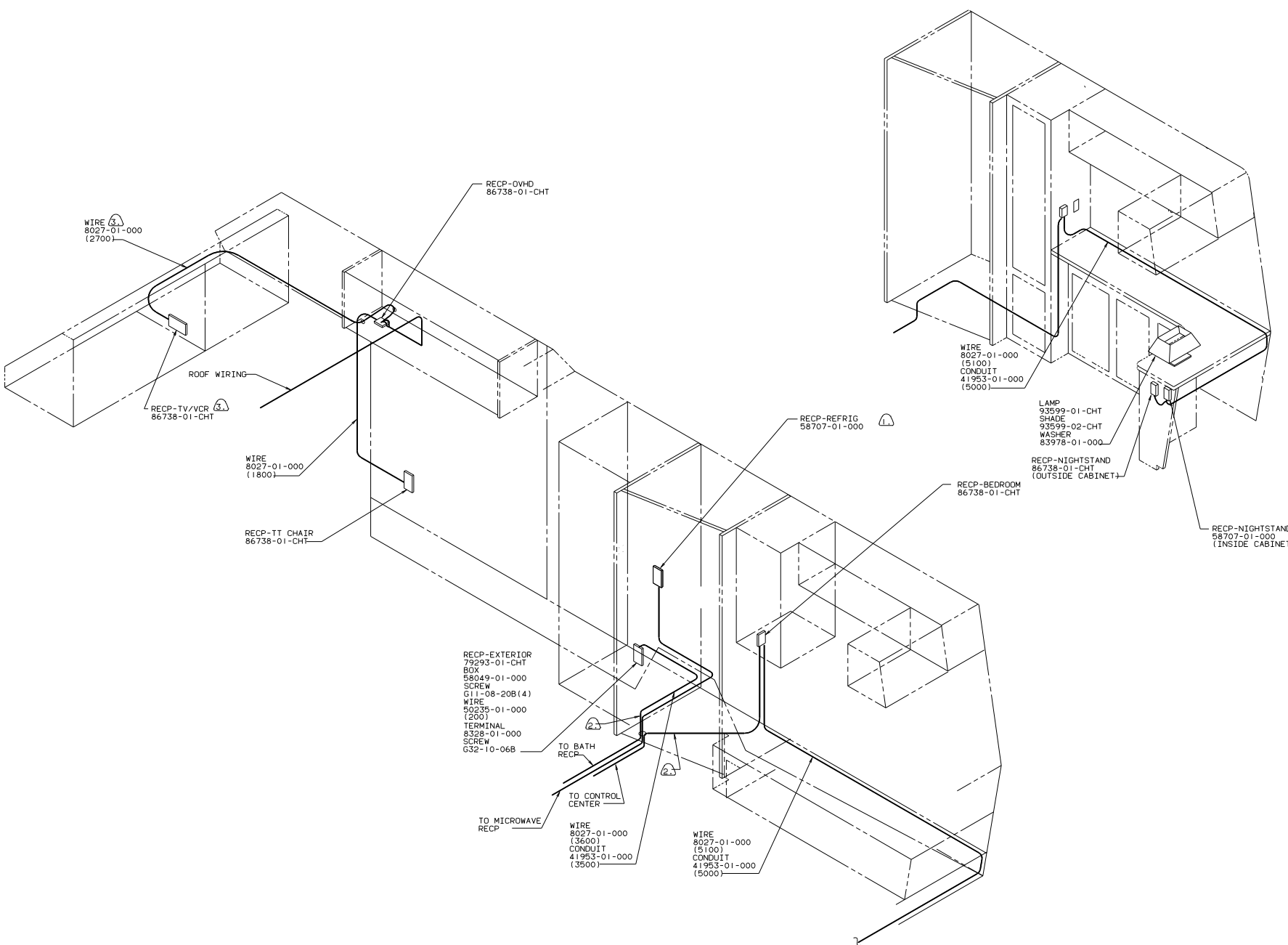


- NOTES:
- WIRE ROUTED IN FLOOR.
 - INSTALL RECEPTACLE WITH GROUND TOWARD OUTBOARD SIDE OF VEHICLE.
 - SEAL WITH BEDDING COMPOUND 69639-01-000.
 - USE WITH GENERATOR ONLY.
3. ALL GROUND WIRES TO BE COVERED WITH TUBING 8041-02-000.
2. ALL 110V WIRES ARE TO BE CLAMPED WITH CLAMP 10497-05-000 WITHIN 200 OF OUTLET BOXES. USE SCREW G67-10-12B.
1. ALL WIRES TO BE CLAMPED WITH CLAMP 10495-01-000 OR CLIP 80734-01-000 EVERY 220. USE SCREW G67-10-12B UNLESS OTHERWISE SPECIFIED.

110V (US)

WINNEBAGO		90 W/1F427RT
QTY	UNSPECIFIED TOLERANCES ARE:	MATERIAL
CHP	ANGLE DIM (IN)	
FR	ONE-PLATE (IN.XI)	
PL	TWO-PLATE (IN.XXX)	
CDR	ANGLE	
LAND	THRU HOLE PROJECTION	
TITLE: WIRING INSTL-BODY		99976
DIA #	SCALE: NONE	DO NOT SCALE DRAWING
ALL DIMENSIONS ARE IN MILLIMETERS	SHEET 1 OF 10	FILE NO

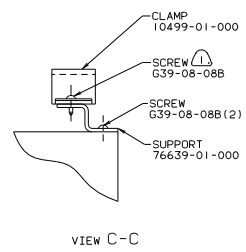
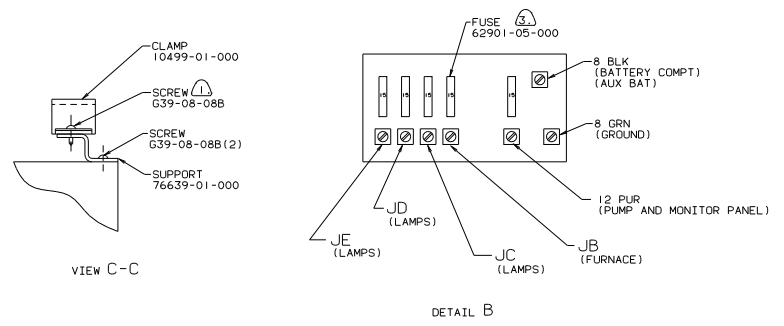
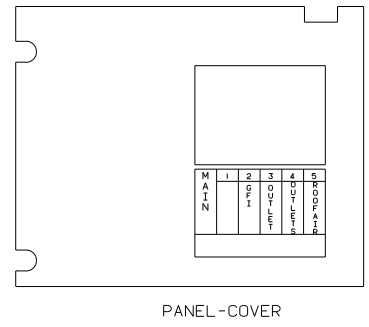
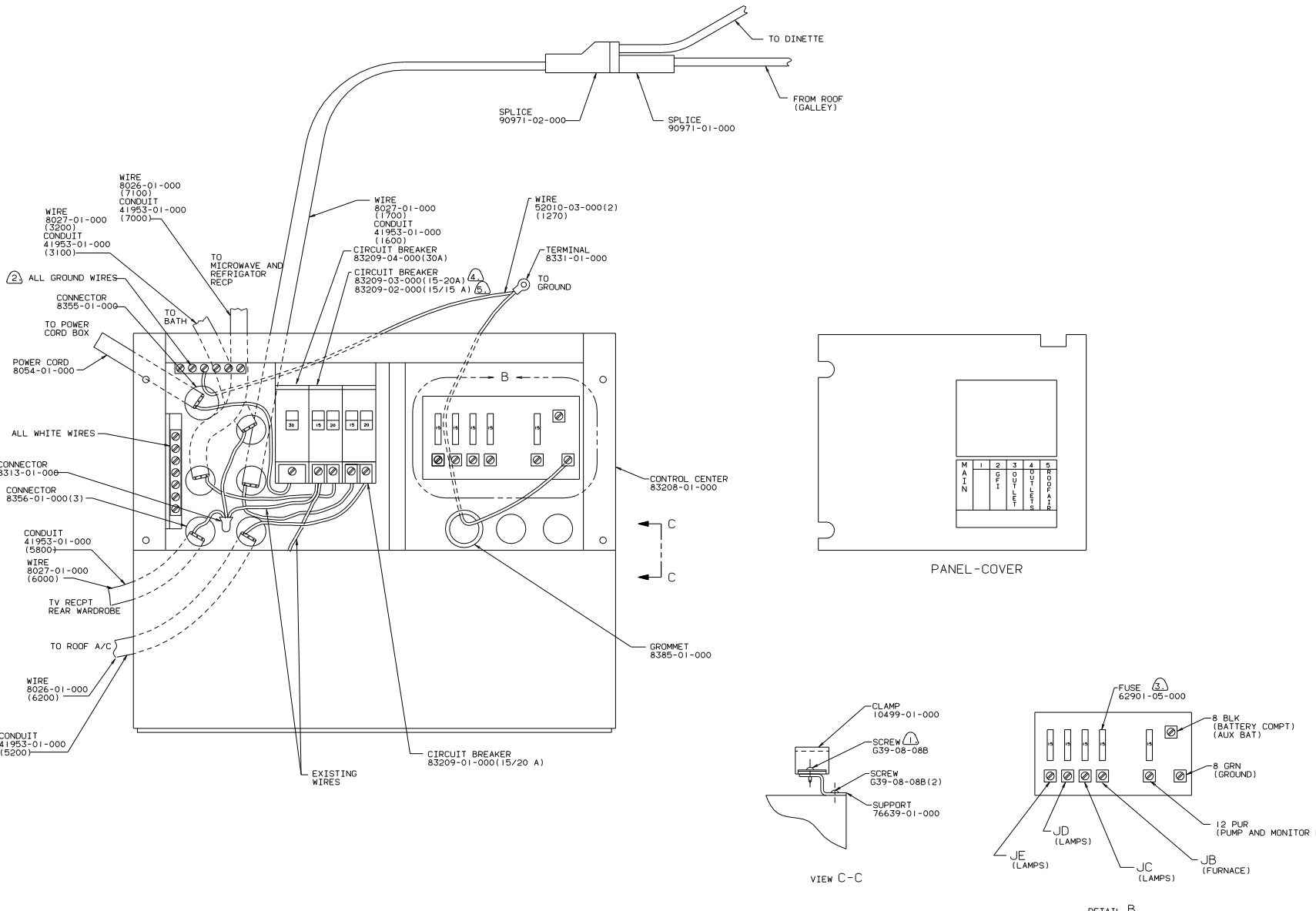


- ③ USE WITH FRONT ENTERTAINMENT CENTER.
- ② WIRE ROUTED IN FLOOR.
- ① LOCATE TOP OF REFRIGERATOR RECP 350 ABOVE SHELF.

NOTES:

110V (US)
90 W/IF427RT

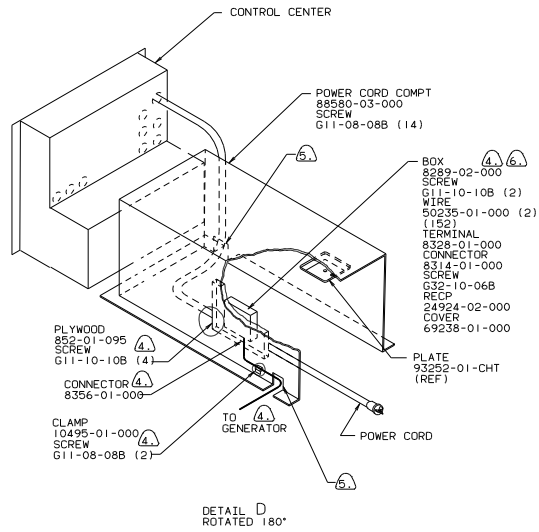
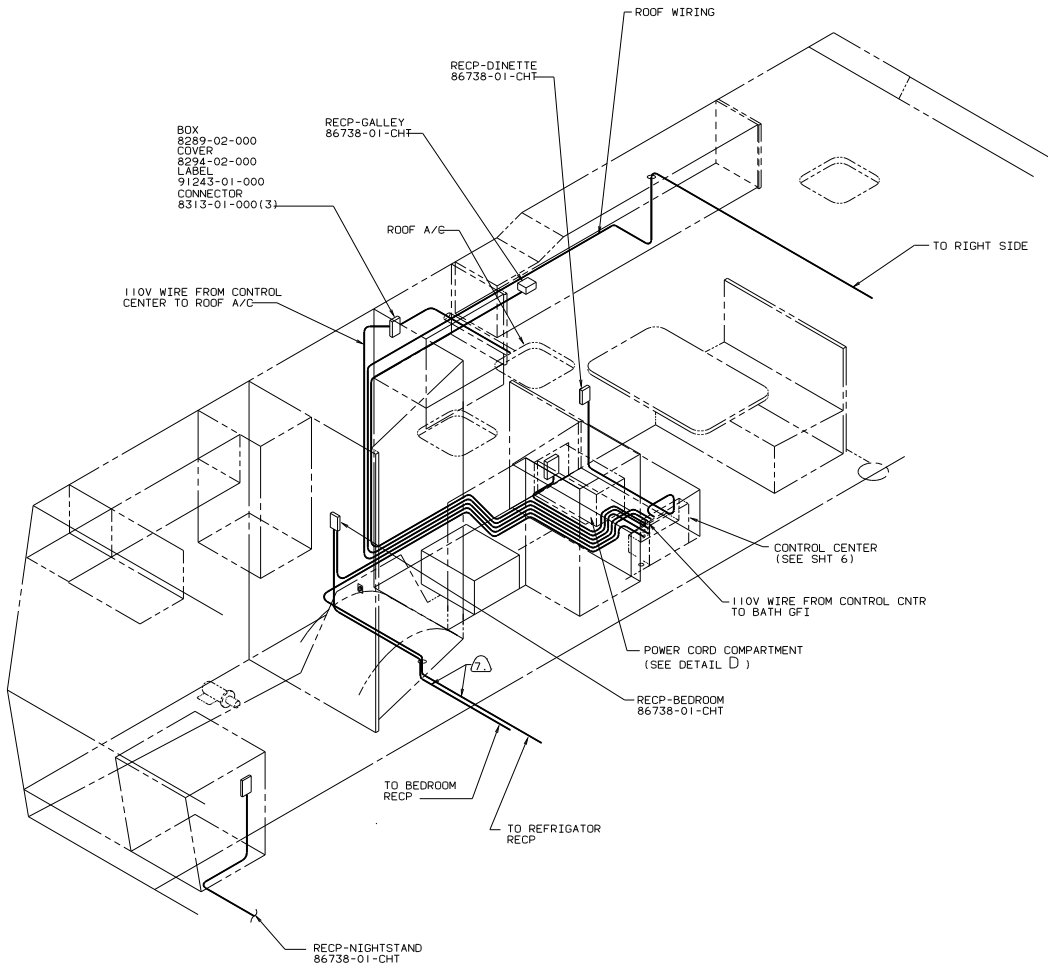
TITLE: WIRING INSTL-BODY	
30 NET SCALE DRAWING	FILE NO
SHEET 2 OF 10	99976



- NOTES:
- ⑤ USE WITHOUT MICROWAVE.
 - ④ USE WITH MICROWAVE.
 - ③ FUSES SUPPLIED WITH CONTROL CENTER.
 - ② ALL GROUND WIRES TO BE COVERED WITH TUBING 8041-02-000.
 - ① FASTEN ALL WIRES TO SUPPORT, USE ONE SCREW PER CLAMP.

CONTROL CENTER (US)
90 W/IF427RT

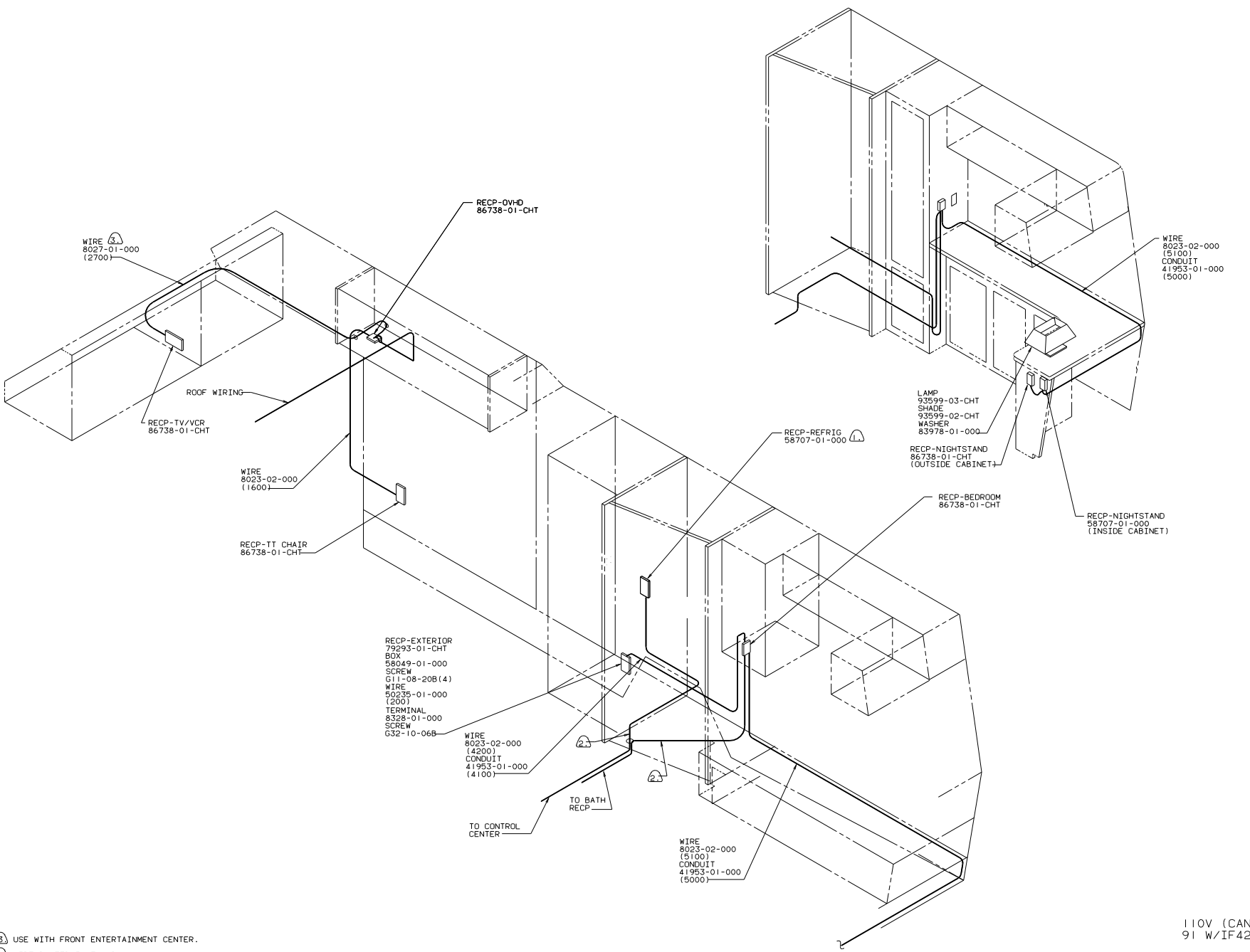
TITLE	WIRING INSTL-BODY
30 NET SCALE DRAWING	FILE NO
SHEET 3 OF 10	DWG NO 99976



- ⑦ WIRE ROUTED IN FLOOR.
 - ⑥ INSTALL RECEPTACLE WITH GROUND TOWARD OUTBOARD SIDE OF VEHICLE.
 - ⑤ SEAL WITH BEDDING COMPOUND 69639-01-000.
 - ④ USE WITH GENERATOR ONLY.
3. ALL GROUND WIRES TO BE COVERED WITH TUBING 8041-02-000.
 2. ALL 110V WIRES ARE TO BE CLAMPED WITH CLAMP 10497-05-000 WITHIN 200 OF OUTLET BOXES. USE SCREW G67-10-12B.
 1. ALL WIRES TO BE CLAMPED WITH CLAMP 10495-01-000 OR CLIP 80734-01-000 EVERY 1220. USE SCREW G67-10-12B UNLESS OTHERWISE SPECIFIED.

110V (CAN)
90 W/IF427RT

TITLE: WIRING INSTL-BODY	
30 NET SCALE DRAWING	FIG 1E
SHEET 4 OF 10	99976

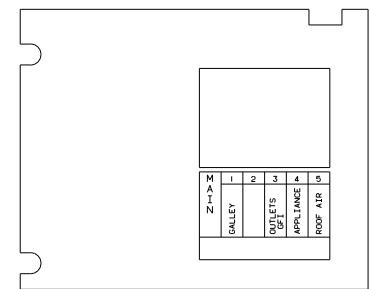
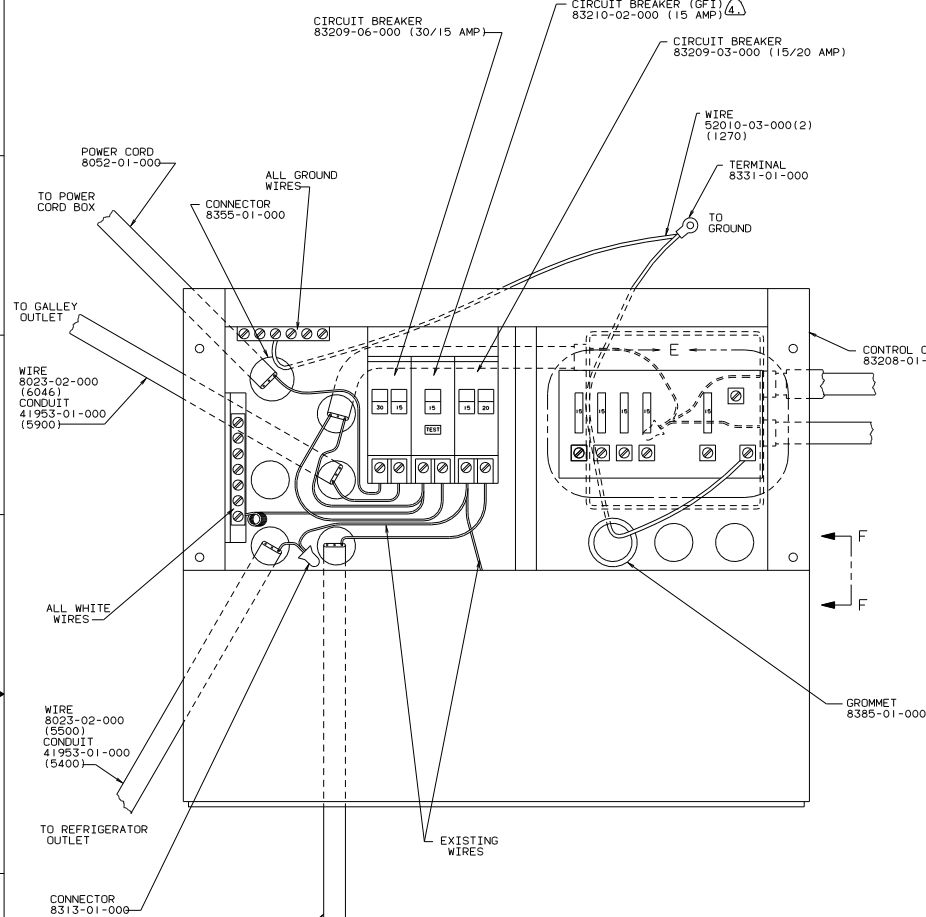


- ③ USE WITH FRONT ENTERTAINMENT CENTER.
- ② WIRE ROUTED IN FLOOR.
- ① LOCATE TOP OF REFRIGERATOR RECPT 350 ABOVE SHELF.

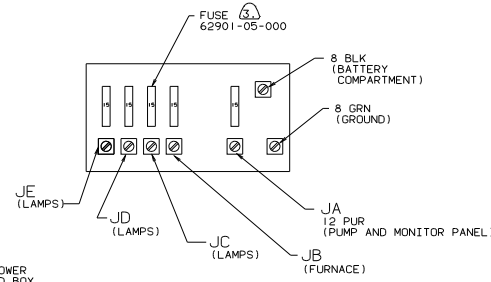
NOTES:

110V (CAN)
91 W/IF427RT

TITLE: WIRING INSTL-BODY	
30 NET SCALE DRAWING	FILE NO
SHEET 5 OF 10	99976

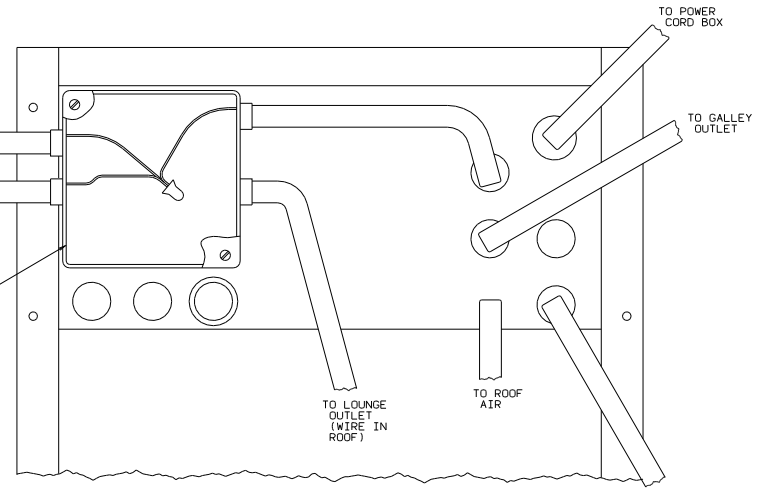


PANEL-COVER

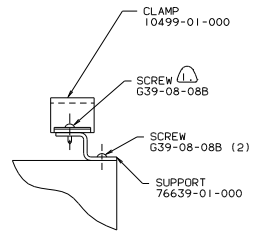


DETAIL E

- BOX 8289-02-000
- CONNECTOR 8355-01-000 (3)
- COVER 8294-02-000
- CONNECTOR 8311-01-000 (3)
- WIRE 50235-01-000 (152)
- SCREW G39-08-08B (2)
- TERMINAL 8328-01-000
- CONNECTOR 8313-01-000
- SCREW G39-10-06B



REAR VIEW OF CONTROL CENTER

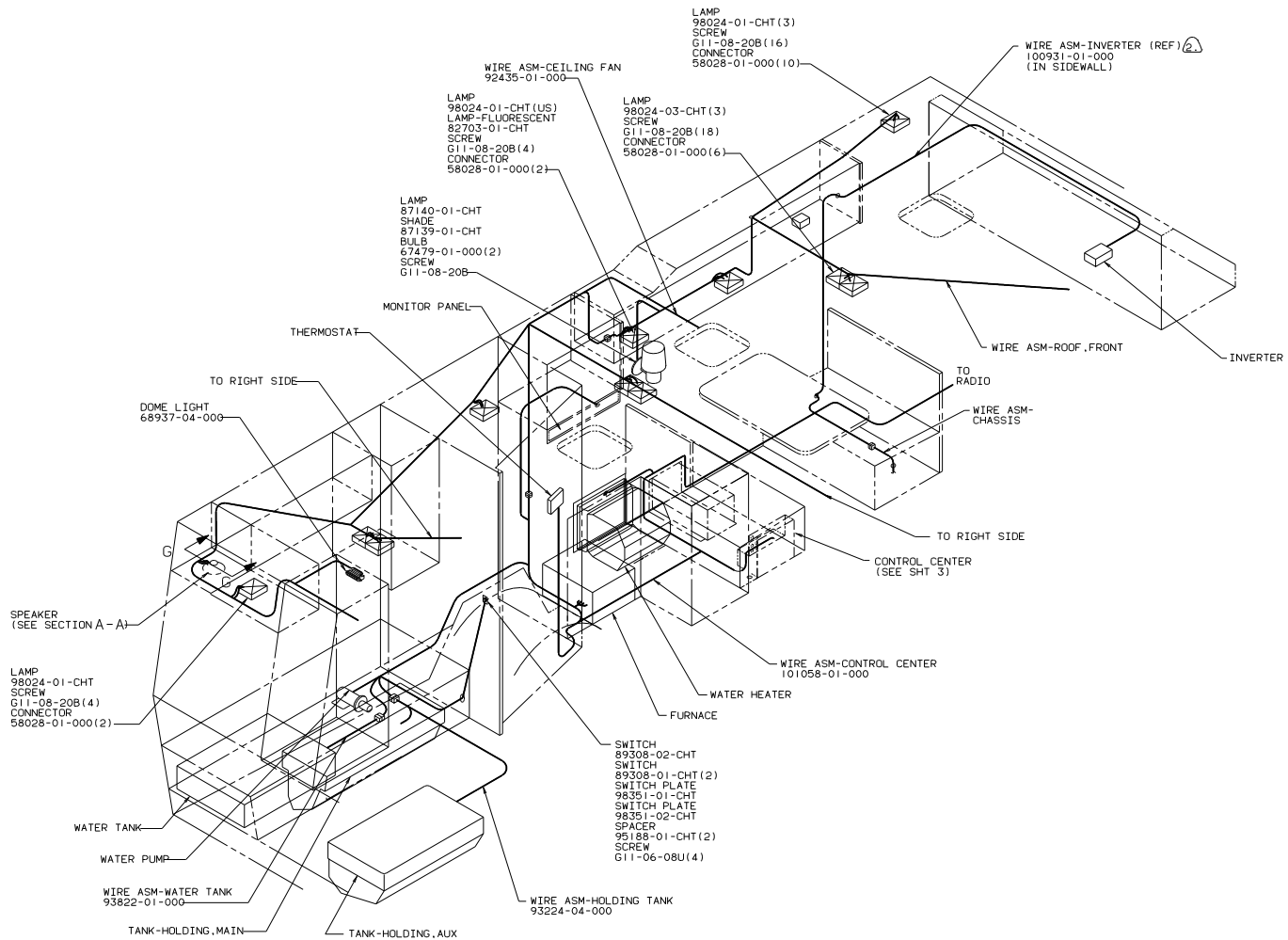


VIEW F-F

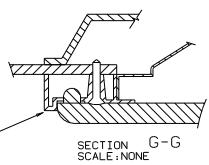
CONTROL CENTER (CAN)
90 W/IF427RT

- ④ LONG WHITE WIRE WITH COIL CONNECTS TO NEUTRAL BAR; SHORT WHITE WIRE CONNECTS TO NEUTRAL (WHITE) SIDE OF CIRCUIT. BLACK WIRE FROM CIRCUIT CONNECTS TO SCREW TERMINAL ON GROUND FAULT INTERRUPTER BREAKER (GFI).
- ③ FUSES SUPPLIED WITH CONTROL CENTER.
- ② ALL GROUND WIRES TO BE COVERED WITH TUBING 8041-02-000.
- ① FASTEN ALL WIRES TO SUPPORT, USE ONE SCREW PER CLAMP.

NOTES:



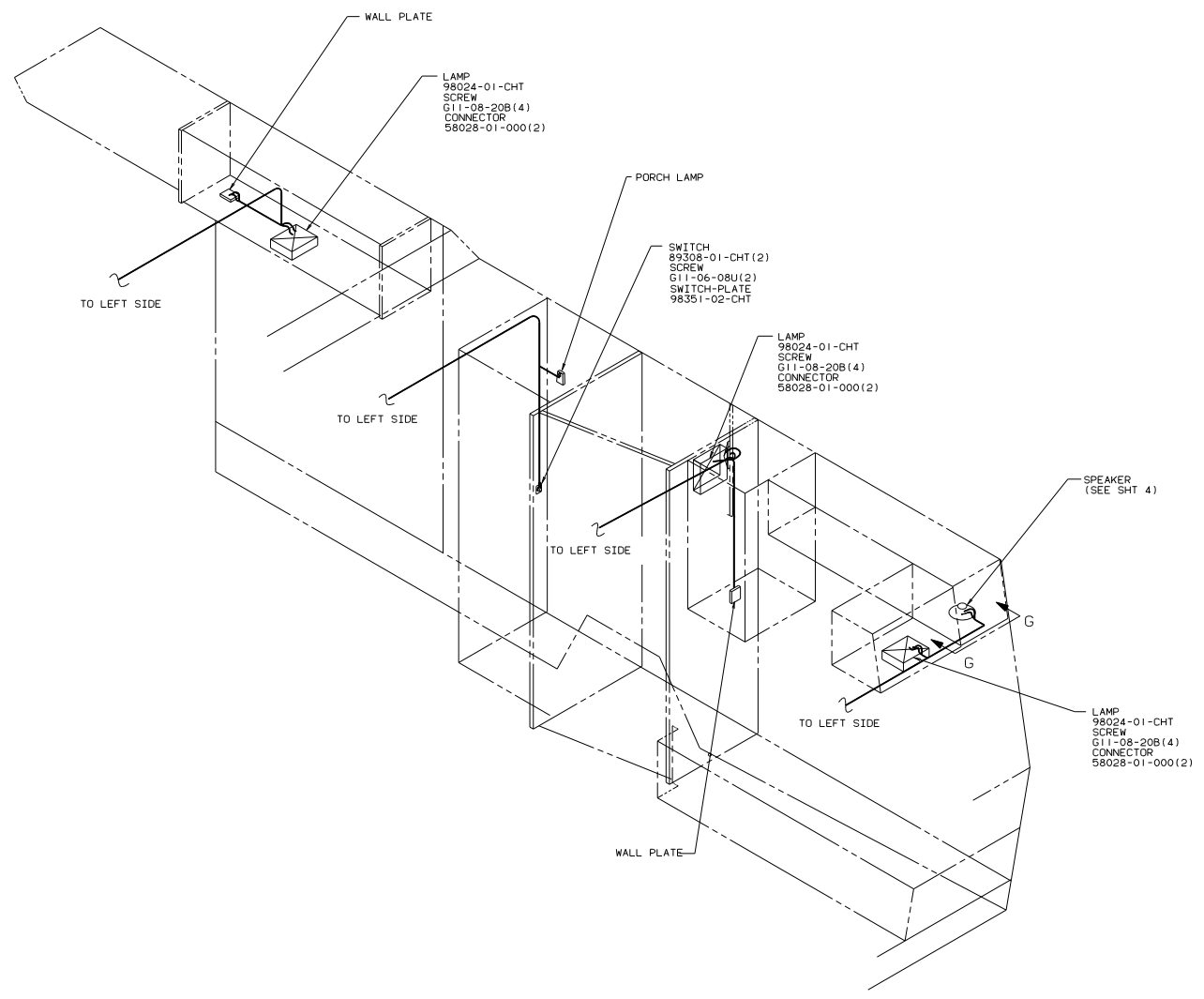
- SPEAKER 94097-01-000(2)
- SPEAKER-GRILLE 90026-01-CHT(2)
- SCREW G13-06-12B(4)



- Ⓜ USED WITH ENTERTAINMENT CENTER.
- Ⓛ SEE DRAWING 84358-01-000 FOR MONITOR PANEL WIRING.

12V (US/CAN)
90 W/IF427RT

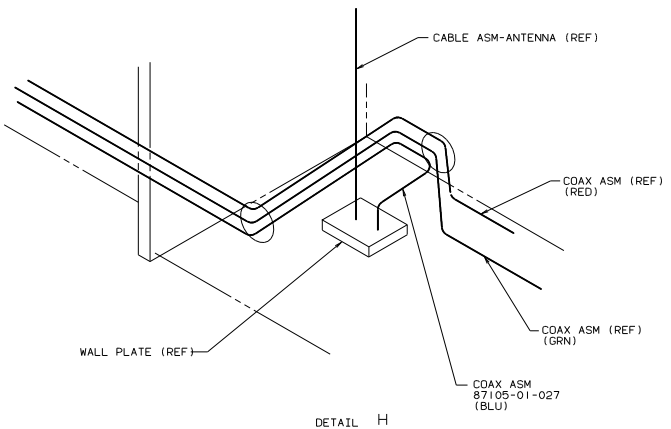
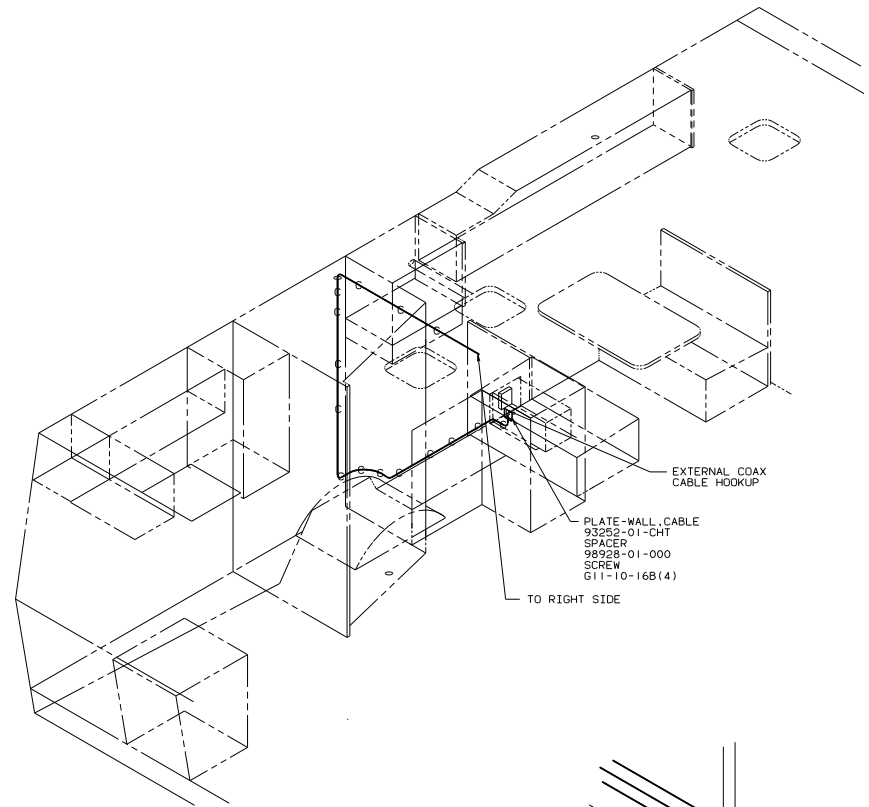
TITLE: WIRING INSTL-BODY	
30 NET SCALE DRAWING	FILE NO
SHEET 7 OF 10	1 E
99976	



ATTACH 8 GRN WIRE TO REFRIGERATOR BONDING TERMINAL LOCATED BENEATH GAS MANIFOLD WITH NUT D24-10-008.

12V (US/CAN)
90 W/IF427RT

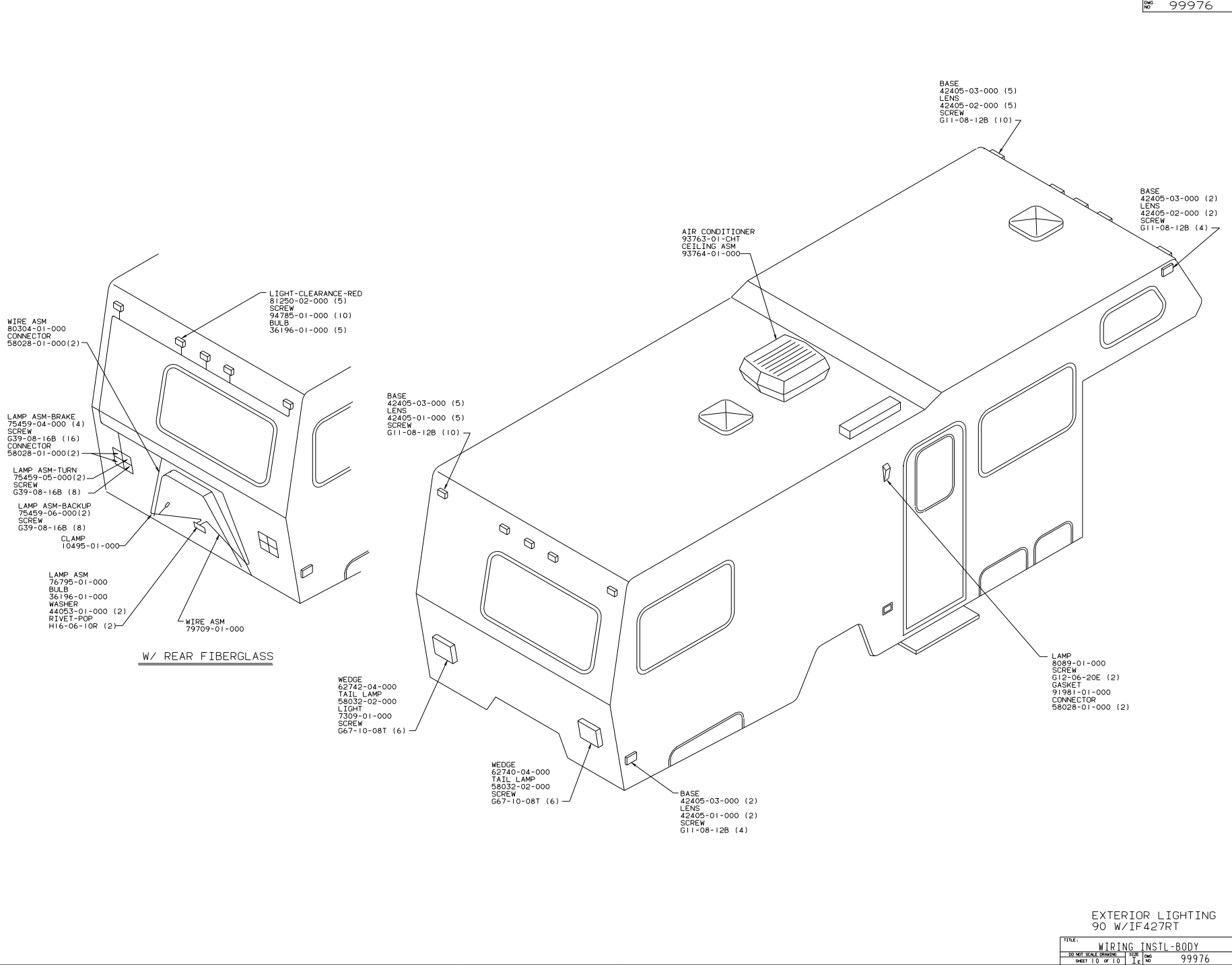
TITLE: WIRING INSTL-BODY	
30 NET SCALE DRAWING	FILE NO
SHEET 8 OF 10	99976



9. AEE ENTERTAINMENT CENTER INSTALLATION.
- ② SEE DRAWING 732789-01-000 FOR MONITOR PANEL SENSOR INSTALLATION.
 - 7. SEE DRAWING 84288-01-000 WIRING DIAGRAM-MONITOR PANEL FOR MONITOR WIRING.
 - ④ ADD RUBBER BUMPER TO ROOF UNDER EACH END OF ANTENNA IN DOWN POSITION WHICH MAY COME INTO CONTACT WITH ROOF
 - ⑤ ADAPTER-COAX SUPPLIED LOOSE IN VEHICLE.
 - ④ LOCATE TO RETAIN CABLE BUT ONT TO RESTRICT ANTENNA TRAVEL.
 - ③ USE WITH TELEVISION EXCHANGE ONLY.
 - ② SEE DRAWING 76319-01-000 FOR INSTALLATION OF TV ANTENNA.
 - ① MOUNT SECURELY TO CABINET OR SIDEWALL.

COAX CABLE 90 W/IF427RT

TITLE: WIRING INSTL-BODY	
30 NET SCALE DRAWING	REV 1.0
SHEET 9 OF 10	FIG NO 99976



BASE
42405-03-000 (5)
LENS
42405-02-000 (5)
SCREW
G11-08-12B (10)

BASE
42405-03-000 (2)
LENS
42405-02-000 (2)
SCREW
G11-08-12B (4)

AIR CONDITIONER
93763-01-CHT
CEILING ASM
93764-01-000

LIGHT-CLEARANCE-RED
81250-02-000 (5)
SCREW
94785-01-000 (10)
BULB
36196-01-000 (5)

WIRE ASM
80304-01-000
CONNECTOR
58028-01-000(2)

LAMP ASM-BRAKE
75459-04-000 (4)
SCREW
G39-08-16B (16)
CONNECTOR
58028-01-000(2)

LAMP ASM-TURN
75459-05-000(2)
SCREW
G39-08-16B (8)

LAMP ASM-BACKUP
75459-06-000(2)
SCREW
G39-08-16B (8)

CLAMP
10495-01-000

LAMP ASM
76795-01-000
BULB
36196-01-000
WASHER
44053-01-000 (2)
RIVET-POP
H16-06-10R (2)

WIRE ASM
79709-01-000

W/ REAR FIBERGLASS

BASE
42405-03-000 (5)
LENS
42405-01-000 (5)
SCREW
G11-08-12B (10)

WEDGE
62742-04-000
TAIL LAMP
58032-02-000
LIGHT
7309-01-000
SCREW
G67-10-08T (6)

WEDGE
62740-04-000
TAIL LAMP
58032-02-000
SCREW
G67-10-08T (6)

BASE
42405-03-000 (2)
LENS
42405-01-000 (2)
SCREW
G11-08-12B (4)

LAMP
8089-01-000
SCREW
G12-06-20E (2)
GASKET
91981-01-000
CONNECTOR
58028-01-000 (2)

EXTERIOR LIGHTING
90 W/IF427RT

TITLE		WIRING INSTL-BODY	
30 NET SCALE DRAWING	FILE	ENG	NO
SHEET 10 OF 10	1E		99976