

- BOX 93603-01-000
- COVER 53337-01-000
- LABEL 91243-01-000
- SCREW G11-08-12B (2)
- G32-10-06B
- WIRE 50235-01-000 (150)
- TERMINAL 8328-01-000
- CONNECTOR 8311-01-000 (3)
- 8356-01-000

- RECP-BATH (GFI) 84100-01-CHT
- BOX 8268-01-000
- COVER 84099-01-CHT
- WIRE 50235-01-000 (150)
- SCREW G11-10-16B (4)
- CONNECTOR 8313-01-000

- NOTES:
1. ALL WIRES TO BE CLAMPED WITH CLAMP 10495-01-000 OR CLIP 80734-01-000 EVERY 1220. USE SCREW G67-10-12B UNLESS OTHERWISE SPECIFIED.
 2. ALL 110V WIRES ARE TO BE CLAMPED WITH CLAMP 10497-05-000 WITHIN 200 OF OUTLET BOXES. USE SCREW G67-10-12B.
 3. ALL GROUND WIRES TO BE COVERED WITH TUBING 8041-02-000.
 4. USE WITH GENERATOR ONLY.
 5. SEAL WITH BEDDING COMPOUND 69639-01-000.
 6. INSTALL RECP TACLE WITH GROUND TOWARD OUTBOARD SIDE OF VEHICLE.
 7. LOCATE REFRIGERATOR RECP 350 ABOVE SHELF.
 8. ATTACH 8 GRN TO REFRIGERATOR BONDING TERMINAL, LOCATED BENEATH GAS MANIFOLD, WITH NUT D24-10-00B.
 9. USE WITHOUT ROOF AIR CONDITIONER.
 10. WITH MICROWAVE ONLY.
 11. USE WITH FRONT ENTERTAINMENT CENTER.

110V (US)

90 W/1F424RC

WINNERAGO

| | | |
|------|-----------------------------|----------|
| QTY | UNSPECIFIED TOLERANCES ARE: | MATERIAL |
| CHDR | FRAMES 0.015 | |
| PL | ONE-PLATE 0.015 | |
| PL | TWO-PLATE 0.015 | |
| DR | DRILLING | |
| CDR | THROUGH HOLE PROJECTION | |

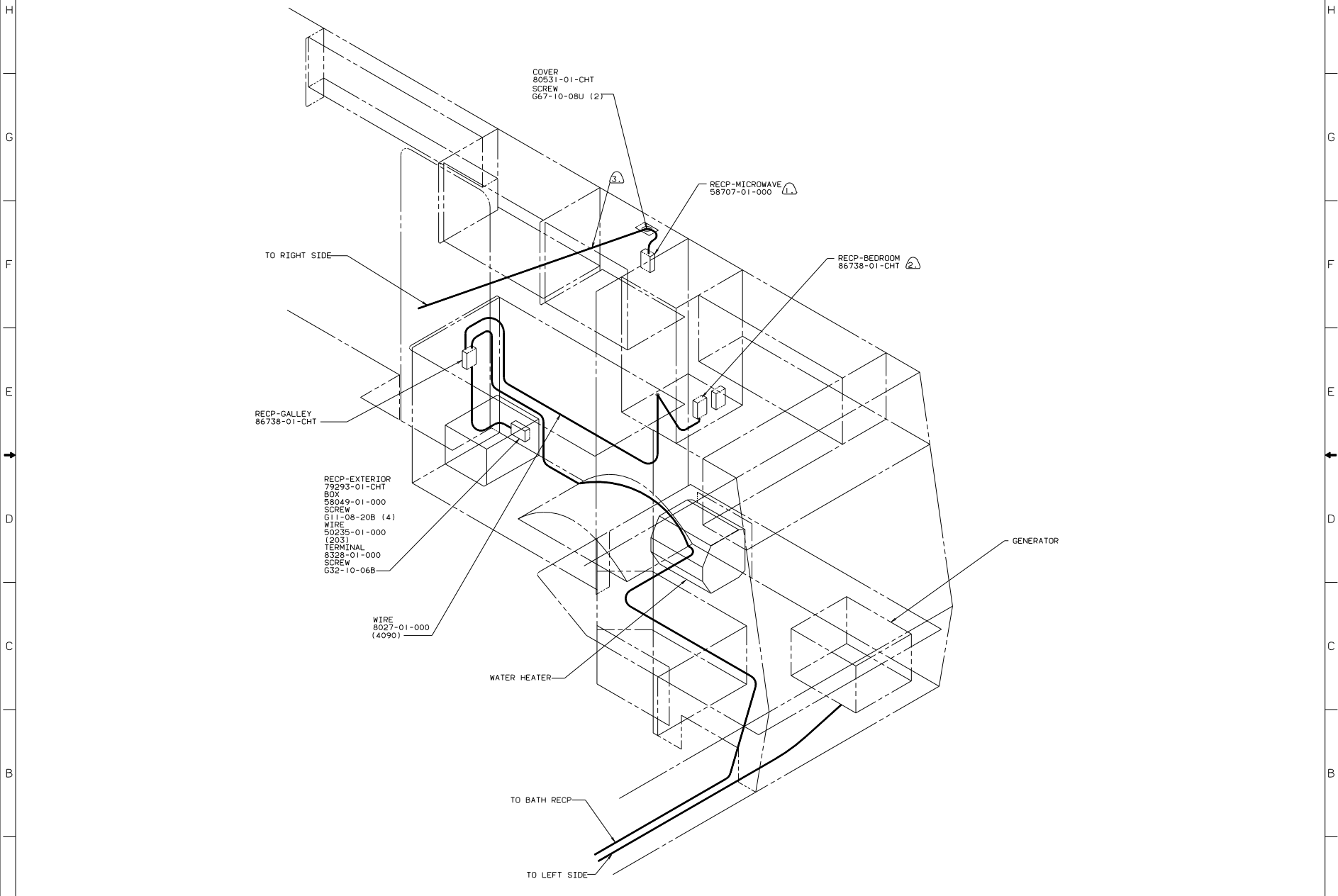
LANOT NO. TITLE: WIRING INSTL-BODY

DIA # SCALE: 0-1 30 MET SCALE DRAWING FILE DRG

ALL DIMENSIONS ARE IN MILLIMETERS SHEET 1 OF 10

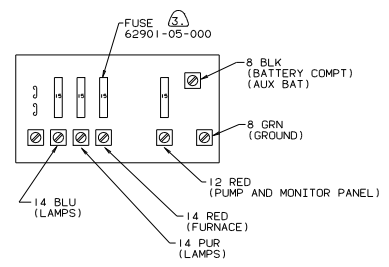
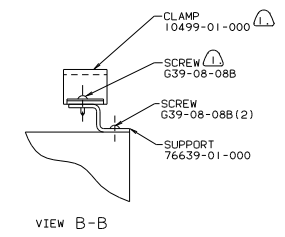
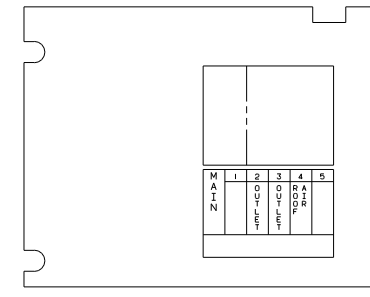
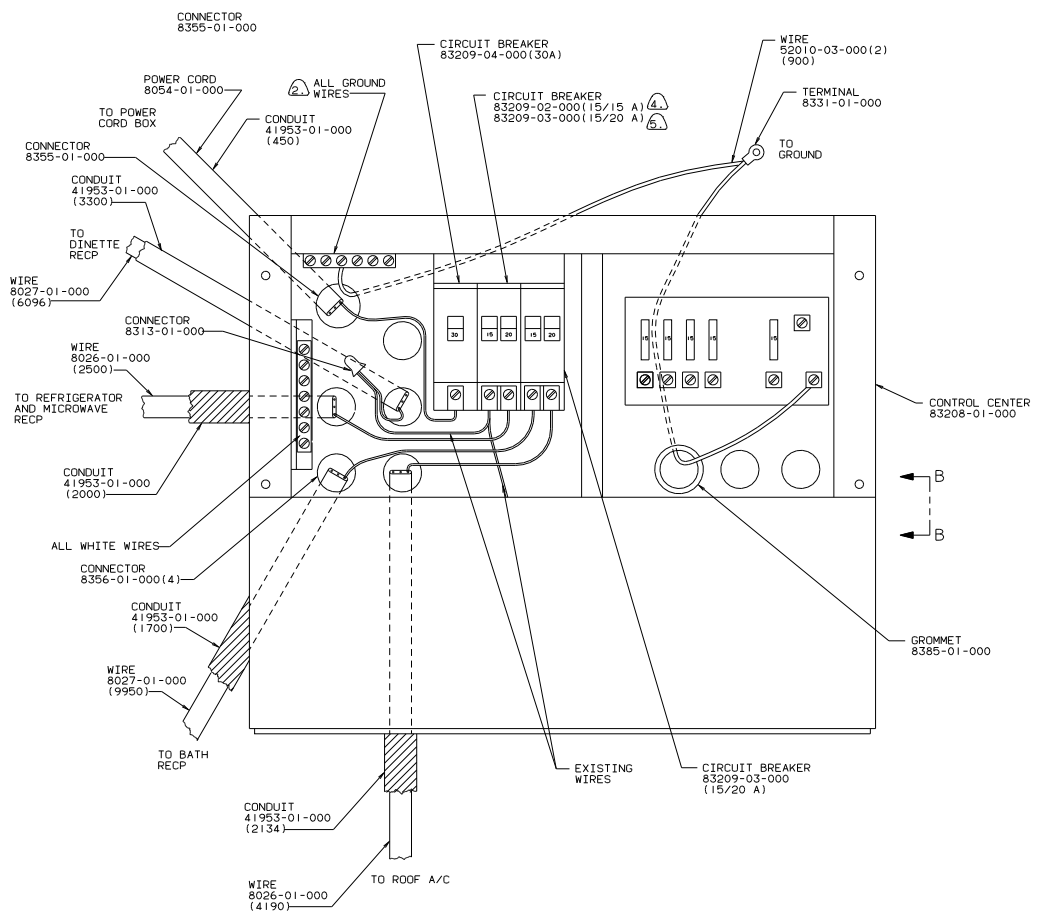
WINNERAGO 99180

REF: 96039



- ③ ROUTED IN ROOF.
- ② USE WITH T.V.
- ① USE WITH MICROWAVE EXCHANGE.

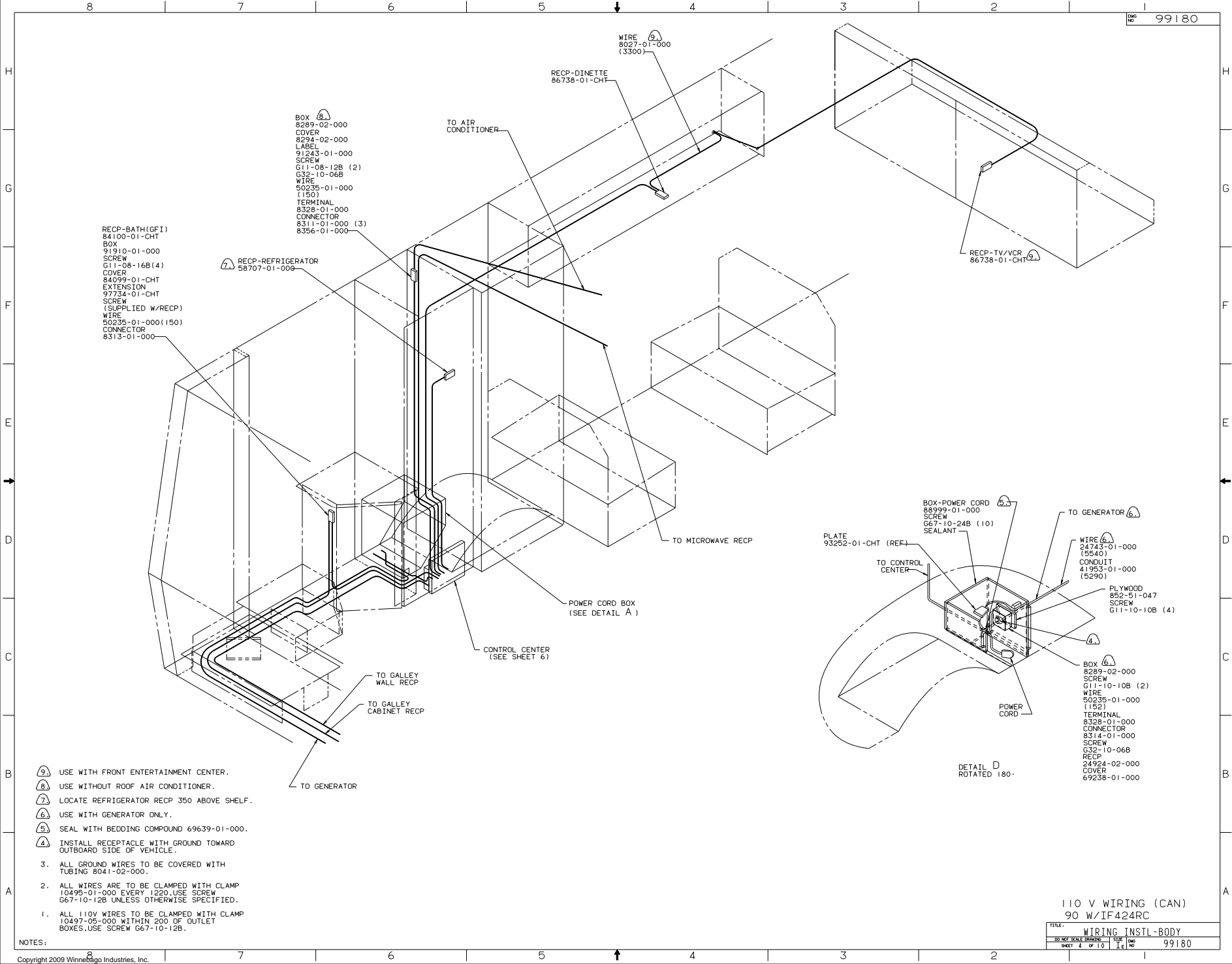
| | |
|--------------------------|----------------|
| TITLE: WIRING INSTL-BODY | |
| 30 NET SCALE DRAWING | FILE NO: 99180 |
| SHEET 2 of 10 | 1 of 1 |



- NOTES:
- ⑥ USE WIRE 8027-01-000 WITHOUT MICROWAVE.
 - ⑤ USE WITH MICROWAVE.
 - ④ USE WITHOUT MICROWAVE.
 - ③ SUPPLIED WITH CONTROL CENTER.
 - ② ALL GROUND WIRES TO BE COVERED WITH TUBING 8041-02-000.
 - ① FASTEN ALL WIRES TO SUPPORT. USE ONE SCREW PER CLAMP.

CONTROL CENTER (US)
90 W/IF424RC

| | |
|----------------------|-------------------|
| TITLE | WIRING INSTL-BODY |
| 30 NET SCALE DRAWING | REV 1.0 |
| SHEET 3 OF 10 | 99180 |



- BOX 8289-02-000
- COVER 8294-02-000
- LABEL 91243-01-000
- SCREW G11-08-12B (2)
- G32-10-06B
- WIRE 50235-01-000 (150)
- TERMINAL 8328-01-000
- CONNECTOR 8311-01-000 (3)
- 8356-01-000

- RECP-BATH(GFI) 84100-01-CHT
- BOX 91910-01-000
- SCREW G11-08-16B(4)
- COVER 84099-01-CHT
- EXTENSION 97734-01-CHT
- SCREW (SUPPLIED W/RECP)
- WIRE 50235-01-000(150)
- CONNECTOR 8313-01-000

RECP-REFRIGERATOR 58707-01-000

RECP-DINETTE 86738-01-CHT

RECP-TV/VCR 86738-01-CHT

POWER CORD BOX (SEE DETAIL A)

CONTROL CENTER (SEE SHEET 6)

TO GALLEY WALL RECP

TO GALLEY CABINET RECP

TO GENERATOR

TO MICROWAVE RECP

TO AIR CONDITIONER

PLATE 93255-01-CHT (REF)

TO CONTROL CENTER

TO GENERATOR

DETAIL D ROTATED 180.

- BOX-POWER CORD 88999-01-000
- SCREW G67-10-24B (10)
- SEALANT

- WIRE 24743-01-000 (5540)
- CONDUIT 41953-01-000 (5290)

- PLYWOOD 852-51-047
- SCREW G11-10-10B (4)

- BOX 8289-02-000
- SCREW G11-10-10B (2)
- WIRE 50235-01-000 (152)
- TERMINAL 8328-01-000
- CONNECTOR 8314-01-000
- SCREW G32-10-06B
- RECP 24924-02-000
- COVER 69238-01-000

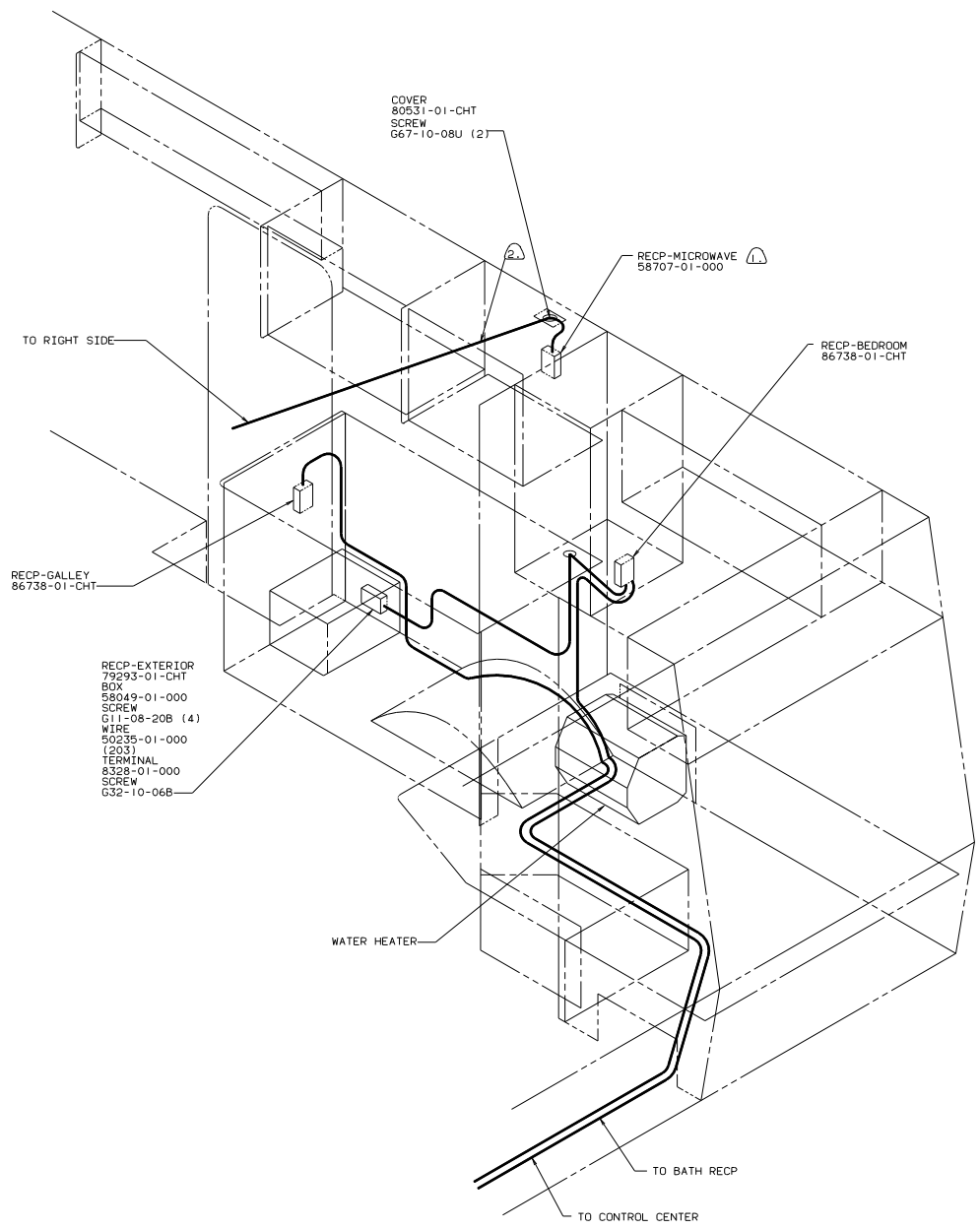
- 9. USE WITH FRONT ENTERTAINMENT CENTER.
- 8. USE WITHOUT ROOF AIR CONDITIONER.
- 7. LOCATE REFRIGERATOR RECP 350 ABOVE SHELF.
- 6. USE WITH GENERATOR ONLY.
- 5. SEAL WITH BEDDING COMPOUND 69639-01-000.
- 4. INSTALL RECEPTACLE WITH GROUND TOWARD OUTBOARD SIDE OF VEHICLE.



3. ALL GROUND WIRES TO BE COVERED WITH TUBING 8041-02-000.
2. ALL WIRES ARE TO BE CLAMPED WITH CLAMP 10495-01-000 EVERY 1220, USE SCREW G67-10-12B UNLESS OTHERWISE SPECIFIED.
1. ALL 110V WIRES TO BE CLAMPED WITH CLAMP 10497-05-000 WITHIN 200 OF OUTLET BOXES, USE SCREW G67-10-12B.

NOTES:

110 V WIRING (CAN)
90 W/IF424RC

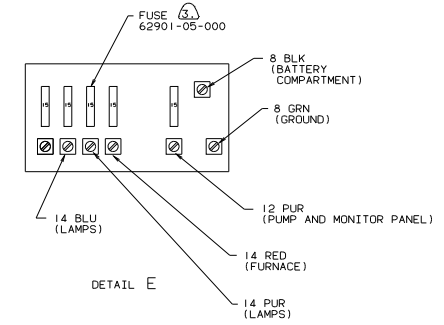
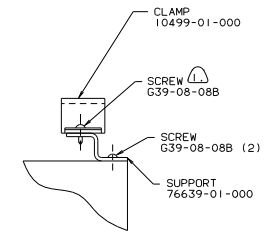
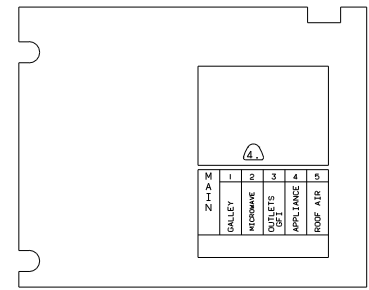
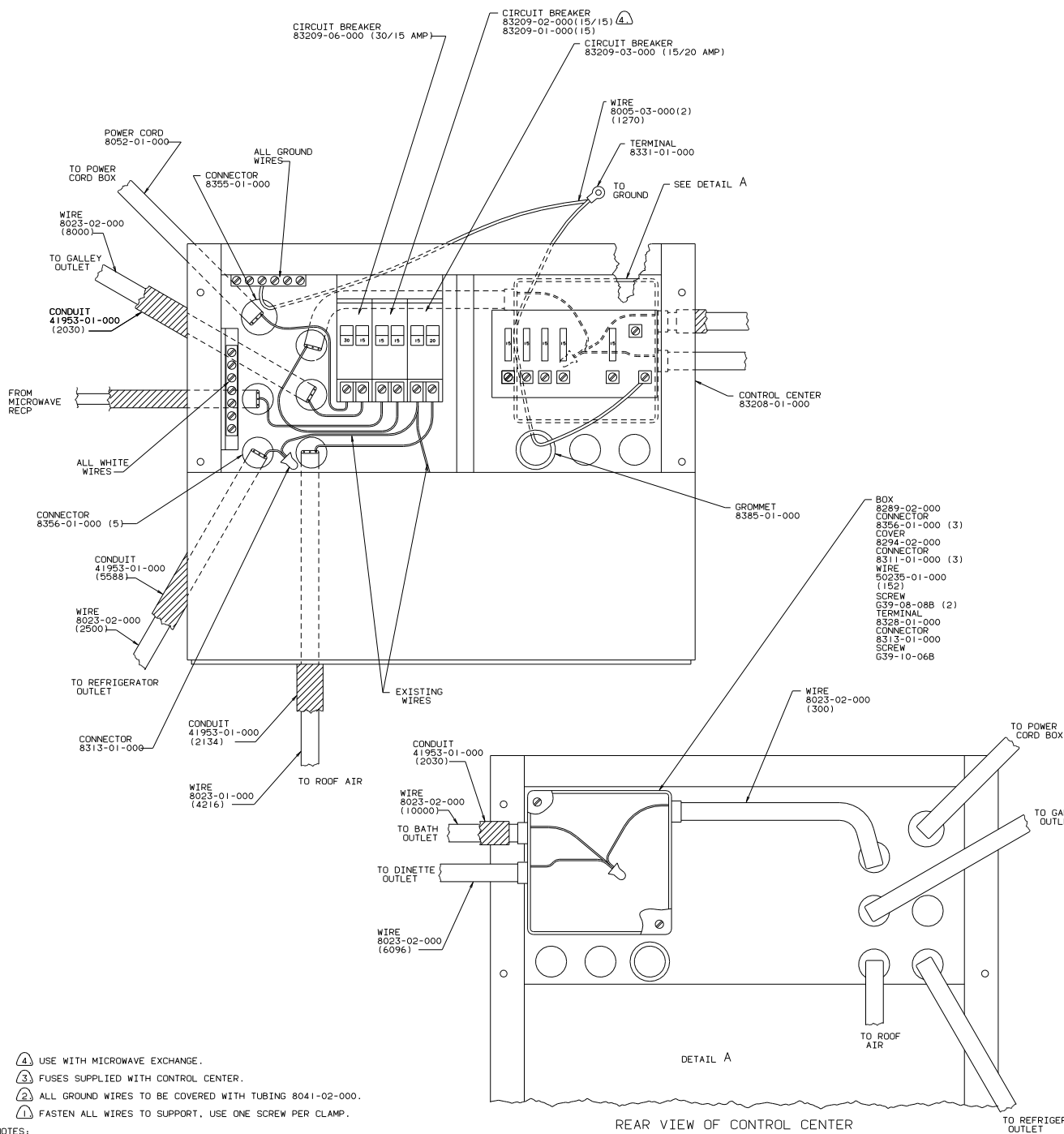
| | | | |
|----------------------|-------------------|-------|--|
| TITLE: | WIRING INSTL-BODY | | |
| 30 NET SCALE DRAWING | FILE NO | 99180 | |
| SHEET 4 OF 10 | 1 E | | |



 ROUTED IN ROOF.
 USE WITH MICROWAVE EXCHANGE.

110V WIRING (CAN)
90 W/IF424RC

| | | | |
|--------------------------|------|--------------|---|
| TITLE: WIRING INSTL-BODY | | DWG NO 99180 | |
| 30 NET SCALE DRAWING | FILE | 1 of 10 | 1 |
| SHEET 5 | | | |



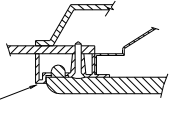
- ④ USE WITH MICROWAVE EXCHANGE.
- ③ FUSES SUPPLIED WITH CONTROL CENTER.
- ② ALL GROUND WIRES TO BE COVERED WITH TUBING 8041-02-000.
- ① FASTEN ALL WIRES TO SUPPORT, USE ONE SCREW PER CLAMP.

REAR VIEW OF CONTROL CENTER

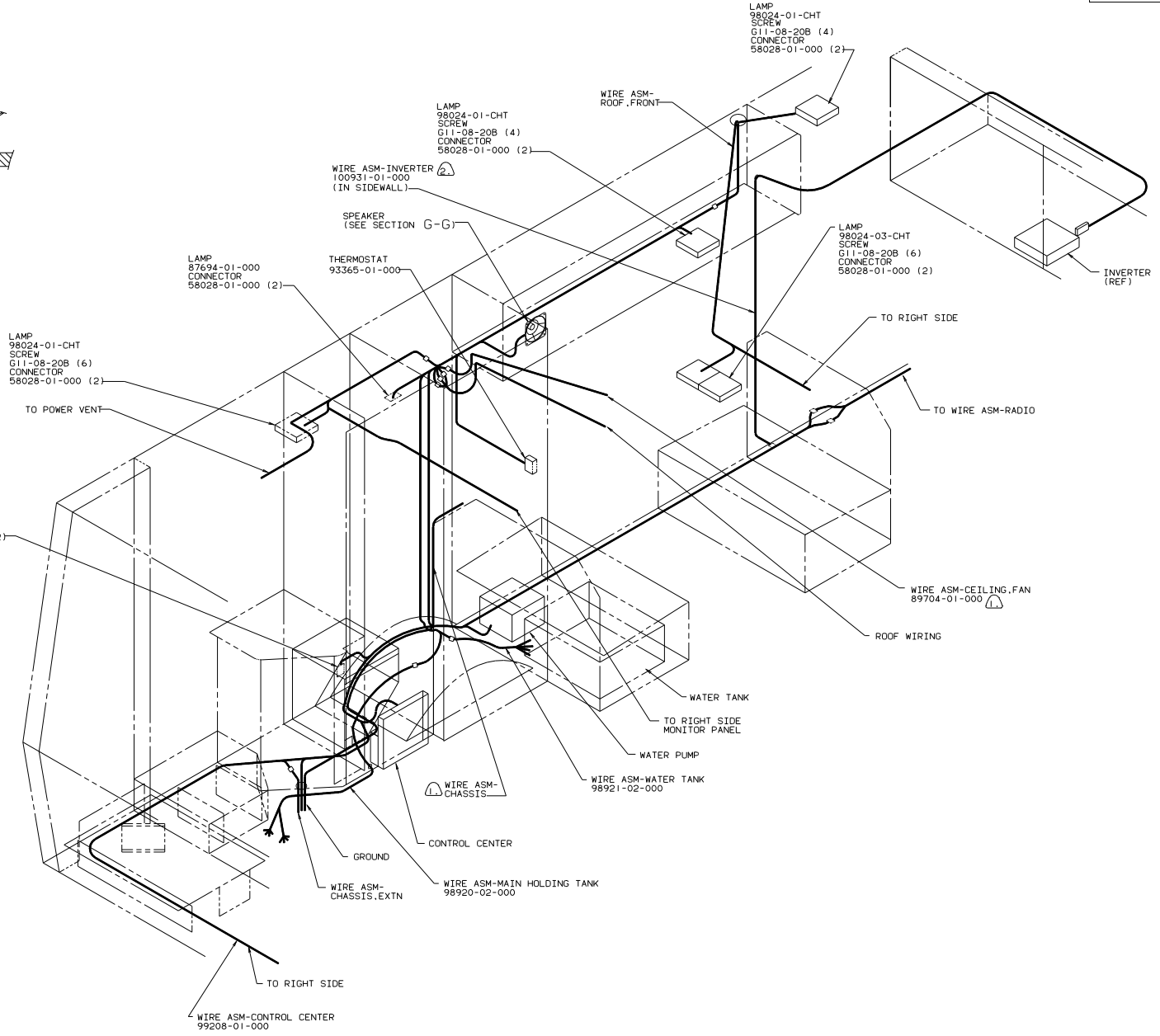
CONTROL CENTER-(CAN)
90 W/IF424RC

| | | |
|----------------------|-------------------|-------|
| TITLE: | WIRING INSTL-BODY | |
| 30 MIL SCALE DRAWING | REV | DATE |
| SHEET 6 OF 10 | 1E | 99180 |

SPEAKER
94097-01-000 (2)
SPEAKER-GRILLE
90026-01-CHT (2)
SCREW
G13-06-12B (4)



SECTION G-G



SWITCH PLATE
98351-01-CHT
SWITCH
89308-01-CHT
SCREW
G11-06-10J (2)

LAMP
98024-01-CHT
SCREW
G11-08-20B (6)
CONNECTOR
58028-01-000 (2)

LAMP
87694-01-000
CONNECTOR
58028-01-000 (2)

WIRE ASM-INVERTER
100931-01-000
(IN SIDEWALL)

SPEAKER
(SEE SECTION G-G)

THERMOSTAT
93365-01-000

LAMP
98024-01-CHT
SCREW
G11-08-20B (4)
CONNECTOR
58028-01-000 (2)

WIRE ASM-
ROOF, FRONT

LAMP
98024-01-CHT
SCREW
G11-08-20B (4)
CONNECTOR
58028-01-000 (2)

LAMP
98024-03-CHT
SCREW
G11-08-20B (6)
CONNECTOR
58028-01-000 (2)

INVERTER
(REF)

TO RIGHT SIDE

TO WIRE ASM-RADIO

WIRE ASM-CEILING FAN
89704-01-000

ROOF WIRING

WATER TANK

TO RIGHT SIDE
MONITOR PANEL

WATER PUMP

WIRE ASM-WATER TANK
98921-02-000

WIRE ASM-
CHASSIS

CONTROL CENTER

GROUND

WIRE ASM-
CHASSIS, EXTN

WIRE ASM-MAIN HOLDING TANK
98920-02-000

TO RIGHT SIDE

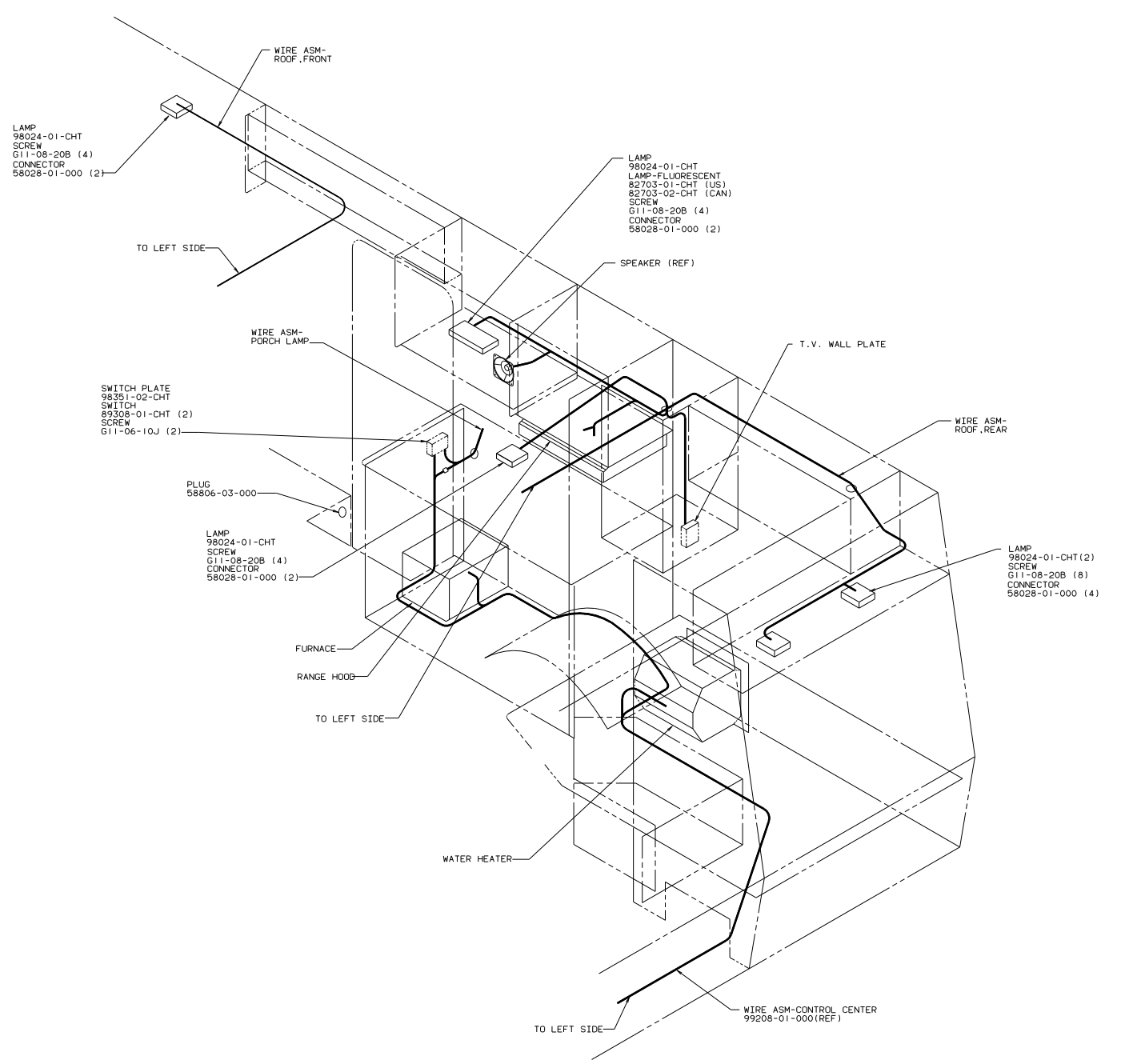
WIRE ASM-CONTROL CENTER
99208-01-000

- ② USED WITH FRONT ENTERTAINMENT CENTER.
- ① USE WITH CEILING FAN ONLY.

NOTES:

12V WIRING (US/CAN)
90 W/IF424RC

| | |
|--------------------------|---------|
| TITLE: WIRING INSTL-BODY | |
| 30 NET SCALE DRAWING | FILE NO |
| SHEET 7 OF 10 | 99180 |



LAMP
98024-01-CHT
SCREW
G11-08-20B (4)
CONNECTOR
58028-01-000 (2)

LAMP
98024-01-CHT
LAMP-FLUORESCENT
82703-01-CHT (US)
82703-02-CHT (CAN)
SCREW
G11-08-20B (4)
CONNECTOR
58028-01-000 (2)

SWITCH PLATE
98351-02-CHT
SWITCH
89208-01-CHT (2)
SCREW
G11-06-10J (2)

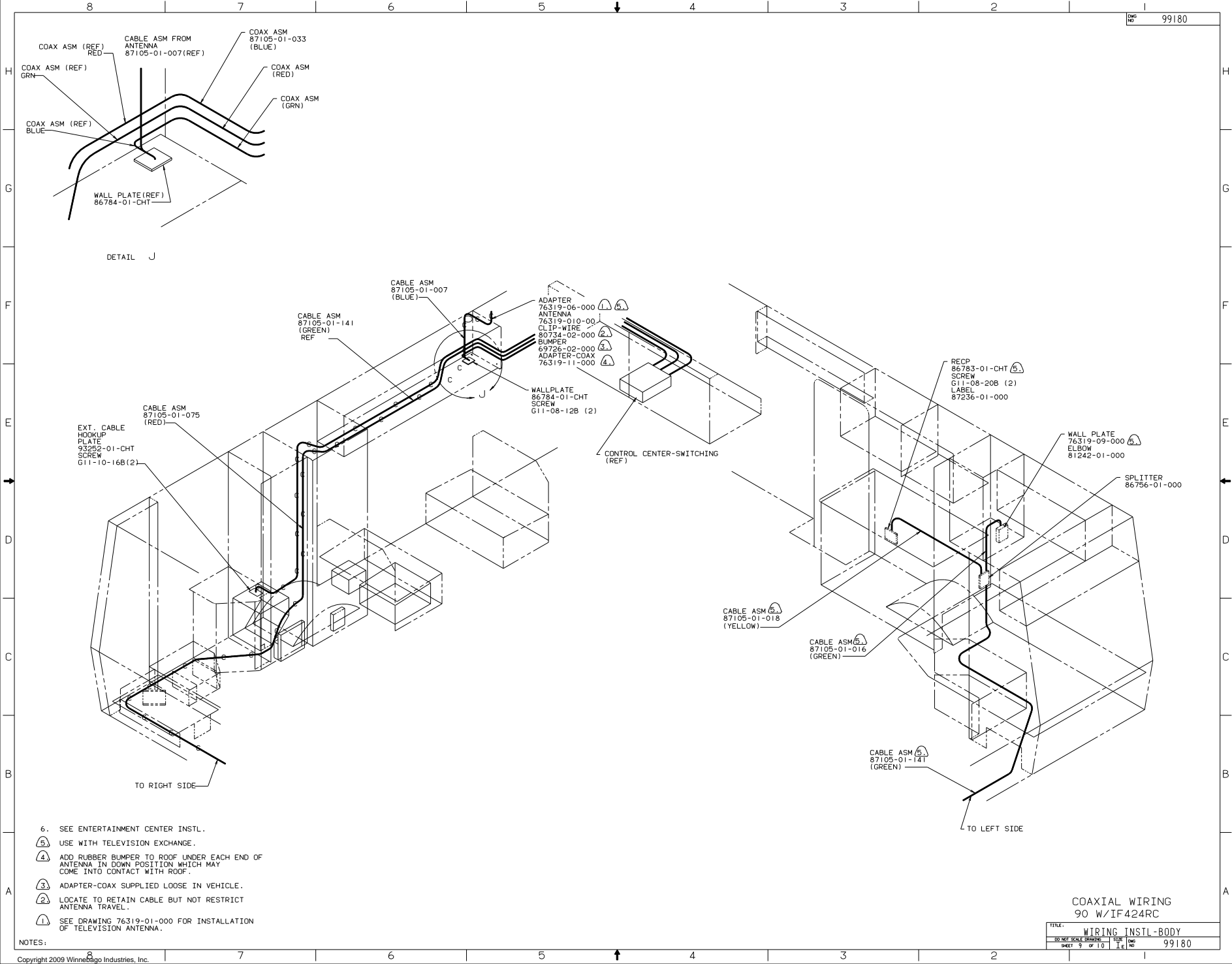
PLUG
58806-03-000

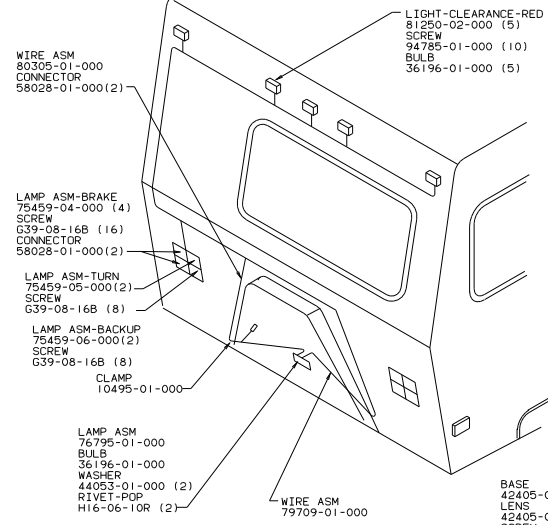
LAMP
98024-01-CHT
SCREW
G11-08-20B (4)
CONNECTOR
58028-01-000 (2)

LAMP
98024-01-CHT (2)
SCREW
G11-08-20B (8)
CONNECTOR
58028-01-000 (4)

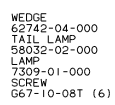
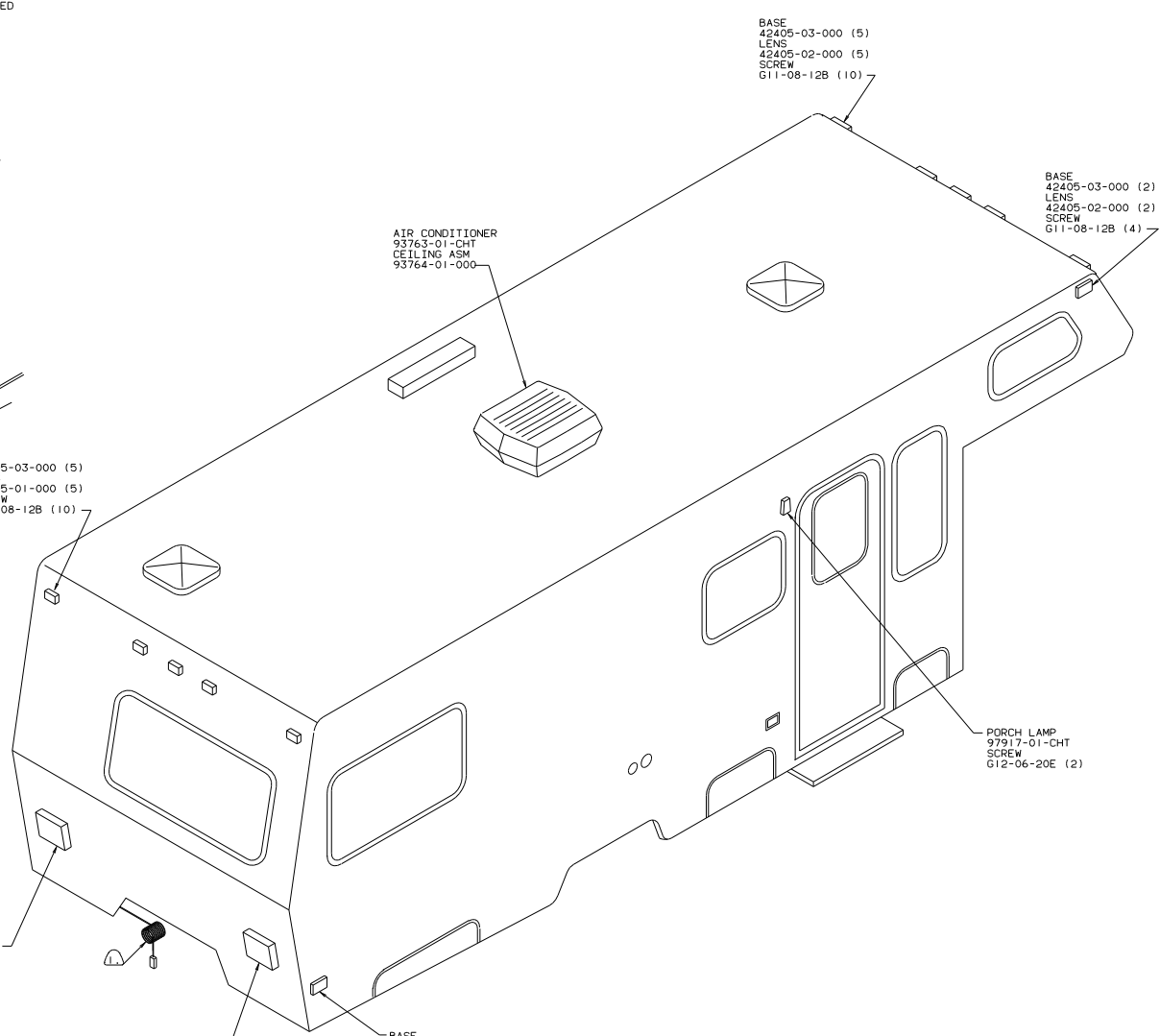
12V WIRING (US/CAN)
90 W/IF424RC

| | |
|--------------------------|----------------|
| TITLE: WIRING INSTL-BODY | |
| 30 NET SCALE DRAWING | FILE NO: 99180 |
| SHEET 8 OF 10 | 1 E |





W/ REAR FIBERGLASS



W/O REAR FIBERGLASS

COIL BRANCH (HOUSING TO TRAILER) AND SECURE WITH CLAMP 10495-01-000.SCREW G67-10-12B.

NOTES:

EXTERIOR LIGHTING
90 W/IF424RC

| | |
|--------------------------|---------|
| TITLE: WIRING INSTL-BODY | |
| 30 NET SCALE DRAWING | FILE NO |
| SHEET 10 OF 10 | 99180 |