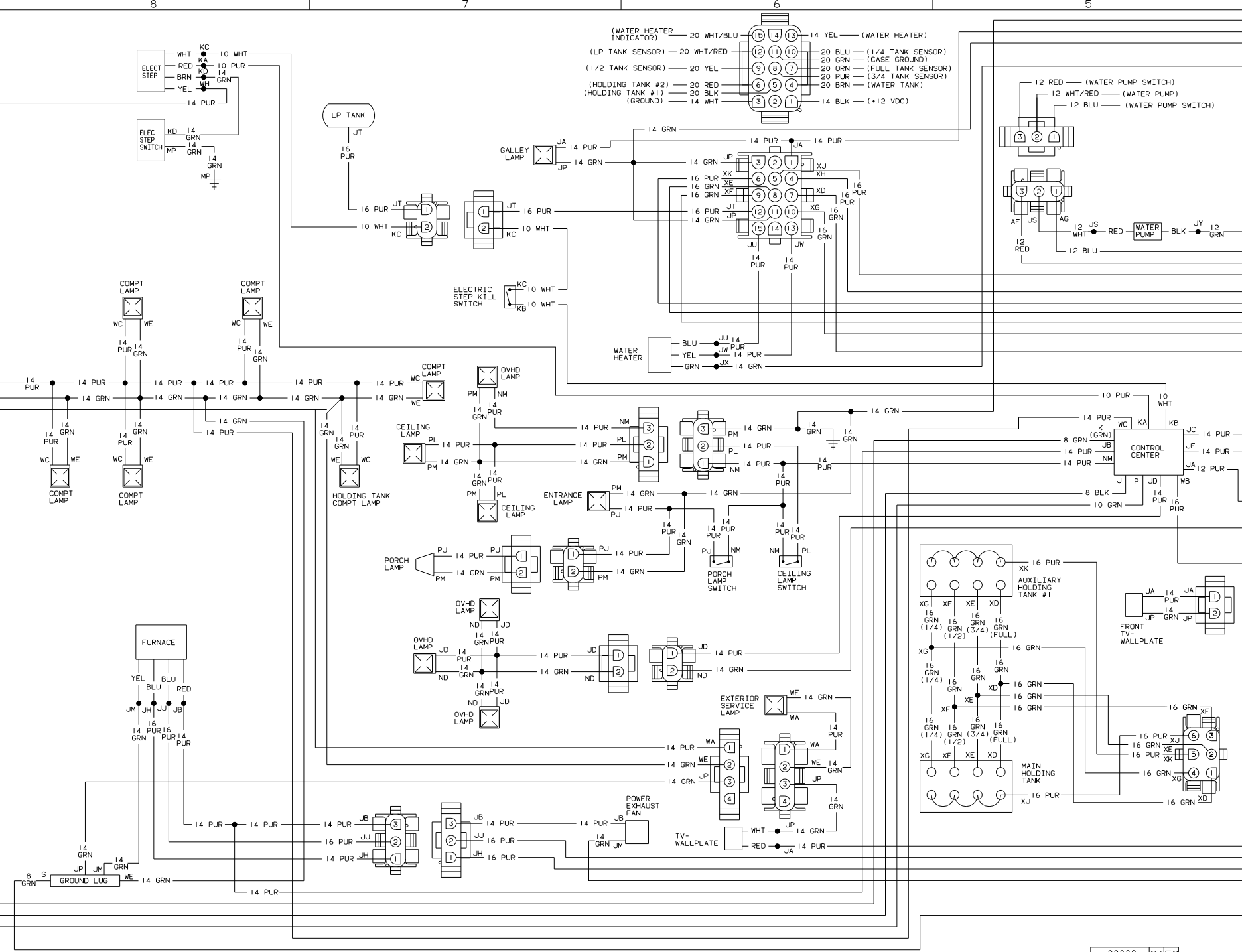
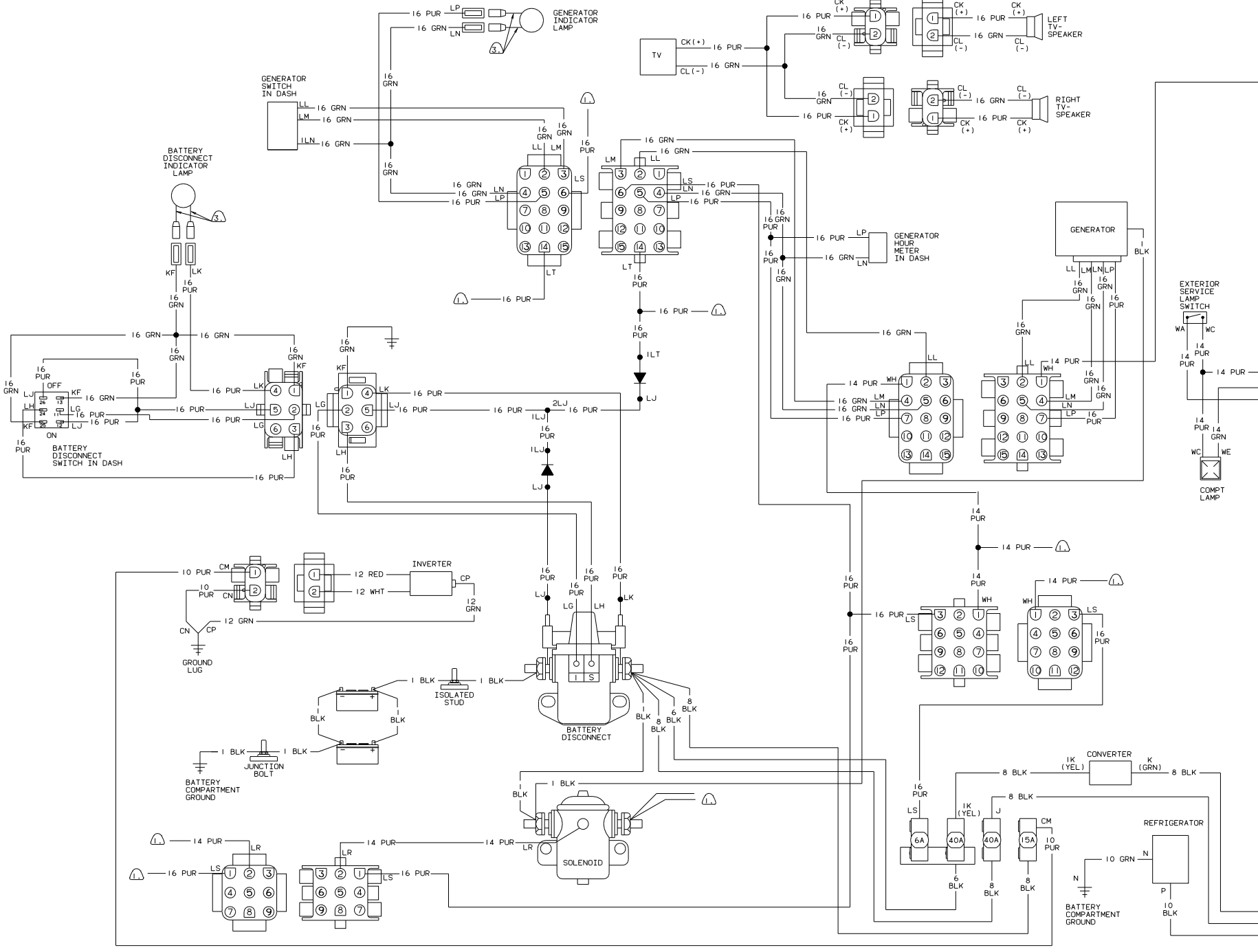
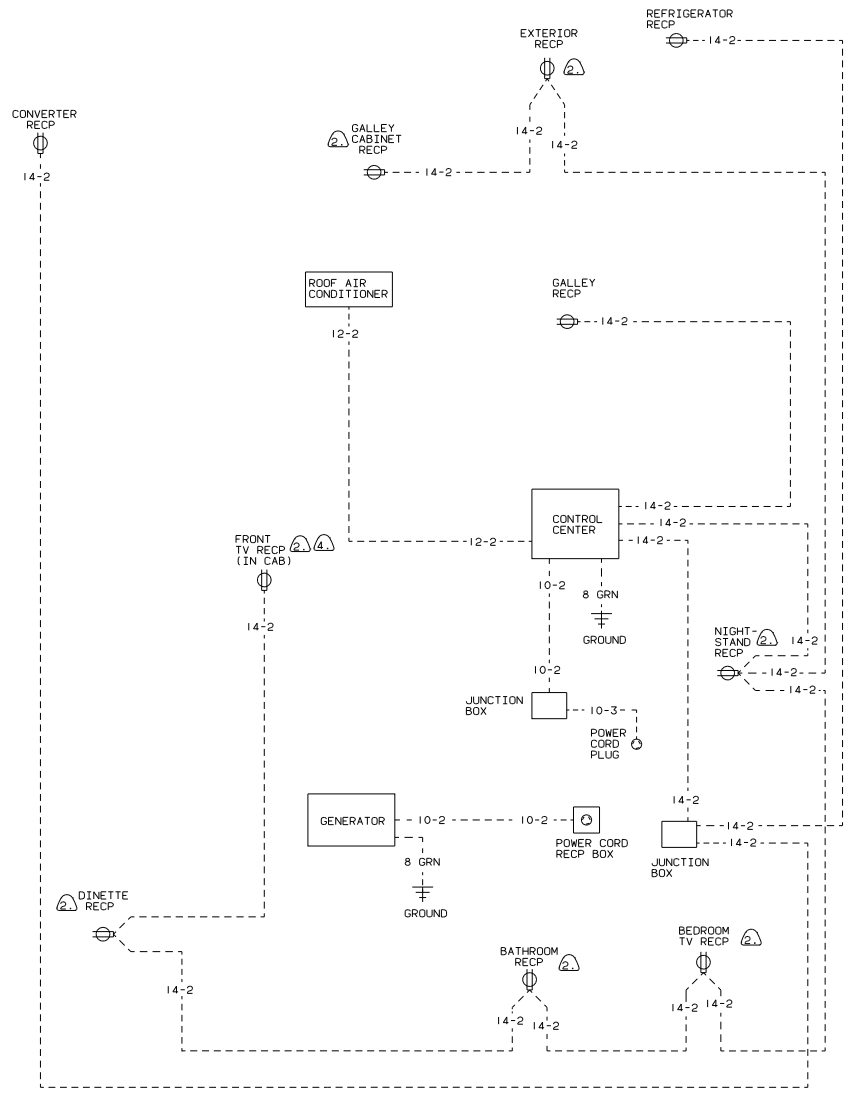


		90 W/ICN27RT
DFTD DMSD P/E W/C DSDD	UNDESIGNED TOLERANCES ARE: DIMENSIONS IN () ONE-PLACE IN () TWO-PLACE IN () THIRD-PLACE IN () THIRDS-PLACE IN () PROJECTION	MATERIAL:
TITLE: WIRING DIAGRAM-BODY		
Dwg # 99082 Scale: NONE Date: 1/1/02	Do Not Scale Drawing Size: 11x17 Sheet: 1 of 1	99082



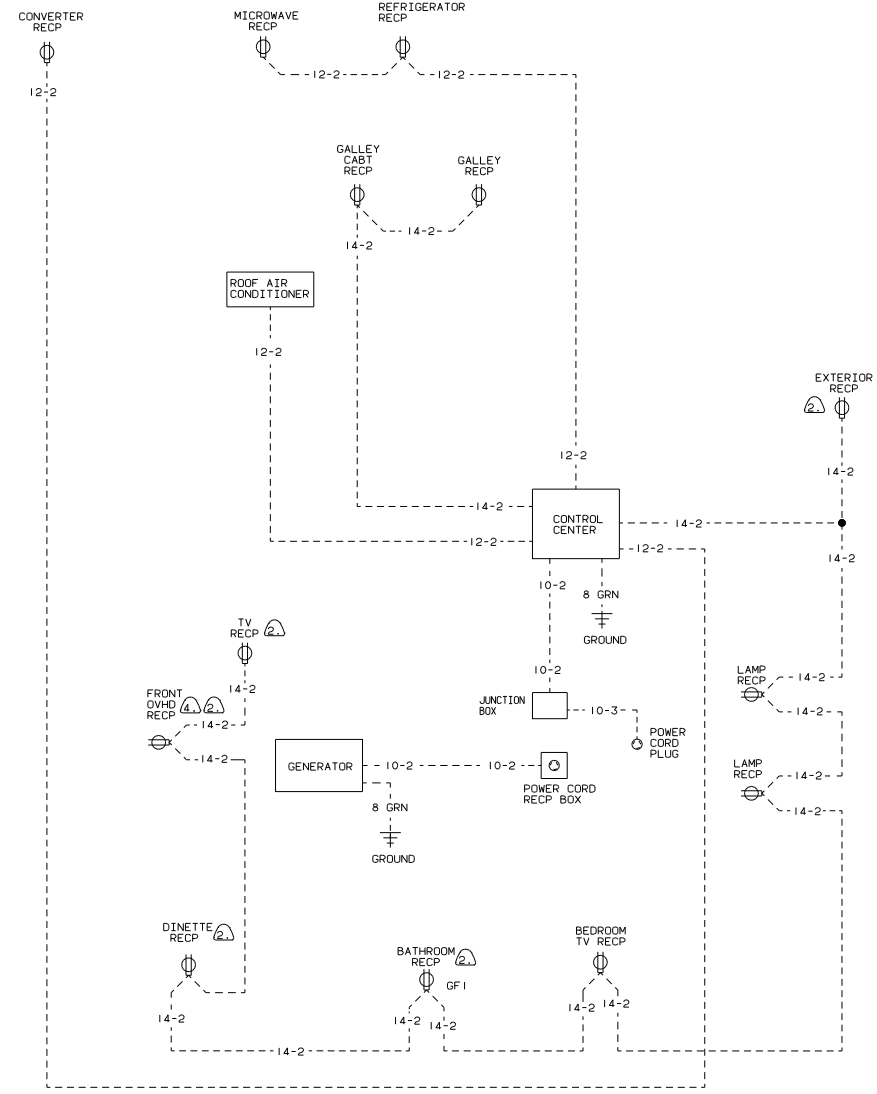


H
G
F
E
D
C
B
A



CAN 110 VOLT WIRING

- ④ ROUTED IN ROOF.
- ③ SUPPLIED WITH LIGHT ASSEMBLY.
- ② PROTECTED BY GROUND FAULT INTERRUPTER BREAKER.
- ① SEE DRAWING 94190-01-000 WIRING DIAGRAM-AUTOMOTIVE FOR ADDITIONAL WIRING.



US 110 VOLT WIRING