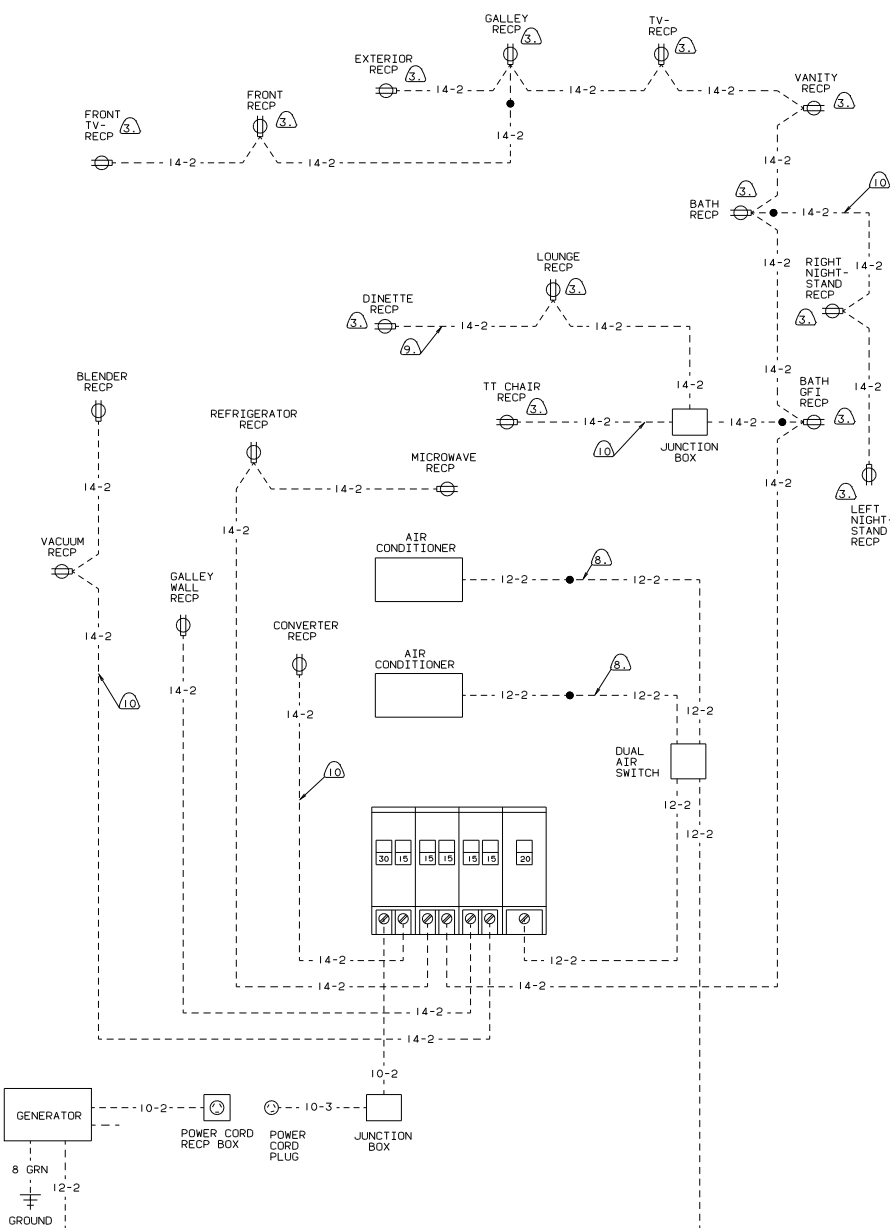
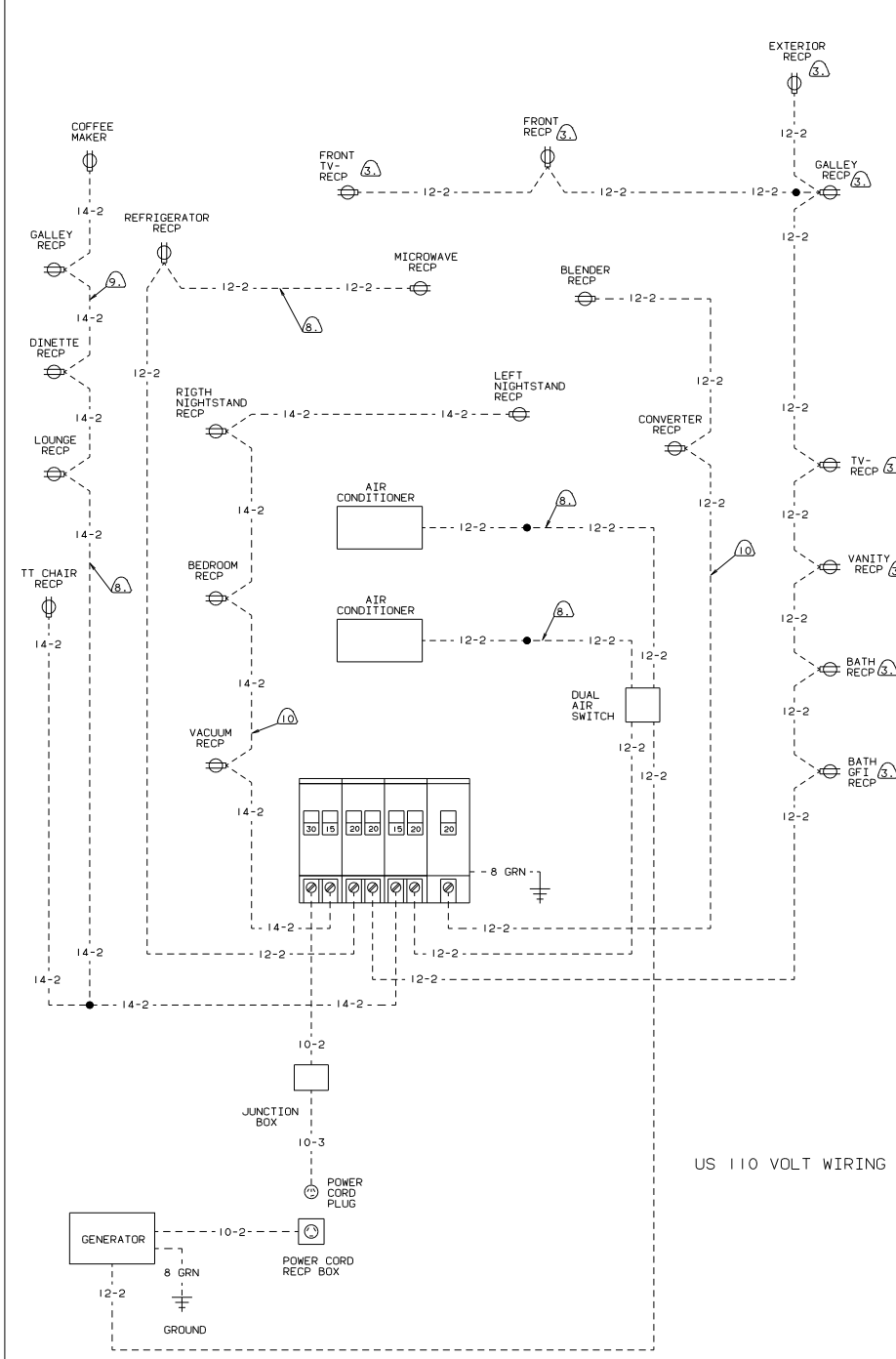


H
G
F
E
D
C
B
A



- NOTES:
- ③ USED WITH 6.5 KW GENERATOR.
 - ④ USED WITH TWIN BED.
 - ⑤ NOT USED WITH SINGLE AIR CONDITIONER.
 - ⑥ PROTECTED BY GROUND FAULT INTERRUPTER BREAKER.
 - ⑦ SEE DRAWING 94857-01-000 WIRING DIAGRAM-AUTOMOTIVE FOR ADDITIONAL WIRING.
 - ⑧ SEE DRAWING 93747-01-000 WIRING DIAGRAM-MONITOR PANEL FOR ADDITIONAL WIRING.
 - ⑨ SEE DRAWING 95144-01-000 WIRING DIAGRAM-TAG AXLE FOR ADDITIONAL WIRING.
 - ⑩ WIRE ROUTED IN FLOOR.
 - ⑪ ROUTED IN SIDEWALL.
 - ⑫ ROUTED IN ROOF.
 - ⑬ SUPPLIED WITH ANTENNA.
- (110V WIRING CAN)



US 110 VOLT WIRING

