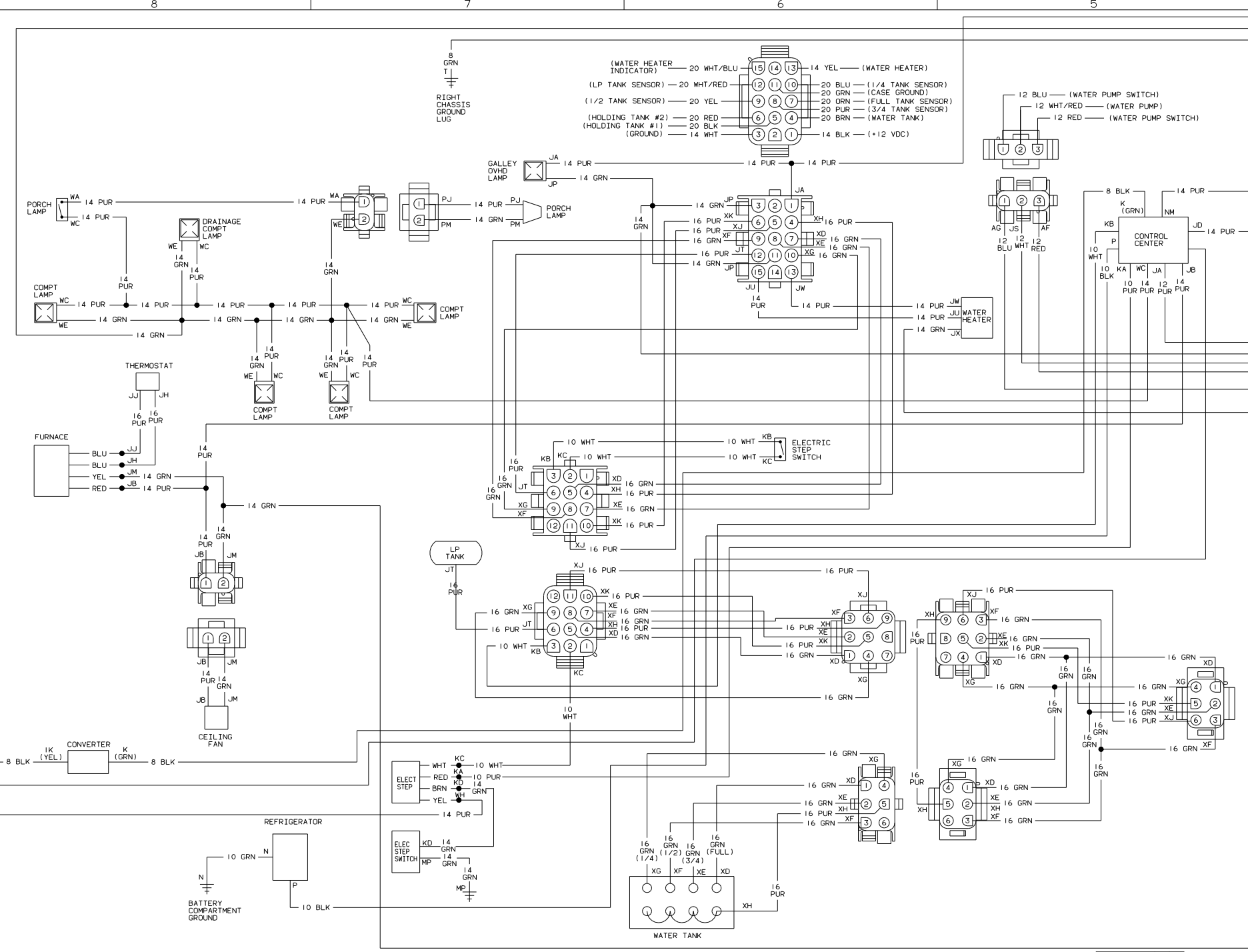
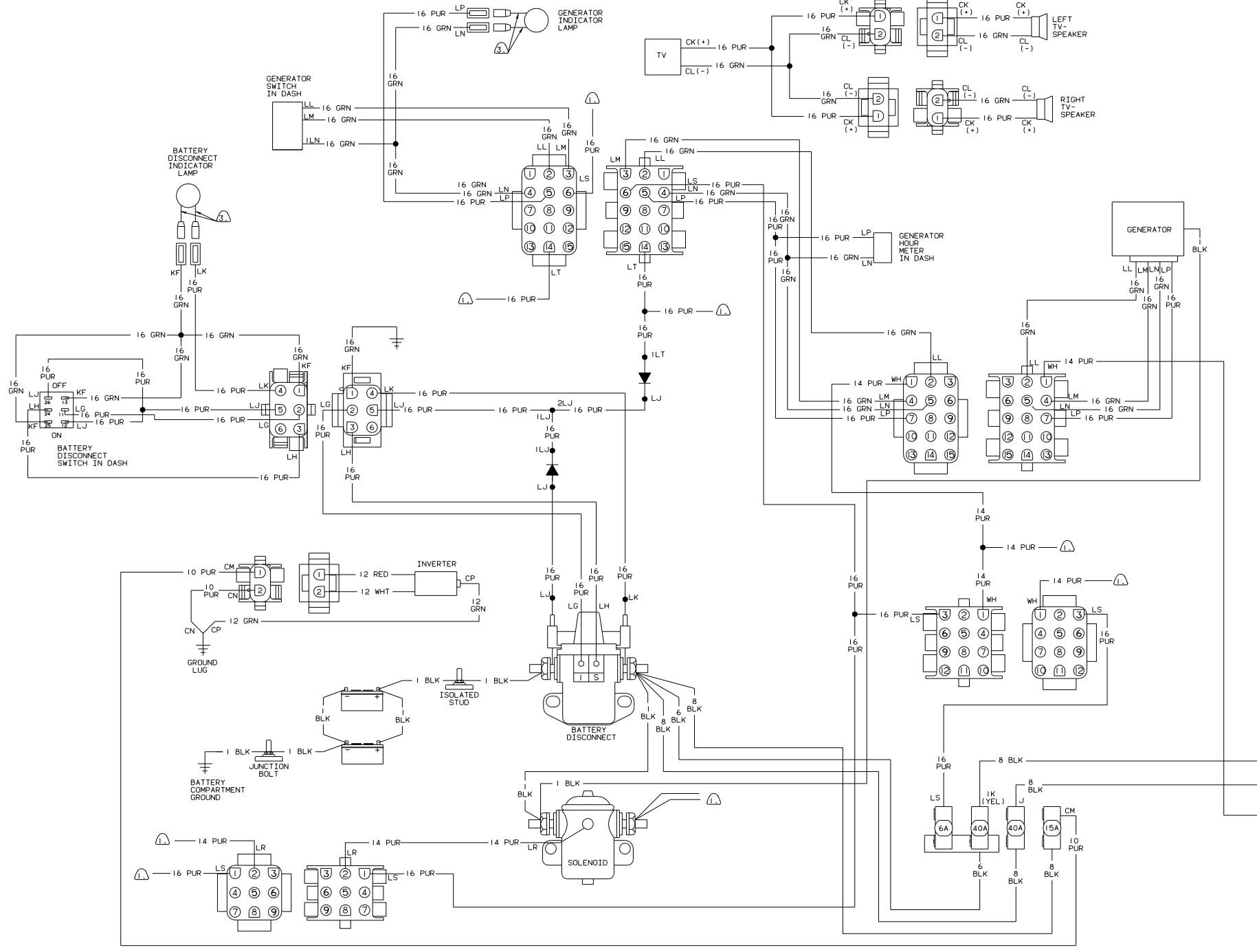


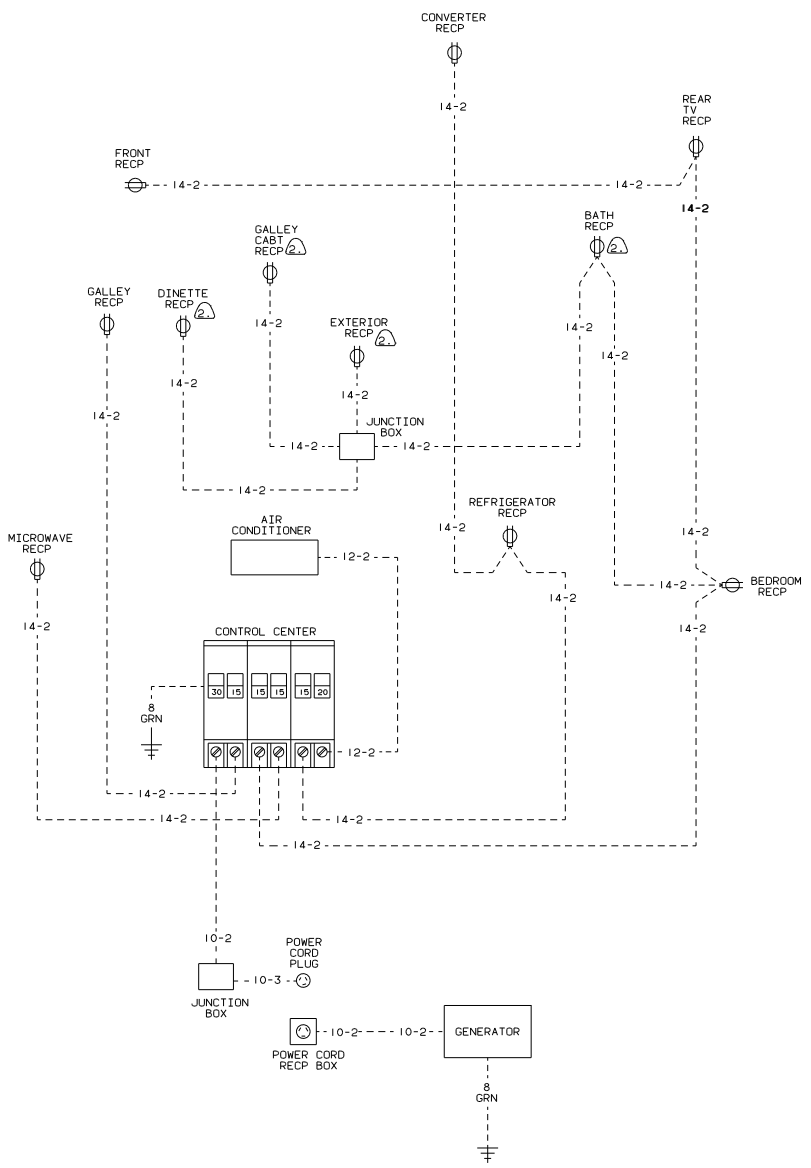
WINNEBAGO		90 W/1CN25RC
DTN	UNSPECIFIED TOLERANCES ARE:	MATERIAL:
CHSD	ANGLE DIM (10°)	ANGLE
P/E	ONE-PLACE (14.21)	ANGLE
W/E	ANGLE	ANGLE
SDSD	THIRD ANGLE PROJECTION	ANGLE
LAYOUT	TITLE:	ANGLE
SCALE: NONE	DO NOT SCALE DRAWING	SCALE: NONE
ALL DIMENSIONS ARE IN MILLIMETERS		
SHEET 1 OF 1		

WINNEBAGO WIRING DIAGRAM-BODY



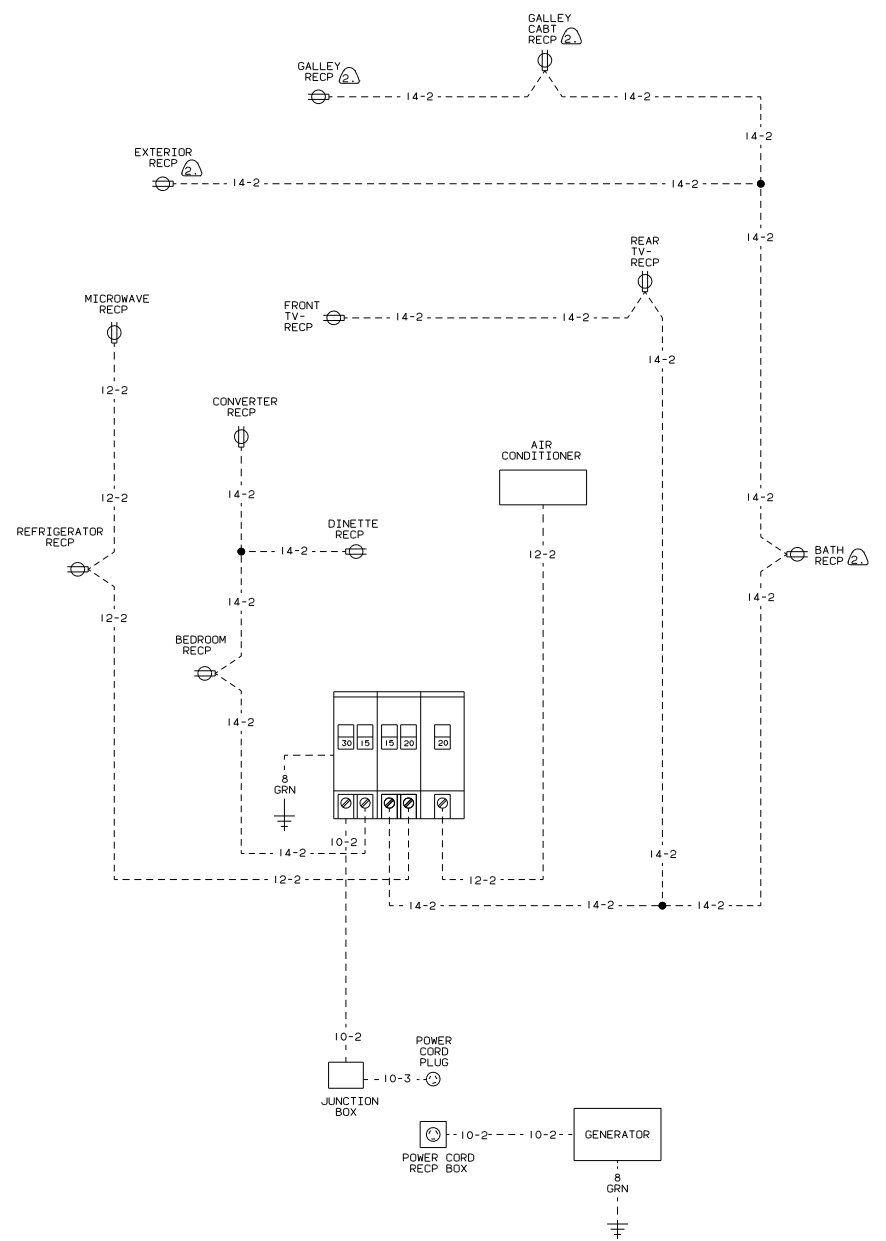


H
G
F
E
D
C
B
A



(CAN 110V WIRING)

- ③ SUPPLIED WITH WIRE ASSEMBLY.
- ② PROTECTED BY GROUND FAULT INTERRUPTER BREAKER.
- ① SEE DRAWING 94190-01-000 WIRING DIAGRAM-AUTOMOTIVE FOR ADDITIONAL WIRING.



(US 110V WIRING)