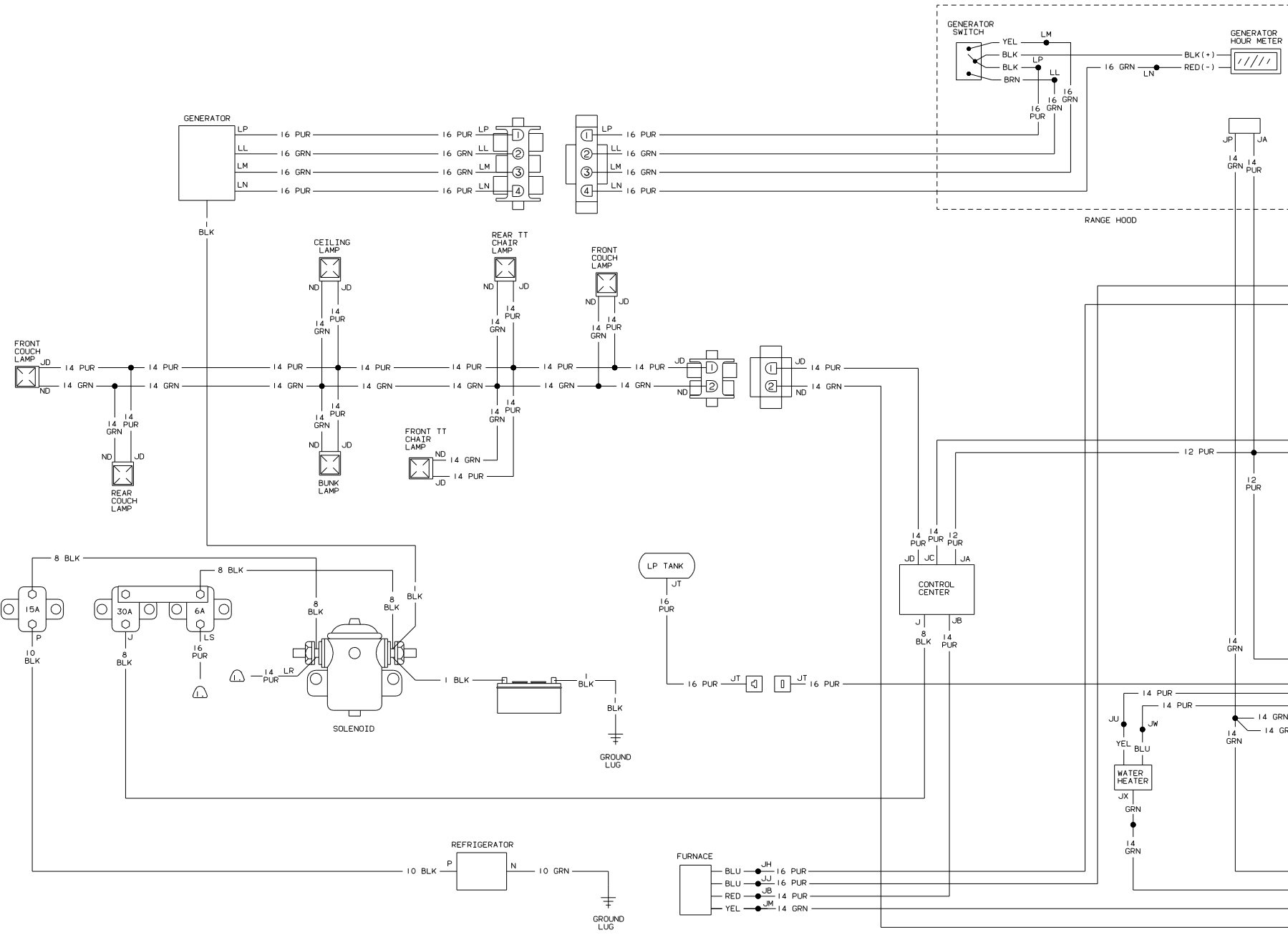
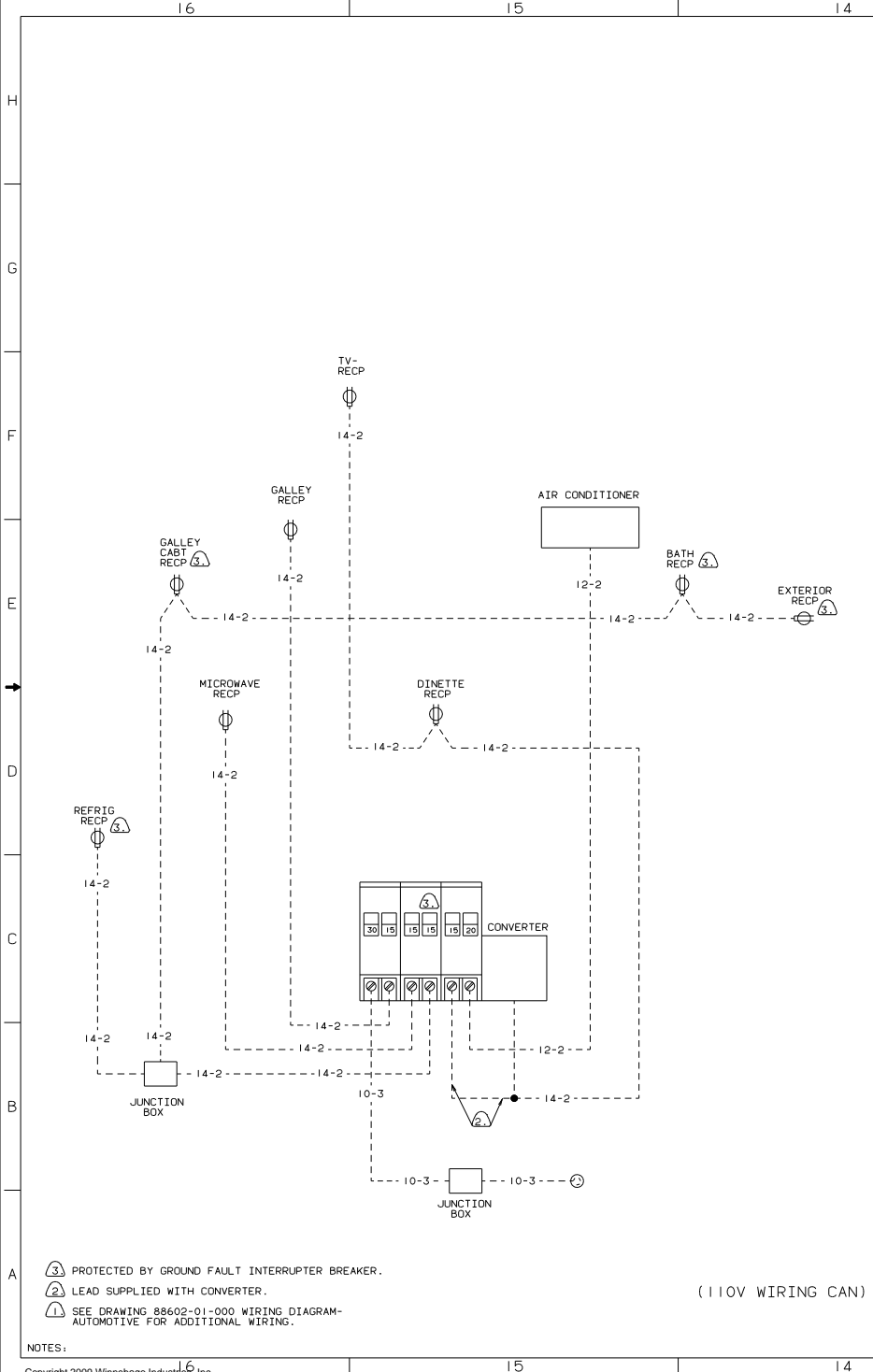


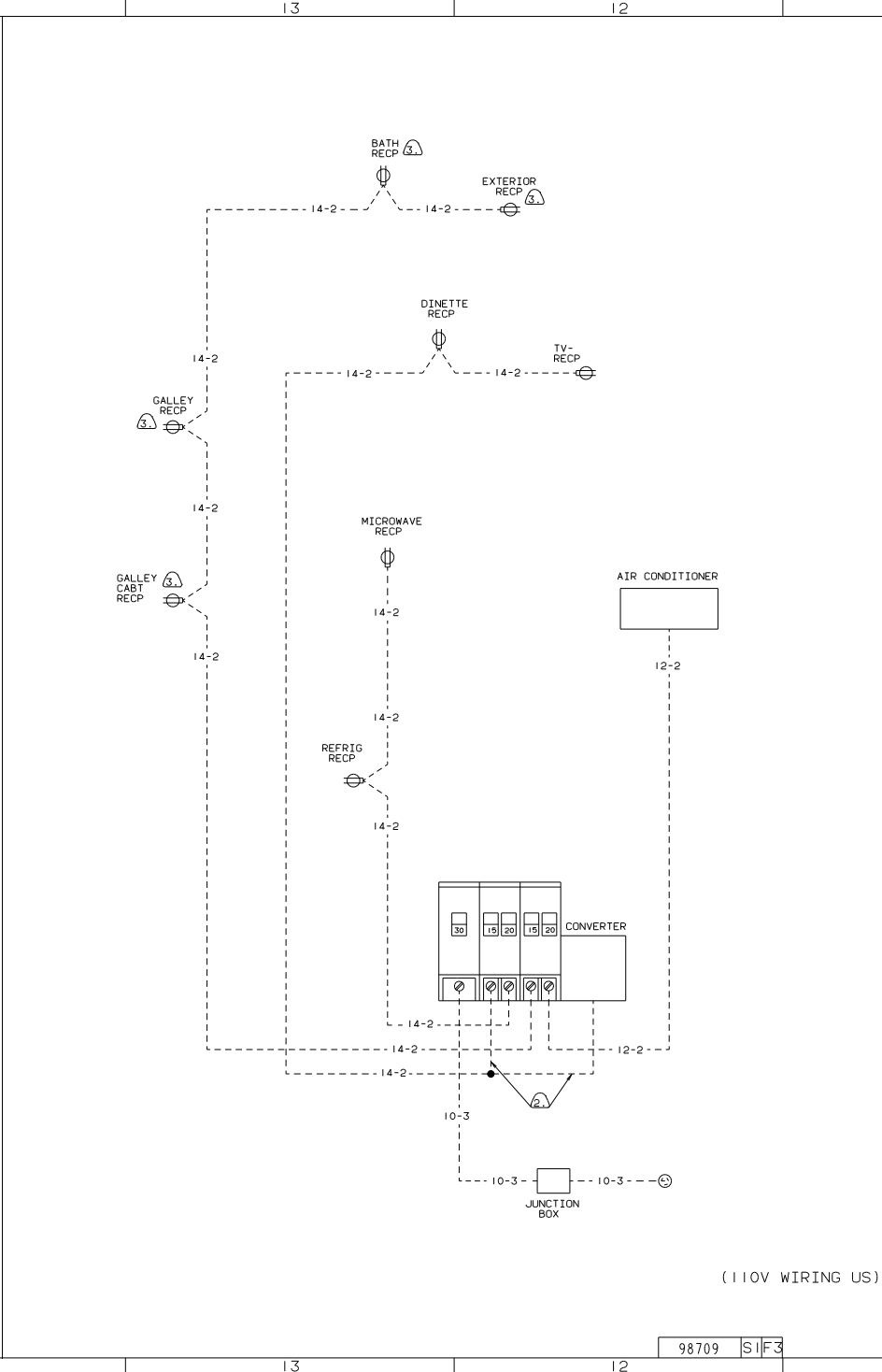
WINNEBAGO		90 W/1F327RB
QTY	UNSPECIFIED TOLERANCES ARE:	MATERIAL
CHP	HALF DIM (1/2)	
F/E	ONE-PLACE (1/2)	
F/E	TWO-PLACE (1/2)	
CON	THRU HOLES	
TITLE: WIRING DIAGRAM-BODY		
DATE	SCALE: NONE	30 MET SCALE DRAWING
REV	SHEET	1 OF 1
DRAWN BY: SIF		98709





- Ⓝ PROTECTED BY GROUND FAULT INTERRUPTER BREAKER.
- Ⓜ LEAD SUPPLIED WITH CONVERTER.
- Ⓛ SEE DRAWING 88602-01-000 WIRING DIAGRAM-AUTOMOTIVE FOR ADDITIONAL WIRING.

(110V WIRING CAN)



(110V WIRING US)