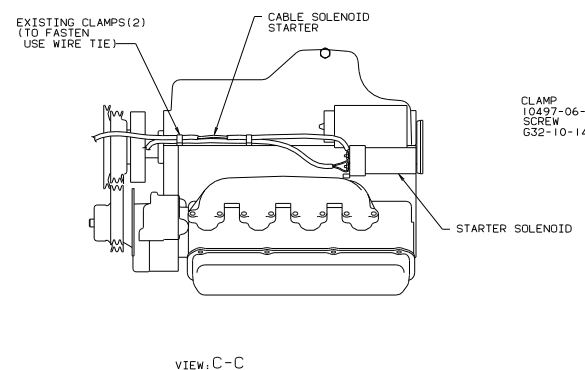
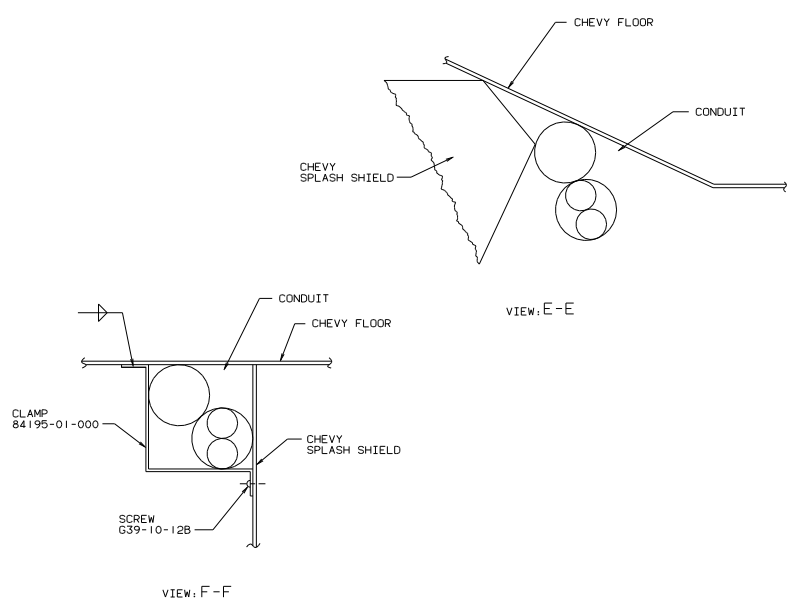
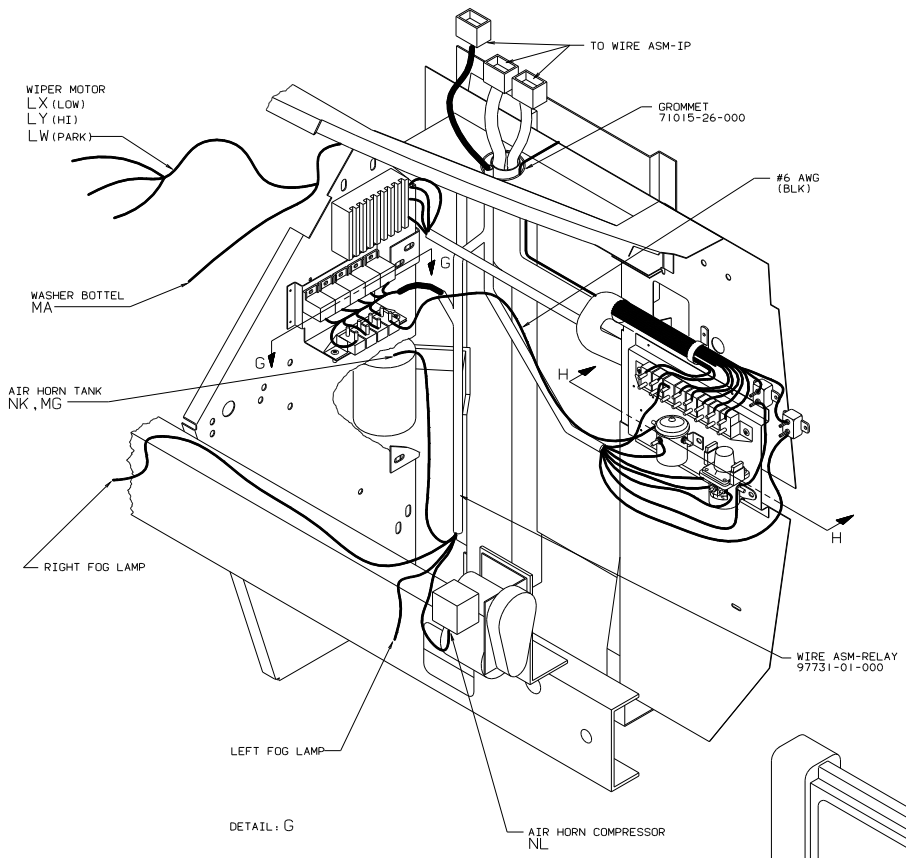


- ① ON FORD CHASSIS, DISCONNECT EXISTING CHASSIS WIRE ASM (NEAR TRANSMISSION) AND INSERT EXTENSION 98978-01-000.
 - ⑩ USE WIRE ASM-TAIL LIGHT EXTEND 85908-01-000.
 - ⑨ USE WIRE ASM-FUEL SENDER EXTEND 86559-001-00.
 - ⑧ CLAMP 83610-01-000(12), SCREW G39-08-08B(12).
 - ⑦ CLAMP 10497-02-000(6), SCREW G39-08-08B(6).
 - ⑥ CLAMP 10497-06-000(4), SCREW G39-08-08B(4).
 - ⑤ CLAMP 83609-01-000(2), SCREW G39-08-08B(2).
 - ④ INCLUDE GM BRAKE LAMP WIRE HARNESS WITH WIRE ASM-CHASSIS FROM HERE TO FRONT.
 - ③ COVER WITH CONDUIT-41953-10-000 & 41953-11-000 AS REQUIRED.
2. SECURE CONDUIT 41953-01-000, 41953-02-000 & 41953-03-000 OVER ALL WIRES IN CONTACT WITH SHARP EDGES...
1. LEGEND: — WINNEBAGO WIRING, - - - CABLE.

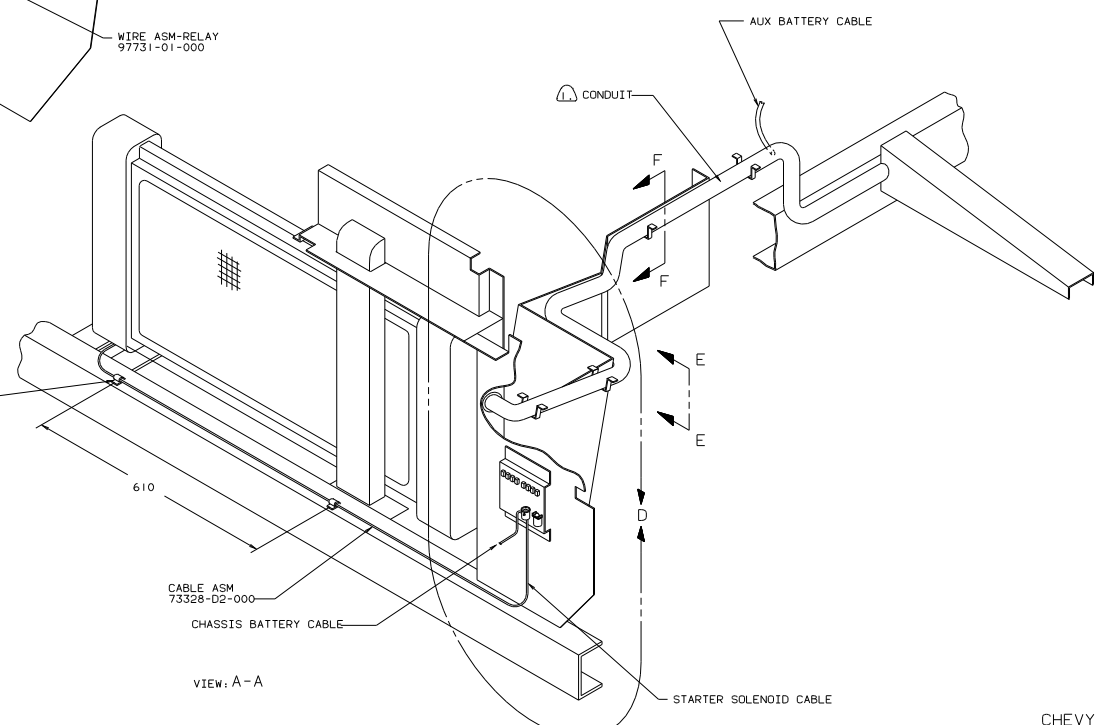
WINNEBAGO 90 W/1CP37RD

QTY	UNSPECIFIED TOLERANCES ARE:	MATERIAL
CHP	HALF DIM (X) ± .1	
PL	ONE-PLATE (X.X) ± .1	
PL	HOLE-PLATE (X.XXX)	
PL	ANGLE	
CON	THRU HOLE PROJECTION	

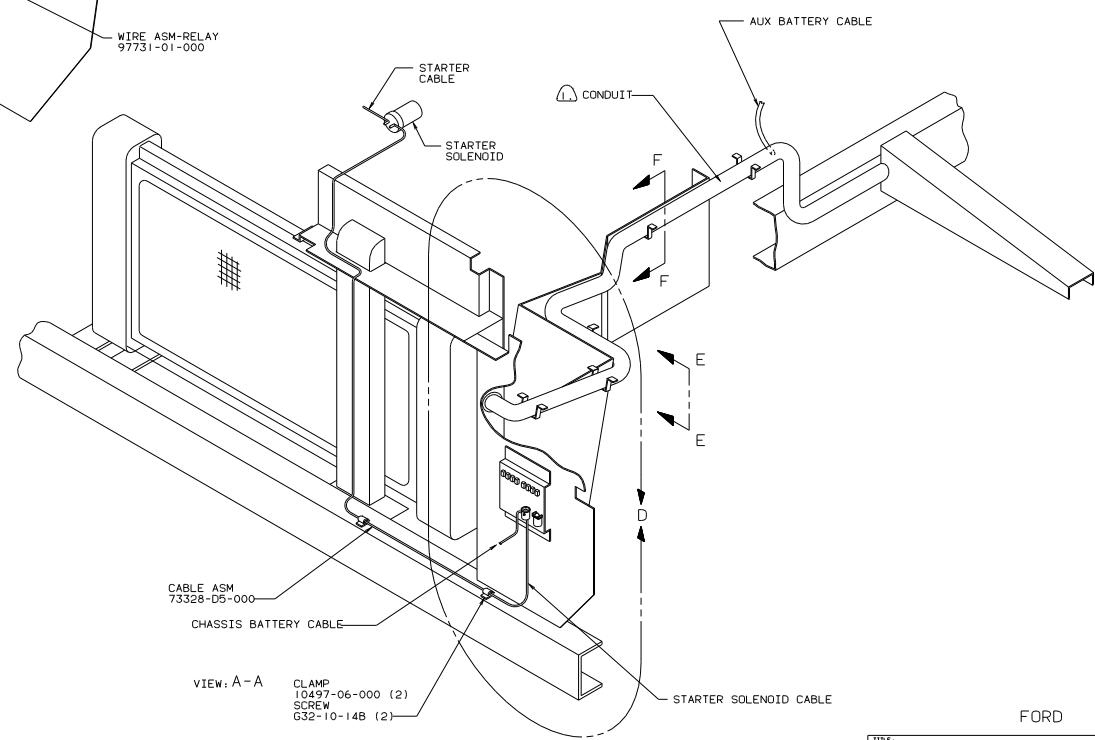
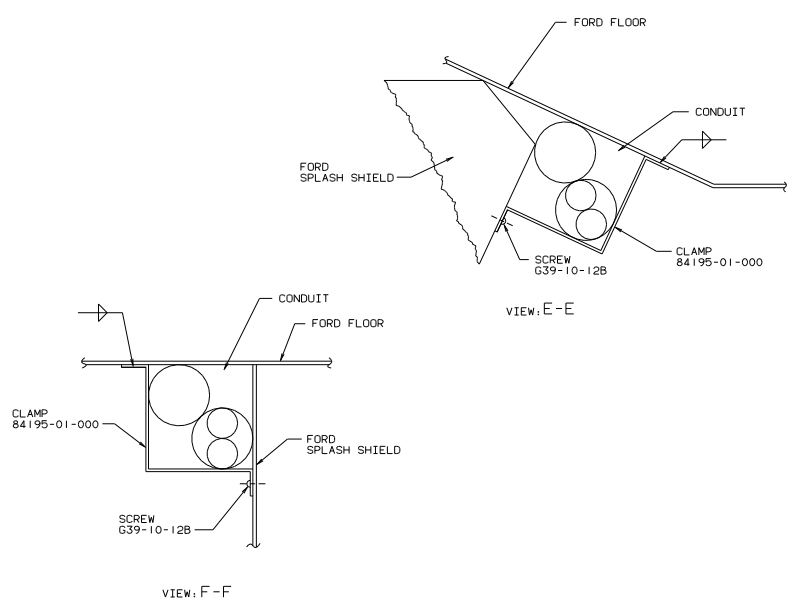
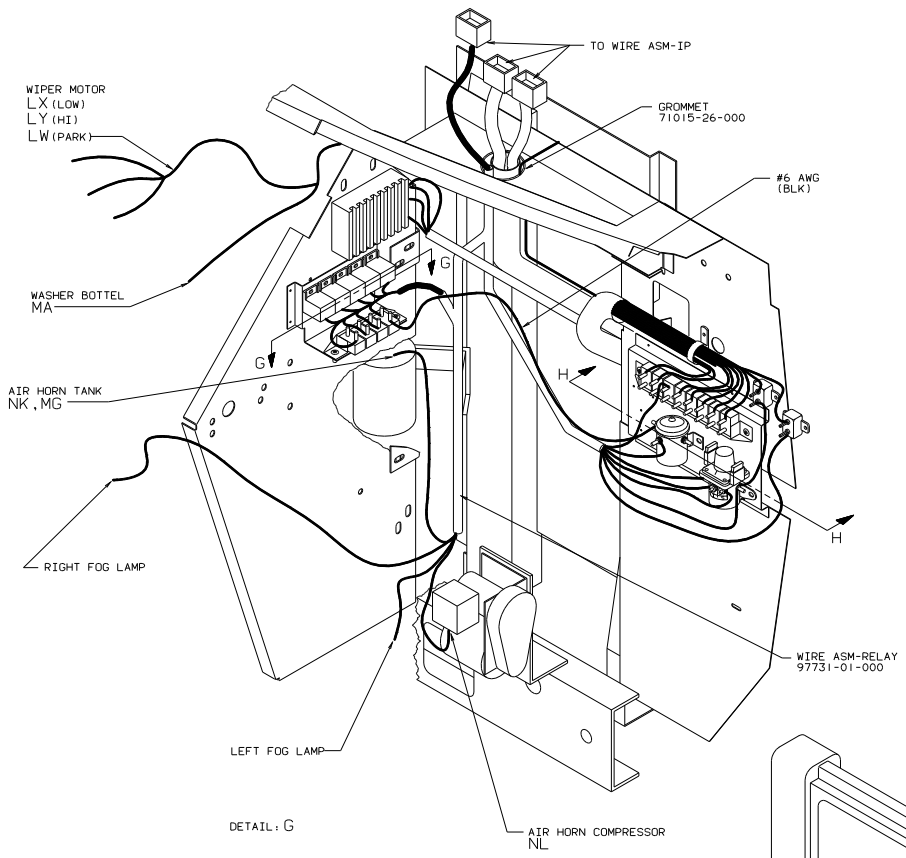
LAND: NONE TITLE: WIRING INSTL-CHASSIS
 DIA # SCALE: NONE 30 NET SCALE DRAWING SHEET 1 OF 4
 ALL DIMENSIONS ARE IN MILLIMETERS



CLAMP
10497-06-000(2)
SCREW
G32-10-14B(2)



COVER WITH CONDUIT-41953-10-000 & 41953-11-000 AS REQUIRED.



NOTES:

1 CHASSIS SUPPLIED.

2 COVER WITH CONDUIT-41953-10-000 AND 41953-11-000 AS REQUIRED.

FORD	
TITLE: WIRING INSTL-CHASSIS	
30 NET SCALE DRAWING	REV 1
SHEET 3 OF 4	DATE 11/01/00
97882	

