

WINNEBAGO 90 W/ICP32RO

DATE	UNSPECIFIED TOLERANCES ARE	MATERIAL
CHG#	UNLESS OTHERWISE SPECIFIED	
BY	ONE-PLATE 15.0	
CHK	NO-PLATE 15.000	
CDR	INCHES	
	THRU HOLE PRODUCTION	

TITLE: **WIRING DIAGRAM-BODY**

DRG NO: 97725

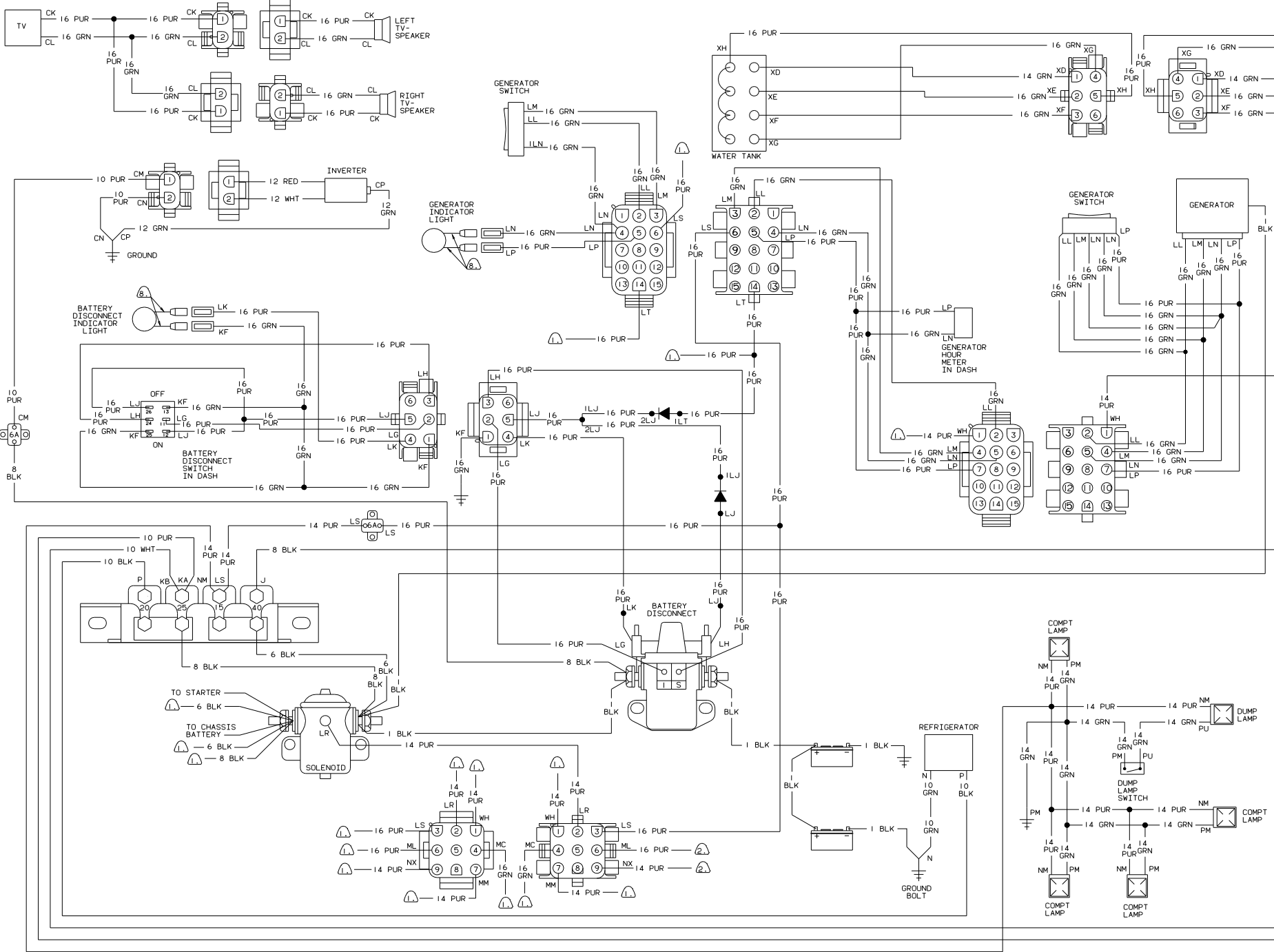
SCALE: NONE

ALL DIMENSIONS ARE IN MILLIMETERS

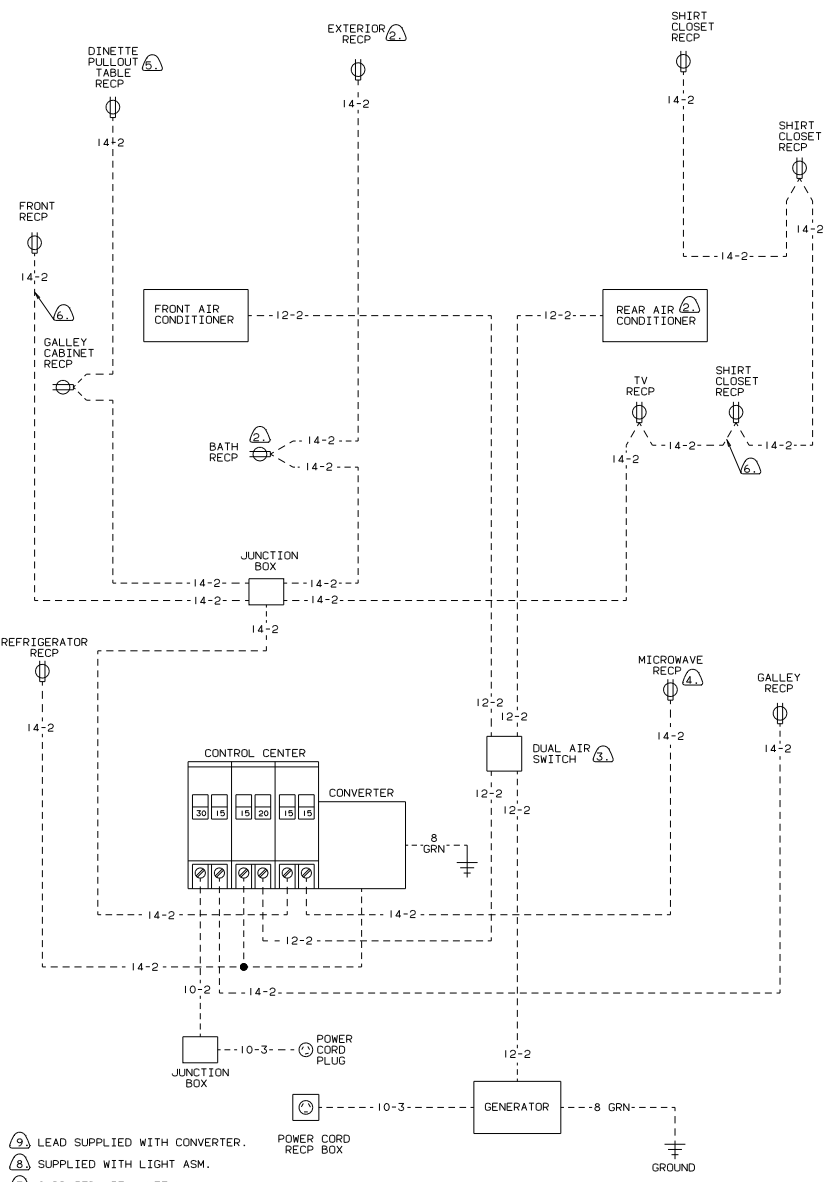
DATE: 11/11/09

REV: 1

SHEET: 1 OF 1

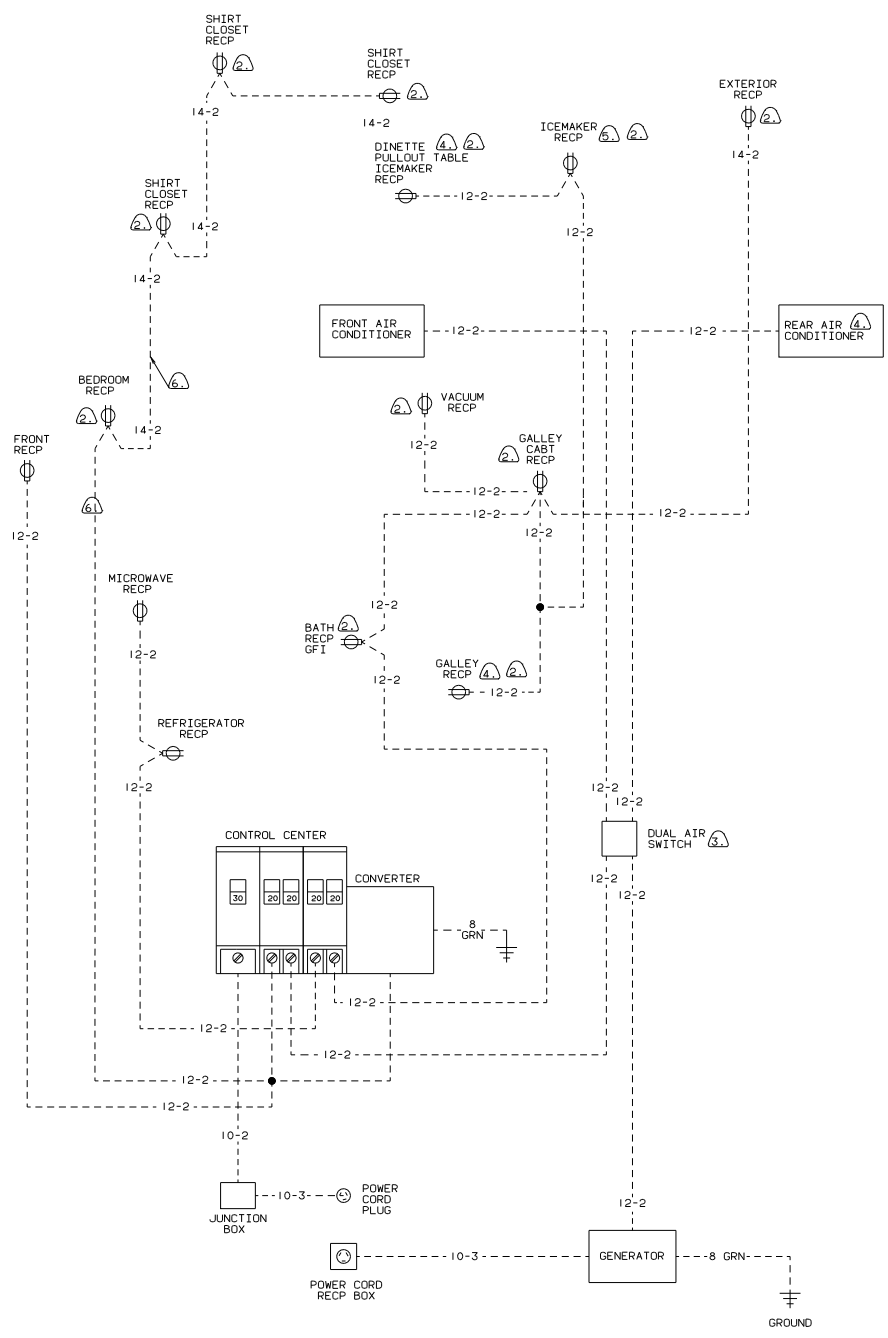


H
G
F
E
D
C
B
A



(CAN 110 VOLT WIRING)

- Ⓐ LEAD SUPPLIED WITH CONVERTER.
- Ⓑ SUPPLIED WITH LIGHT ASM.
- Ⓒ SUPPLIED WITH ANTENNA
- Ⓓ ROUTED IN ROOF.
- Ⓔ WITH ICEMAKER ONLY.
- Ⓕ ROUTED IN SIDEWALL.
- Ⓖ NOT USED WITH SINGLE AIR CONDITIONER.
- Ⓗ PROTECTED BY GROUND FAULT INTERRUPTER BREAKER.
- Ⓘ SEE DRAWING 98932-01-000(GM) OR 96310-01-000(FD) WIRING DIAGRAM-AUTO FOR ADDITIONAL WIRING.



(US 110 VOLT WIRING)