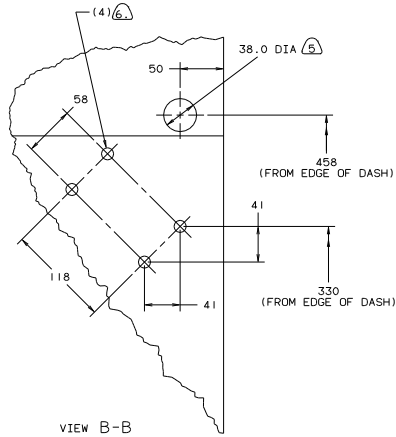
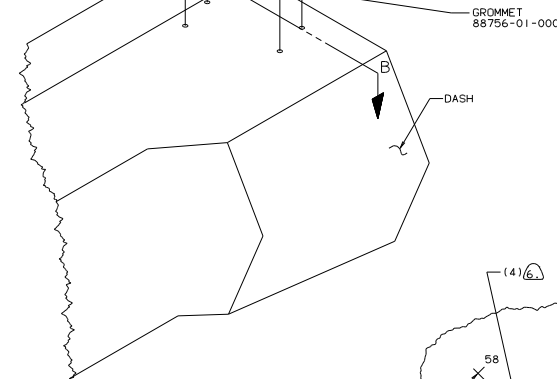
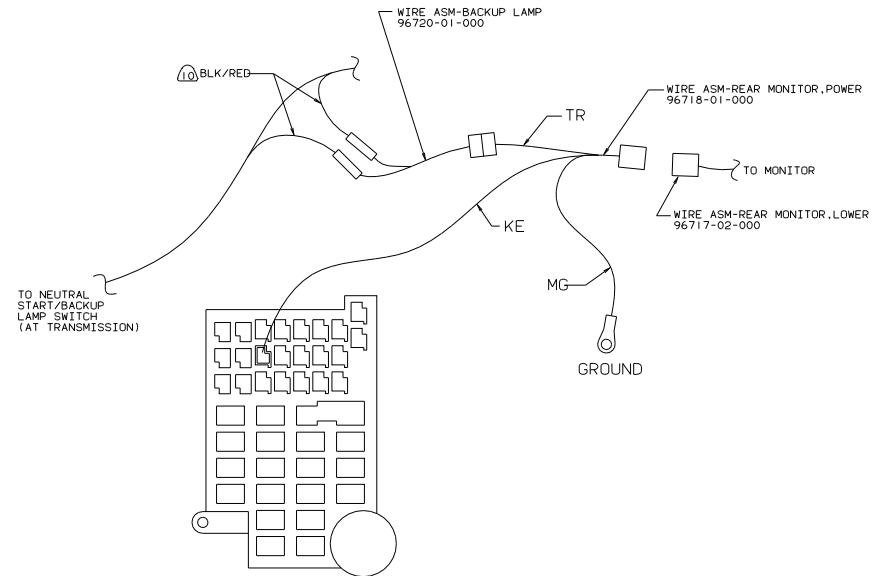


CHEVY



VIEW B-B

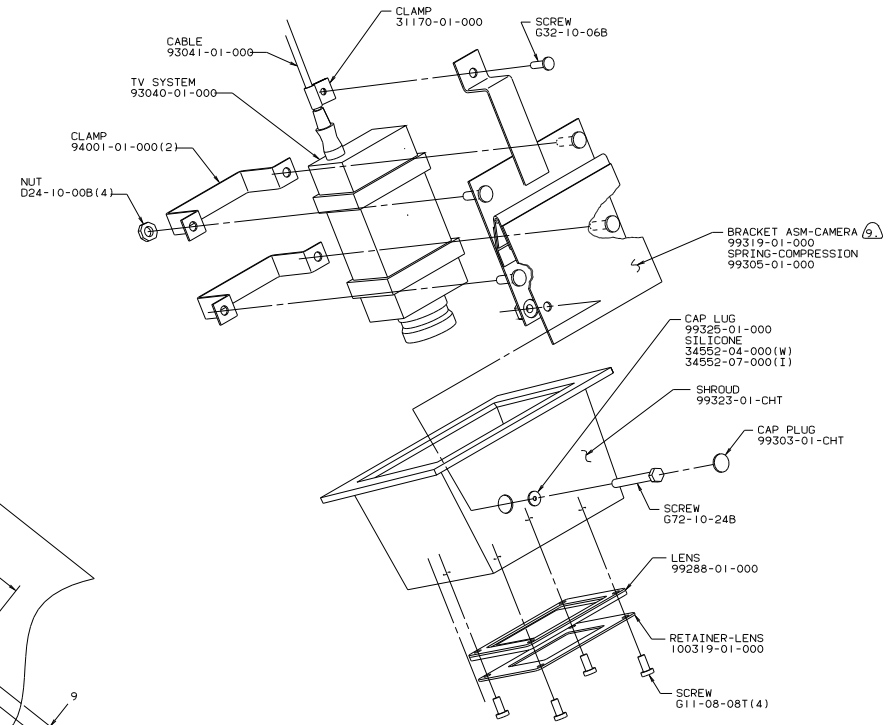
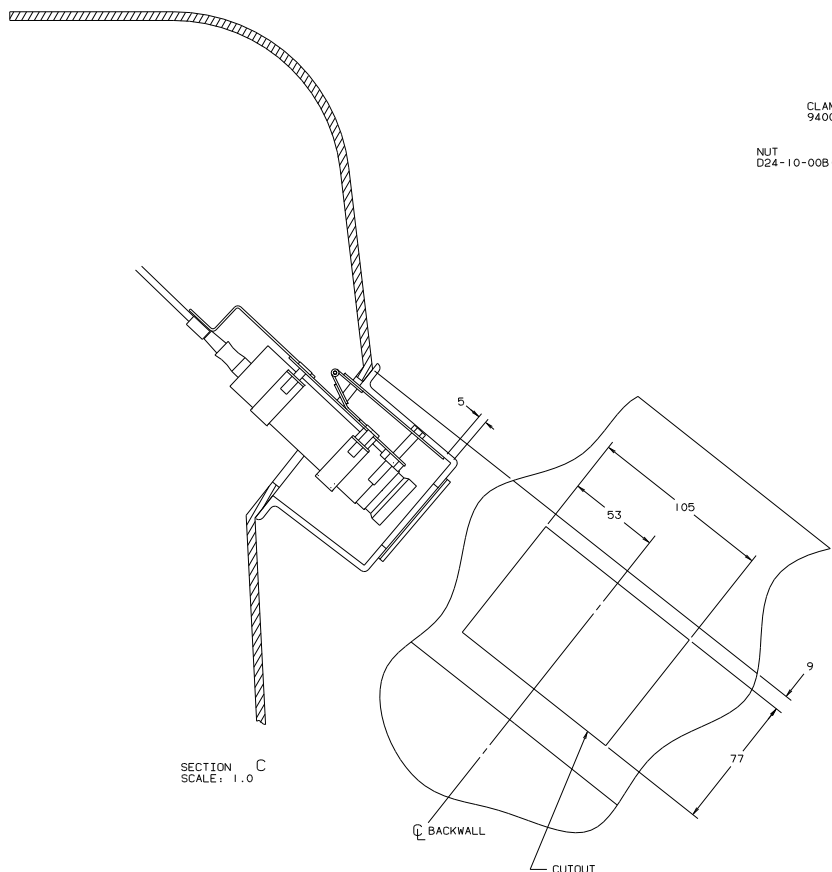


JOHN DEERE
(OSHKOSH)

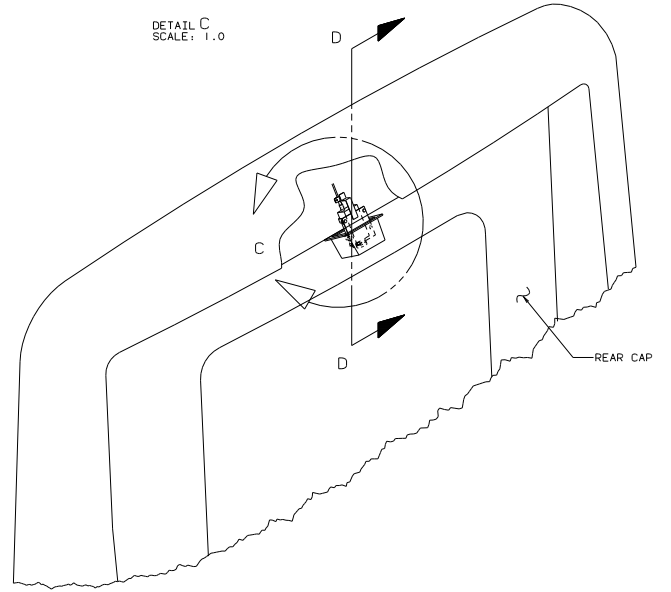
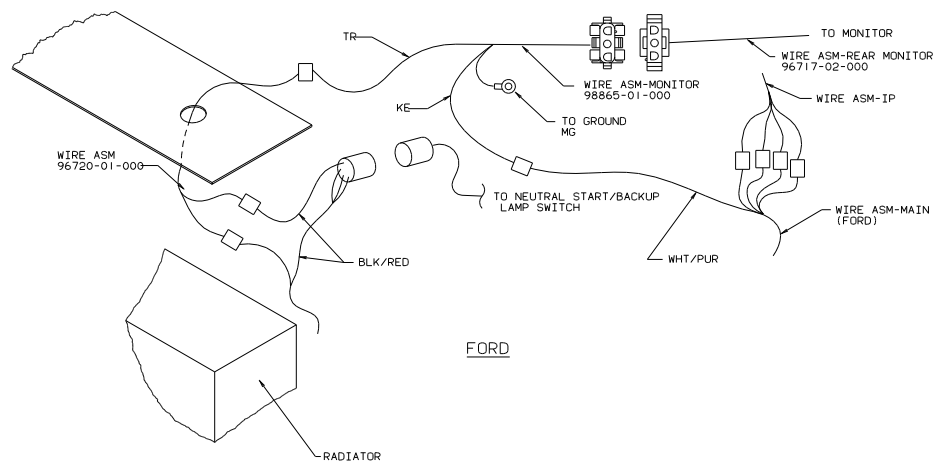
- (10) CUT WIRE AND RECONNECT AS SHOWN.
- (9) FASTEN PART TO SHROUD USING TAPE 76322-03-000.
- (8) PARTS SUPPLIED WITH CAMERA KIT P/N 93040-01-000.
- 7. INSERTS ARE LOCATED INSIDE OF OVERHEAD CABINETS.
- (6) THESE ARE SCREW LOCATIONS, NOT PRE-DRILLED HOLES.
- (5) MANUFACTURING TO DRILL HOLE THROUGH PLASTIC AND STEEL PLATE.
- (4) FACE OF MONITOR TO BE TOWARDS DRIVER, APPROX 45° OFF CENTER.
- 3. CAP SEAL AROUND RUBBER GROMMET WITH SILICONE P/N 78474-01-CHT.
- 2. CLAMP CABLE WITH WINNEBAGO WIRE ASM ALONG LEFT CHASSIS RAIL THEN UP LEFT HAND SIDE OF REAR CAP.
- (1) PARTS SUPPLIED WITH CAMERA KIT P/N 93040-02-000.

NOTES:

WINNEBAGO		90 M-BODY
DATE	UNSPECIFIED TOLERANCES ARE:	MATERIAL
CHRP	ANGLE DIM (IN)	1:1.5
DR	ONE-PLACE (IN.XI)	.
BY	TWO-PLACE (IN.XXX)	.
CHK	ANGLE	.
CDR	THIRD ANGLE PROJECTION	
LABOR NO.	TITLE:	MONITOR INSTL
DIA #	SCALE: NONE	30 MET SCALE DRAWING
ALL DIMENSIONS ARE IN MILLIMETERS	SHEET 1	OF 2
2 REF: 93962	97641	



DETAIL C
SCALE: 1.0



TITLE: MONITOR INSTL	
30 NET SCALE (Drawing)	REV (ing)
SHEET 2 of 2	1 E
97641	