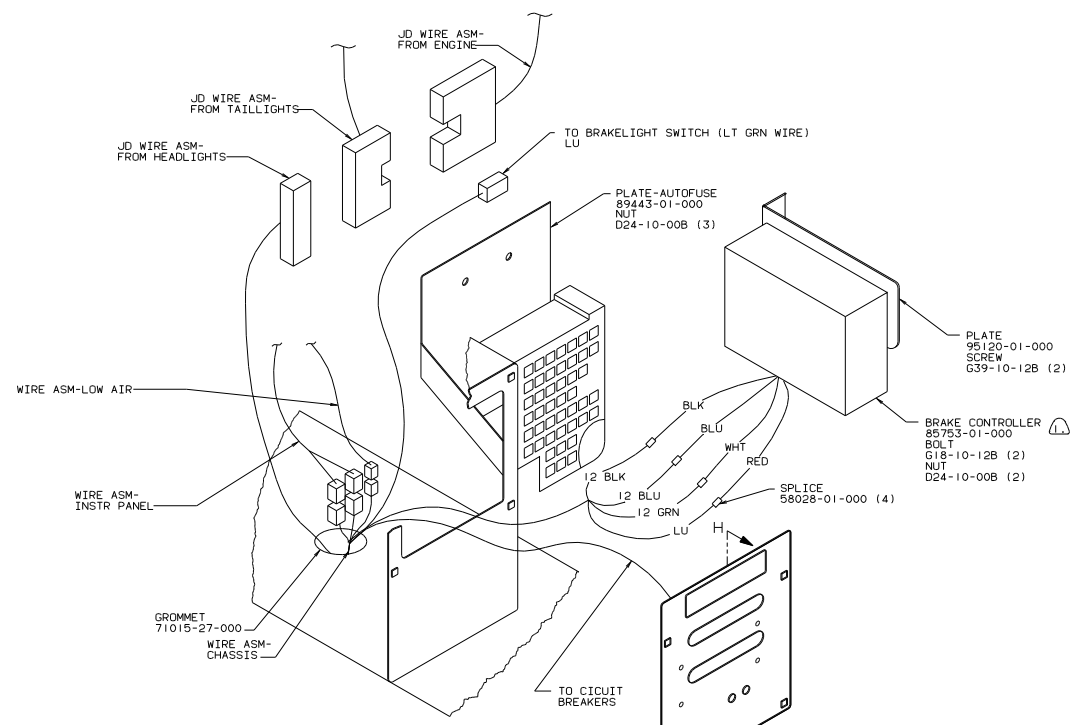
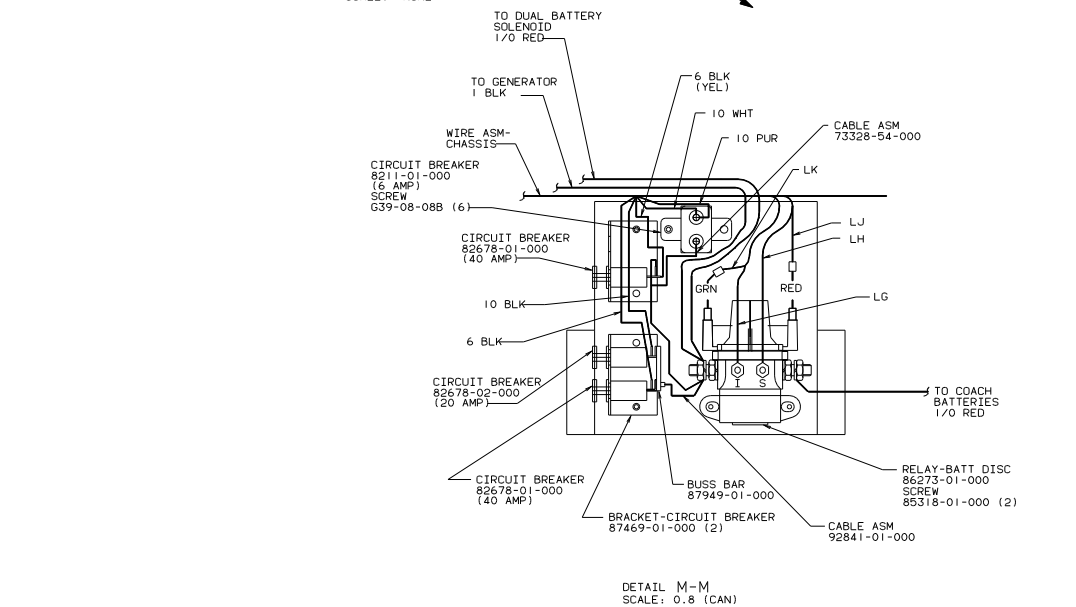


- NOTES:
- ② USE TIE-WIRE (8343-02-000) EVERY 150 MM.
  - ① COVER AUX BATTERY CABLE AND TAIL LAMP WIRE ASM.

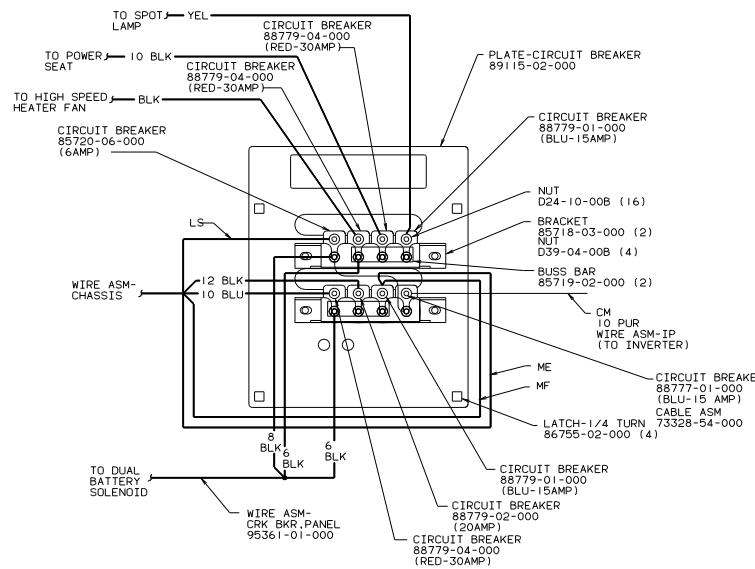
TITLE: WIRING INSTL-CHASSIS	
30 MM SCALE DRAWING	REV 1
SHEET 2 OF 4	DWG NO 97546



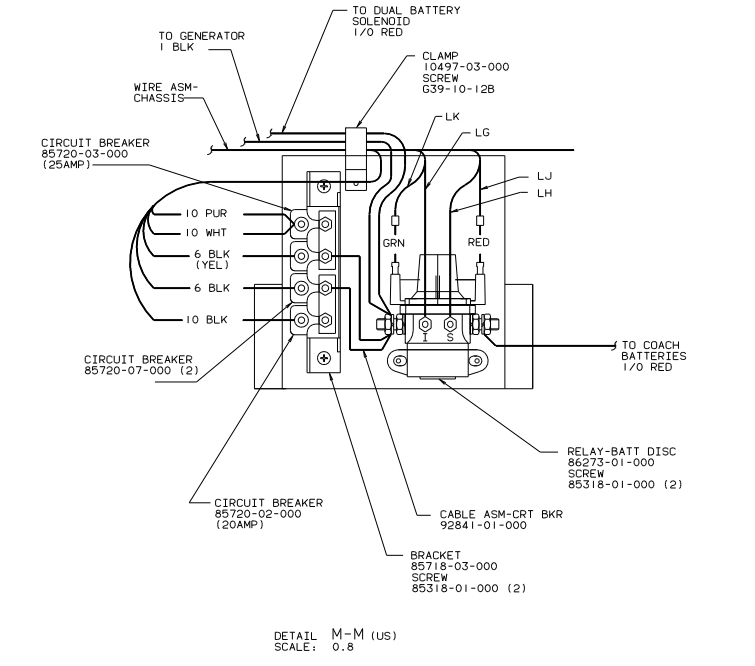
DETAIL G-G SCALE: NONE



DETAIL M-M SCALE: 0.8 (CAN)



DETAIL H-H SCALE: 0.6



DETAIL M-M (US) SCALE: 0.8

⚠ BRAKE CONTROLLER MUST BE MOUNTED HORIZONTAL.

NOTES:

TITLE: WIRING INSTL-CHASSIS			
30 NET SCALE DRAWING	SHEET 3 OF 4	REV 1	DATE 11/01/09

