

- FOR ADDITIONAL INFORMATION, SEE WIRING INSTALLATION CHASSIS.
- ▲ RLC 1930, WIRE W/ CIRCUIT BREAKERS.
  - ▲ USE OPENING FOR SWITCH TRANS WHEN SWITCH-REAR WIPER IS ALSO USED.
  - ▲ USE OPENING FOR EITHER SWITCH-FANS OR SWITCH-REAR WIPER.
  - ▲ USE HOT MELT GLUE 77029-01-000.
  - ▲ USE WITH LOW AIR INDICATOR LAMP.
  - ▲ USE WITH FRONT DOOR.
  - ▲ USE WIRE TH'S 2043-01-000 AND CLAMPS 10497-01-000 APPROX 610 MM ON CENTER.

NOTES:

WITH FORD CHASSIS

**WINNEBAGO**

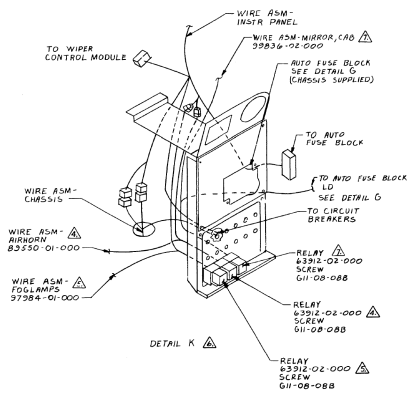
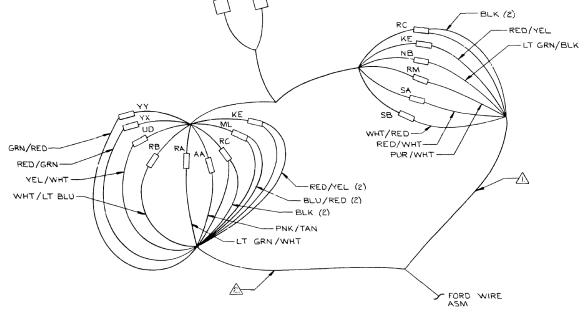
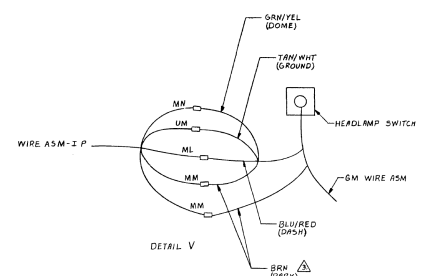
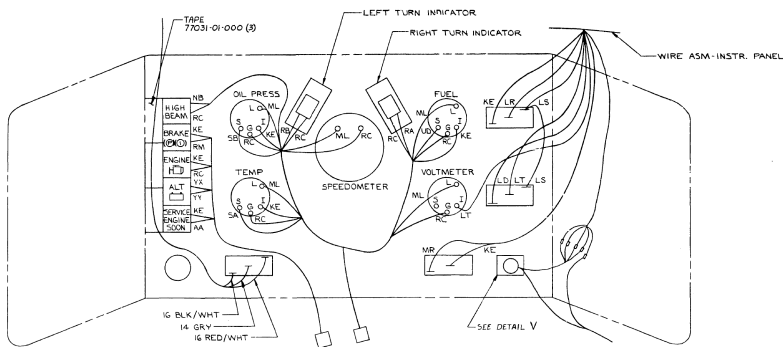
DATE	DATE	DATE	DATE
REV	REV	REV	REV
BY	BY	BY	BY
CHECKED	CHECKED	CHECKED	CHECKED
APPROVED	APPROVED	APPROVED	APPROVED

ALL DIMENSIONS ARE IN MILLIMETERS

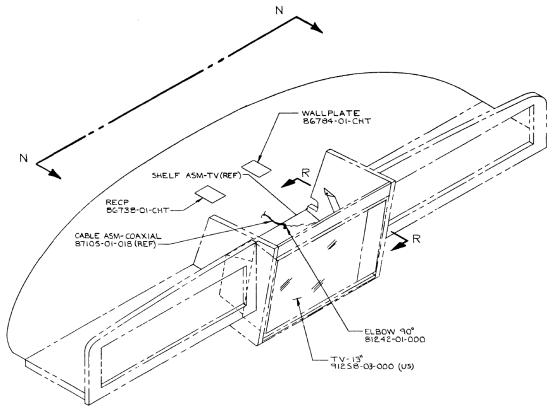
WIRING INSTL-FRONT END, FORD

REF: 93831

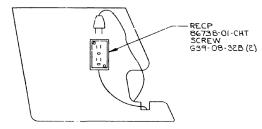




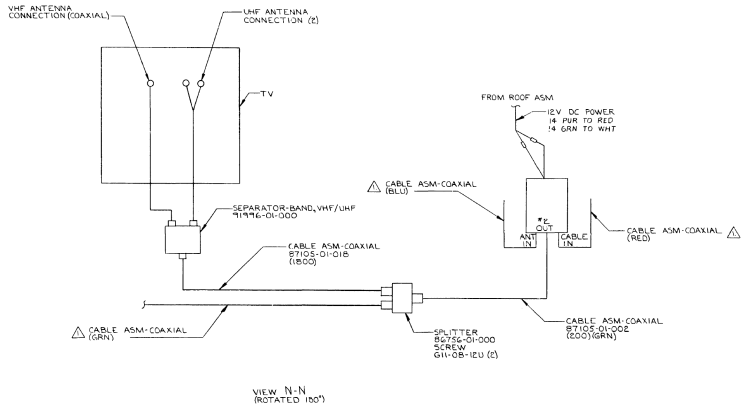
- NOTES:
- ▲ USE WITH ELECTRIC MIRRORS ONLY.
  - ▲ RLC 1990, W/NEW CIRCUIT BREAKERS.
  - ▲ USE WITH FOG LAMPS ONLY.
  - ▲ USE WITH AIRHORNS ONLY.
  - ▲ CUT EXISTING WIRE AND RECONNECT AS SHOWN.
  - ▲ REMOVE FORD BLACK HOUSING.
  - ▲ REMOVE FORD GRAY HOUSING.



TV INSTALLATION



VIEW R-R

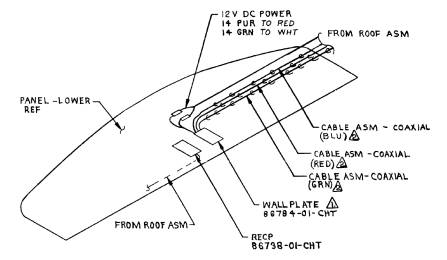
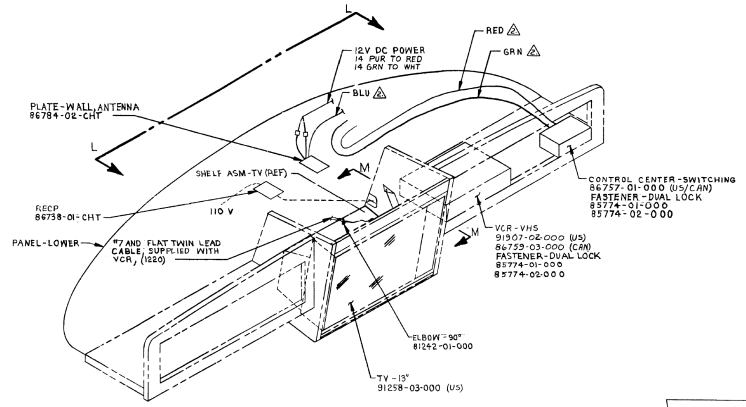


VIEW N-N (ROTATED 180°)

NOTE: CABLE ASM-MARKED WITH COLOR TAPE AS INDICATED.

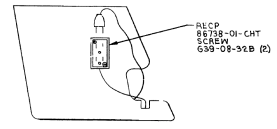
SHARP TV

WIRING INSTL-FRONT END, FORD

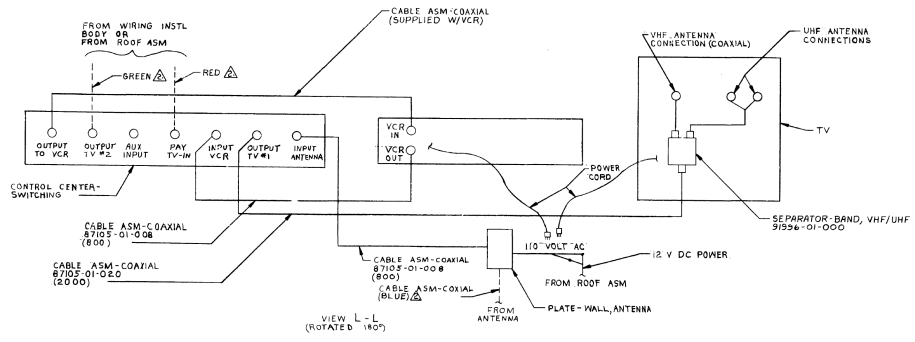


W/O TV AND VCR

TV AND VCR INSTALLATION



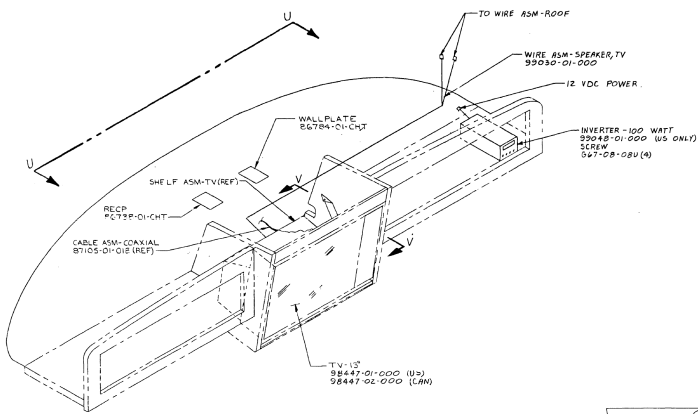
VIEW M-M



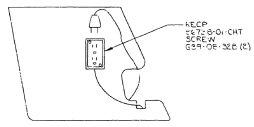
VIEW L-L (ROTATED 180°)

SHARP TV  
SHARP VCR (US)  
GENERAL ELECTRIC VCR (CAN)

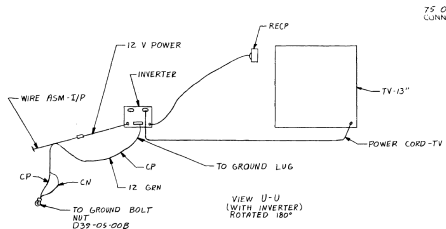
▲ CABLE ASM-MARKED WITH COLOR TAPE AS INDICATED.  
▲ USE WITH TV ANTENNA ONLY.  
NOTES:



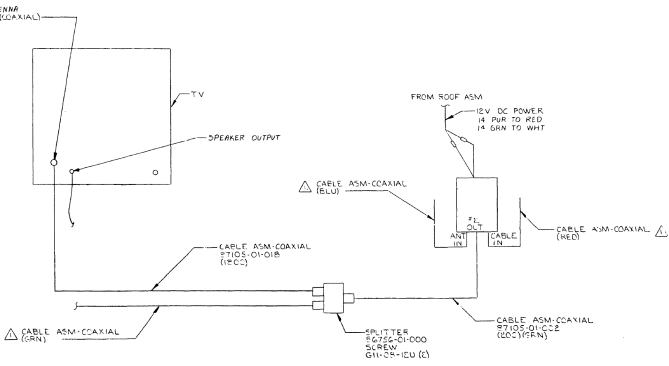
TV INSTALLATION



VIEW V-V



VIEW U-U (WITH INVERTER) ROTATED 180°

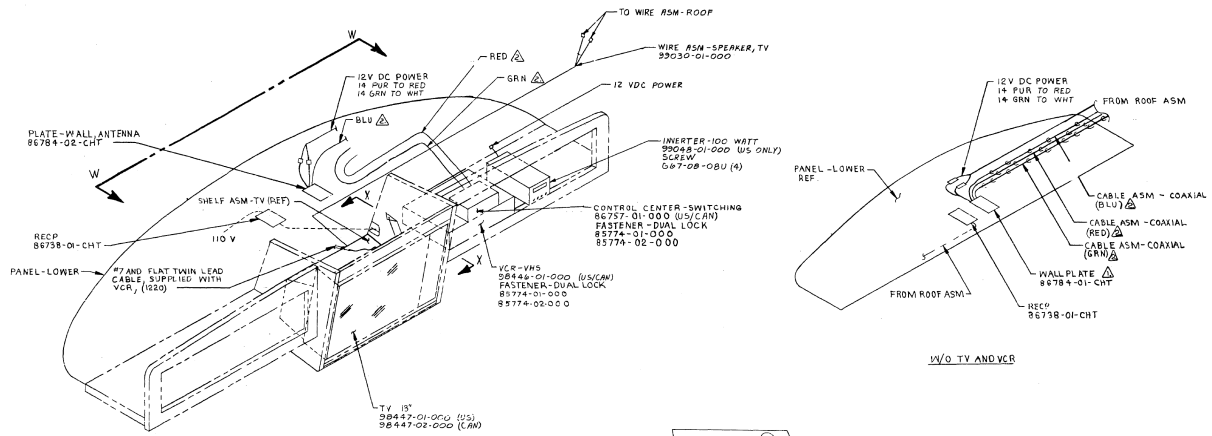


VIEW U-U (ROTATED 90°) WITHOUT INVERTER

△ CABLE ASM-MARKED WITH COLOR TAPE AS INDICATED.

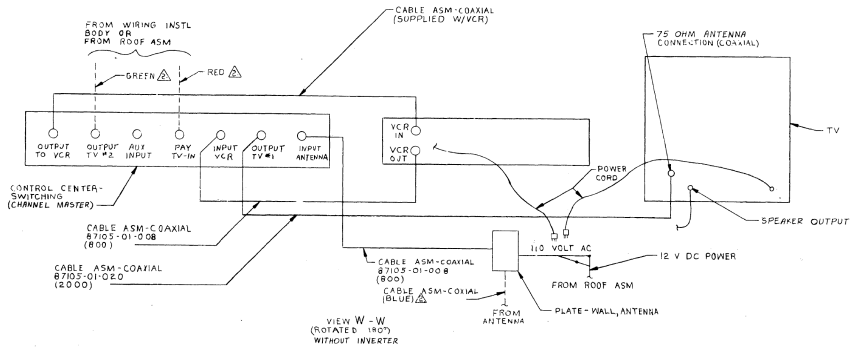
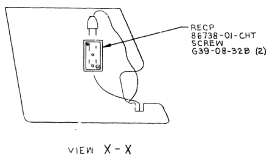
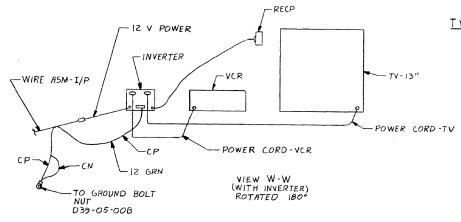
MAGNAVOX TV

WIRING INSTL-FRONT END, FORD



W/O TV AND VCR

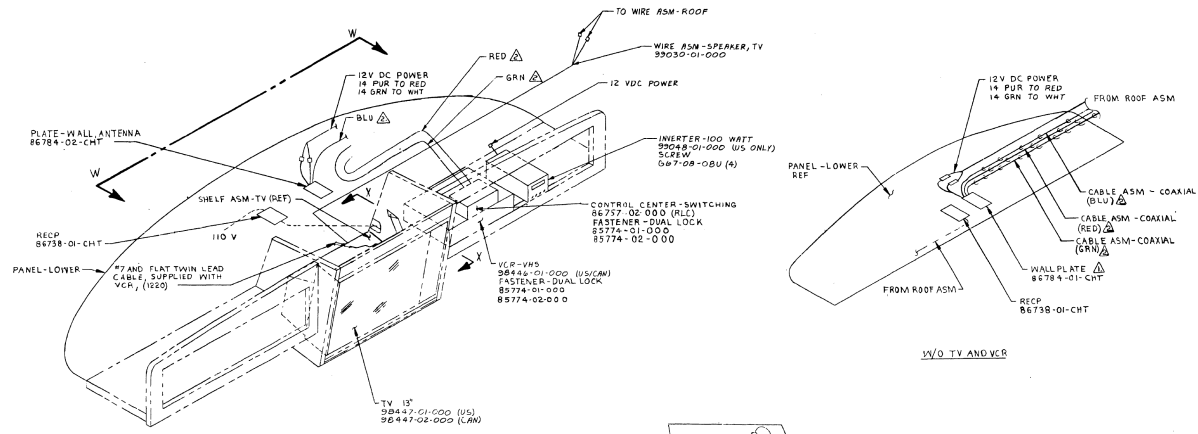
TV AND VCR INSTALLATION



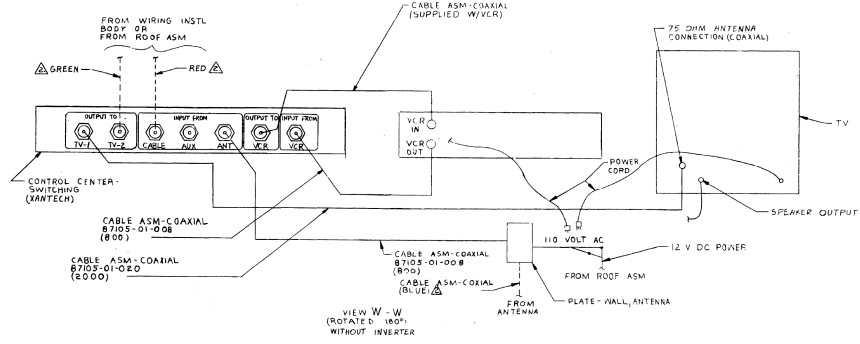
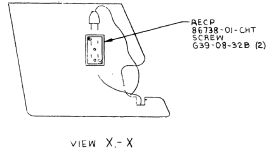
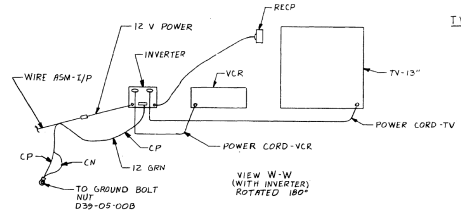
▲ CABLE ASM-MARKED WITH COLOR TAPE AS INDICATED.  
▲ USE WITH TV ANTENNA ONLY.  
NOTES:

MAGNA VOX TV  
MAGNA VOX VCR  
CHANNEL MASTER SWITCHER

WIRING INSTL-  
FRONT END-FORD



TV AND VCR INSTALLATION

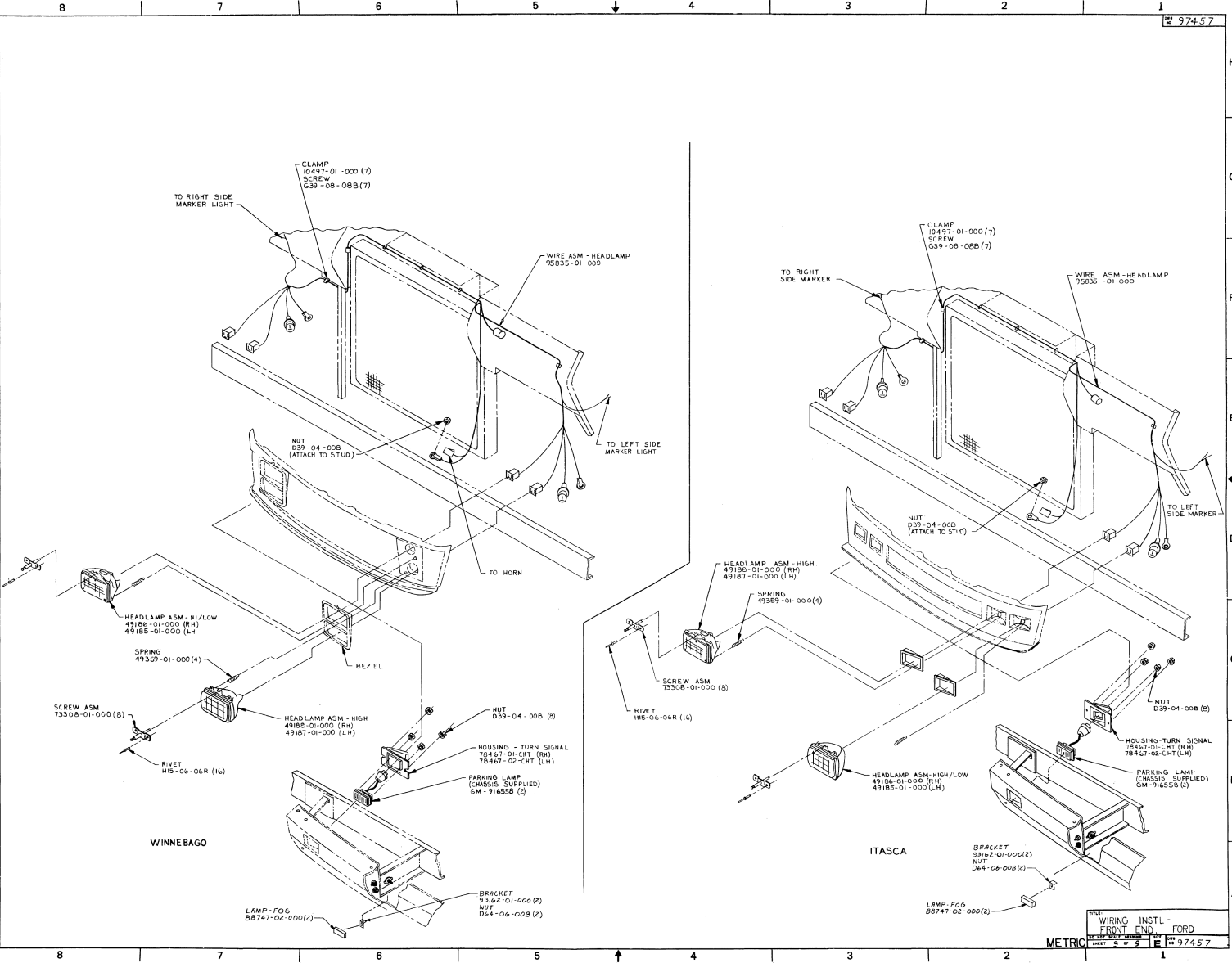


▲ CABLE ASM-MARKED WITH COLOR TAPE AS INDICATED.  
▲ USE WITH TV ANTENNA ONLY.

MAGNAVOX TV  
MAGNAVOX VCR  
ANTECH SWITCHER

WIRING INSTL - FRONT END - FORD





WINNEBAGO

ITASCA

WIRING INSTL - FRONT END - FORD  
 PART 974-57  
 METRIC