

- △ GROMMET TABS TO BE ORIENTED WITH PRONGS ON TOP AND BOTTOM.
- △ WIRE ASM MUST NOT BE OBSTRUCTED IN THIS AREA.
- △ IGNITION POWER FOR ADDITIONAL OPTIONS.
- △ SEE WIRING DIAGRAM DRAWING FOR WIRE CONNECTIONS.
- △ INSTALL COMPONENT WITH SWITCH NOT REQ'D WITH SWITCH-BLANK.
- △ APPLY TO COVER CLEAR LEGEND ON BEEZEL USE FILM 77031-01-000 WITH SWITCH-BLANK AND FILM 77031-02-000 WITH SWITCH.
- △ FORD CHASSIS SUPPLIED.
- △ REMOVE EXISTING FUSE, REPLACE WITH FUSE SHOWN.

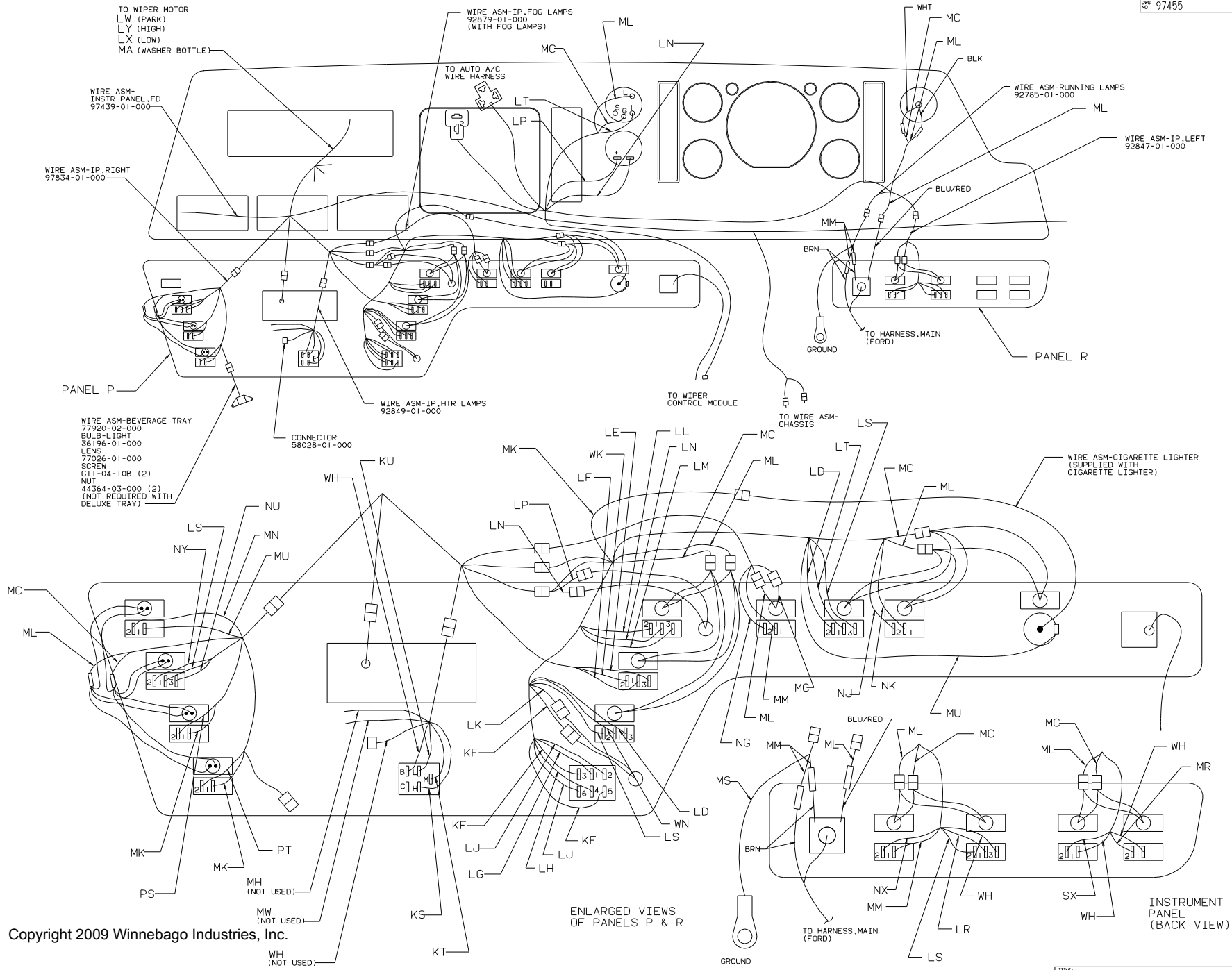
WINNEBAGO

DATE: _____
 PREPARED BY: _____
 CHECKED BY: _____
 REVISED BY: _____
 DATE: _____

UNLESS OTHERWISE NOTED:
 ALL DIMENSIONS ARE IN MILLIMETERS
 ALL ANGLES ARE IN DEGREES

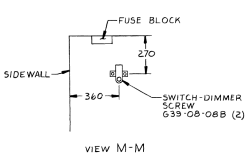
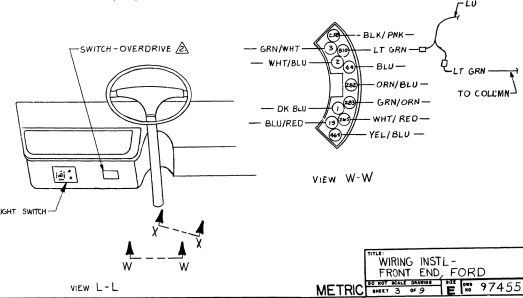
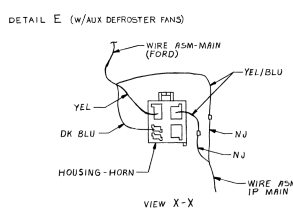
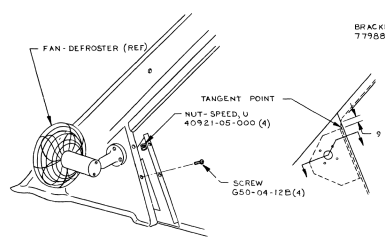
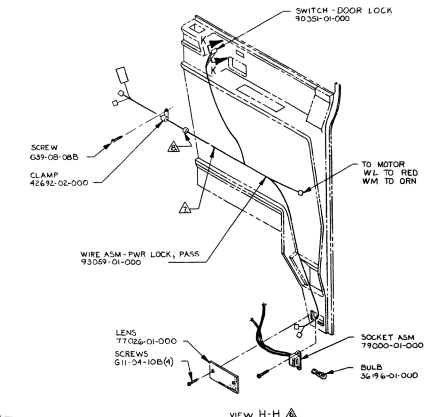
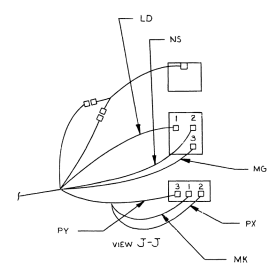
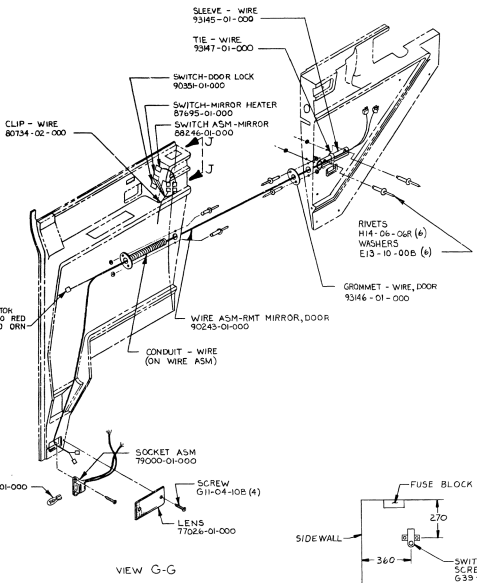
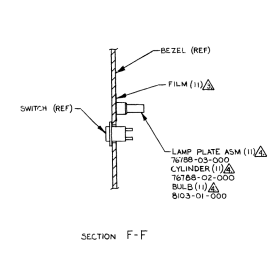
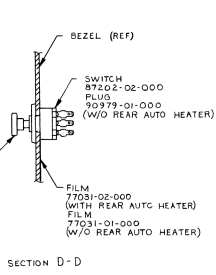
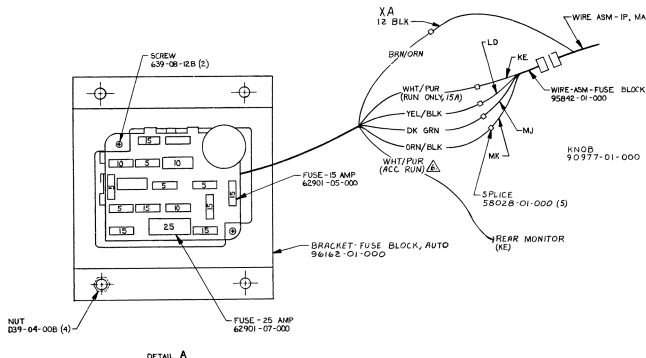
WIRING INSTL-FRONT END-FORD
 UNIT: 972

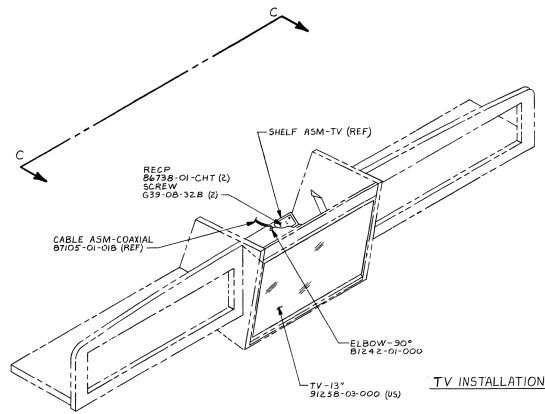
REF: 95832



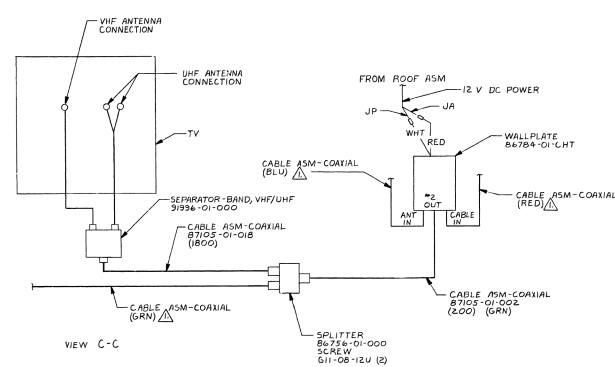
Copyright 2009 Winnebago Industries, Inc.

TITLE: WIRING INSTL-FRONT END	
30 MIL SCALE (DRAWING)	SIZE: 11 x 17
SHEET 2 OF 6	DWG NO 97455





TV INSTALLATION



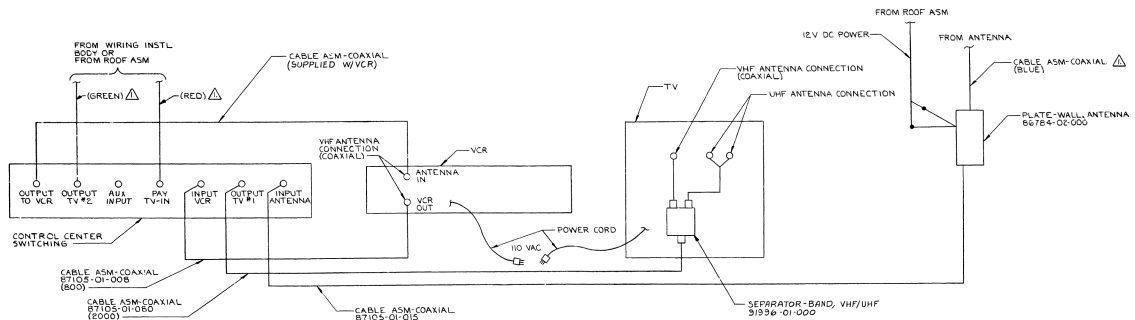
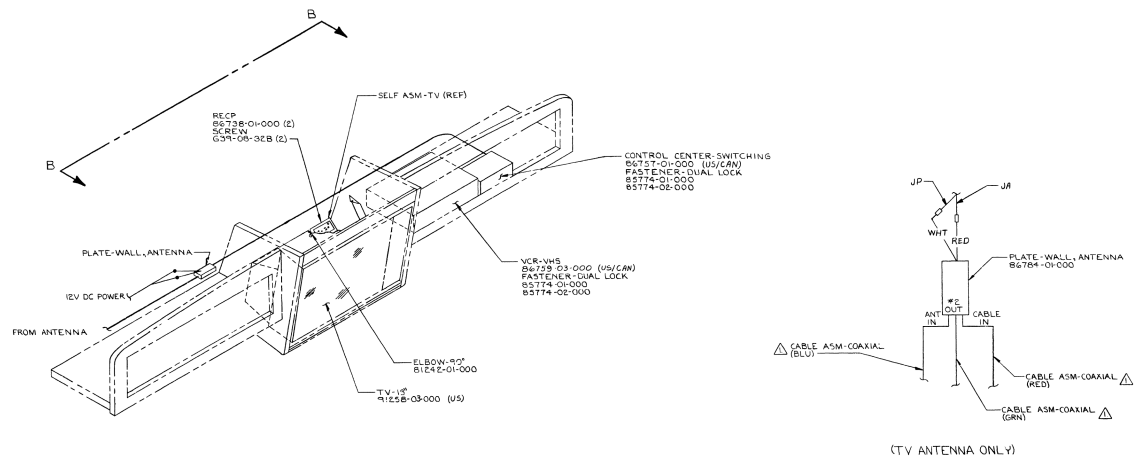
VIEW C-C

SHARP TV

NOTE: CABLE ASM-MARKED WITH COLOR TAPE AS INDICATED.

WIRING INSTL- FRONT END, FORD			
REV	DATE	BY	CHK
001	8-89	JE	97455

METRIC

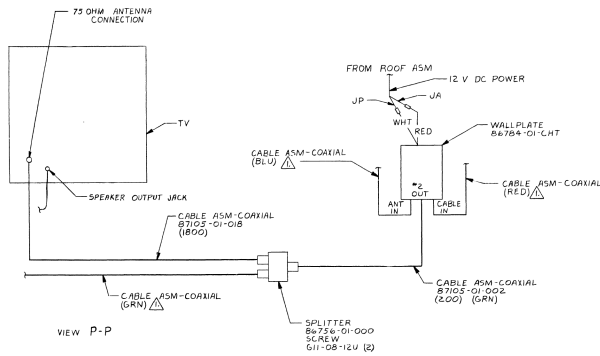
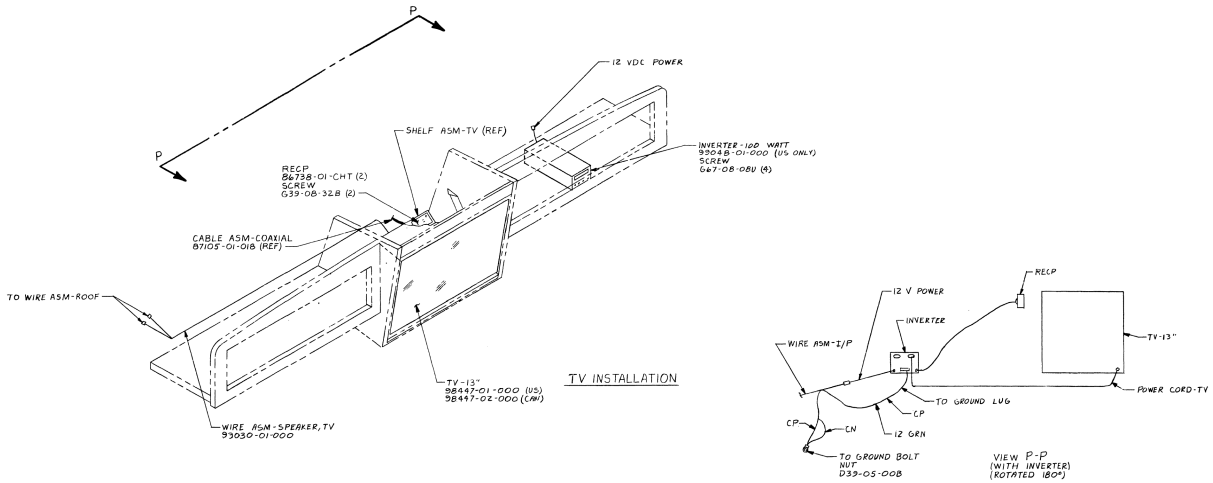


VIEW B-B
(TV AND VCR INSTL)

NOTE: CABLE ASM-MARKED WITH COLOR TAPE AS INDICATED.

SHARP TV
GENERAL ELECTRIC VCR

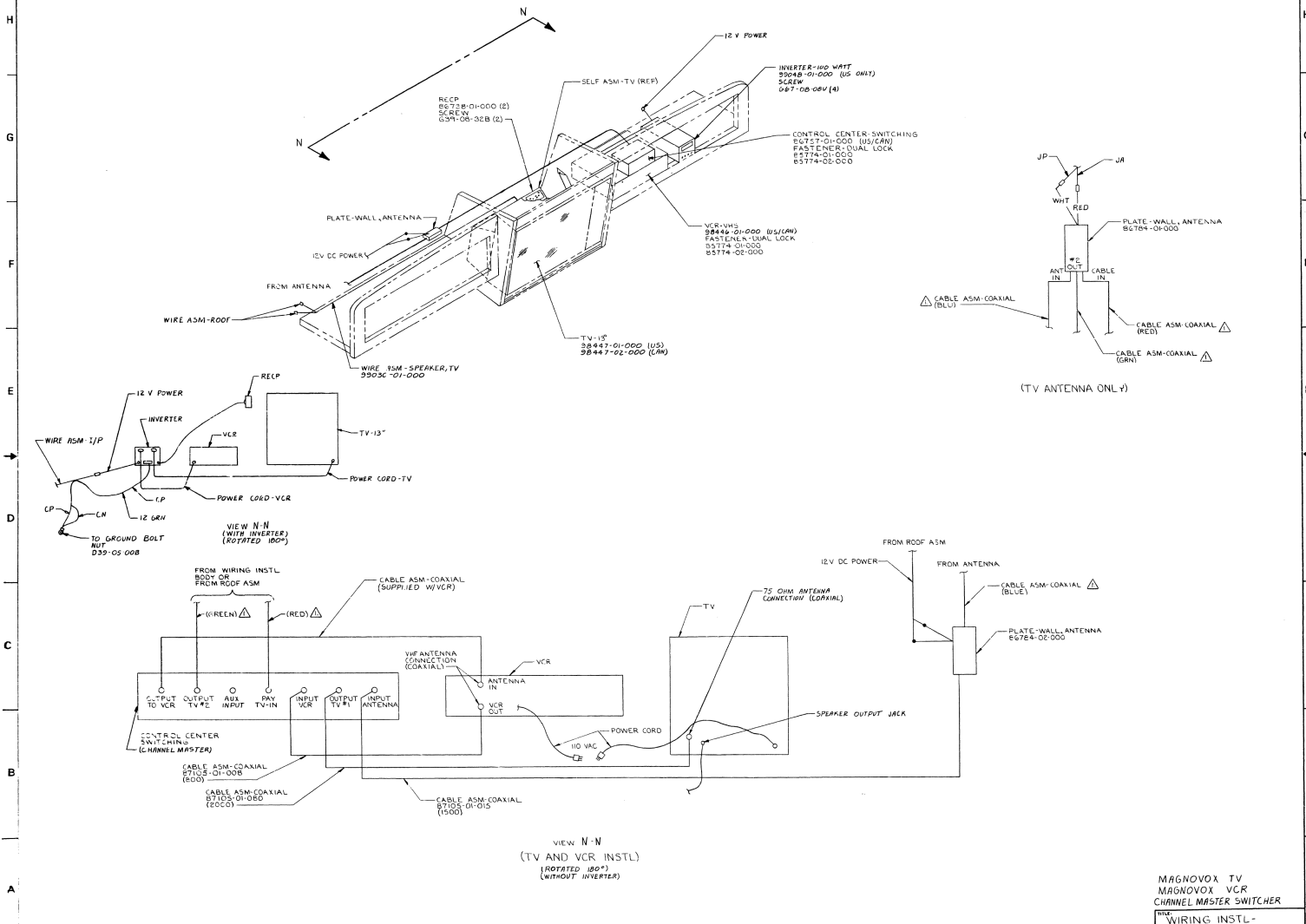
FRONT WIRING INSTL - FRONT END FORD



CABLE ASM-MARKED WITH COLOR TAPE AS INDICATED.

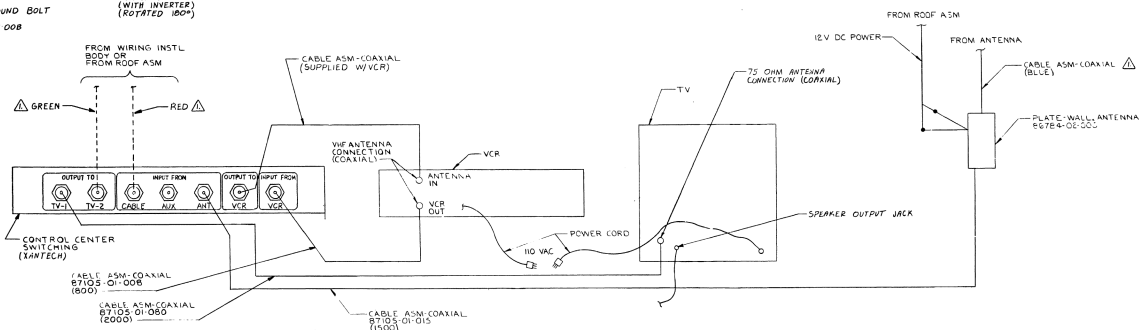
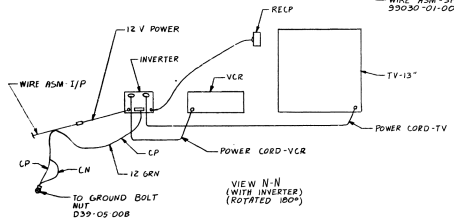
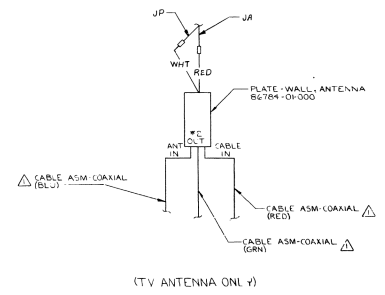
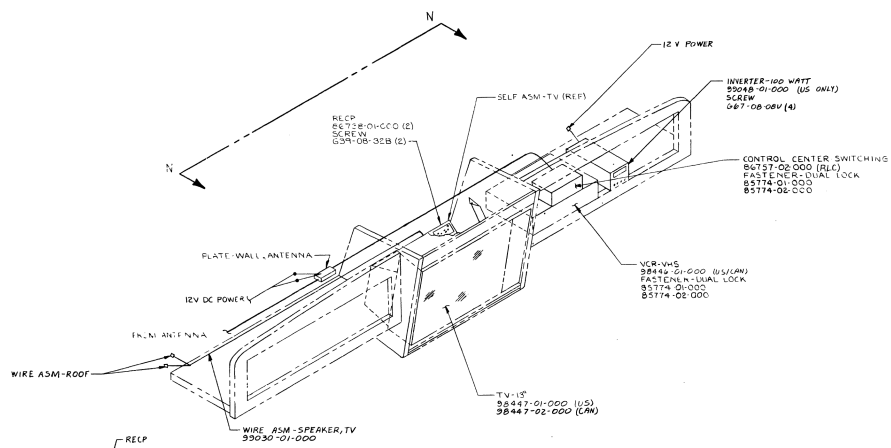
MAGNOVOX TV

WIRING INSTL-FRONT END-FORD



WIRE IS TO BE REID WITH CLEAR TAPE AS INDICATED.

MAGNOVOX TV
MAGNOVOX VCR
CHANNEL MASTER SWITCHER
WIRING INSTL-FRONT END, FORD
PART 7455

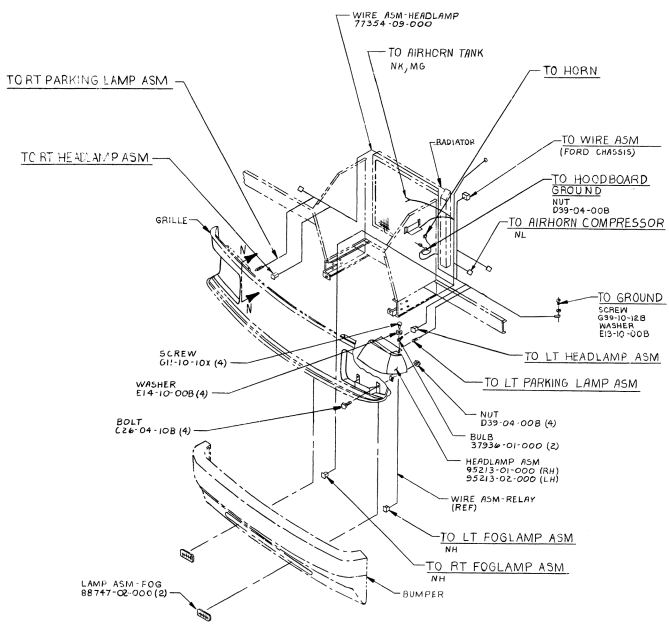


VIEW N-N
(TV AND VCR INSTL)
(ROTATED 180°)
(WITHOUT INVERTER)

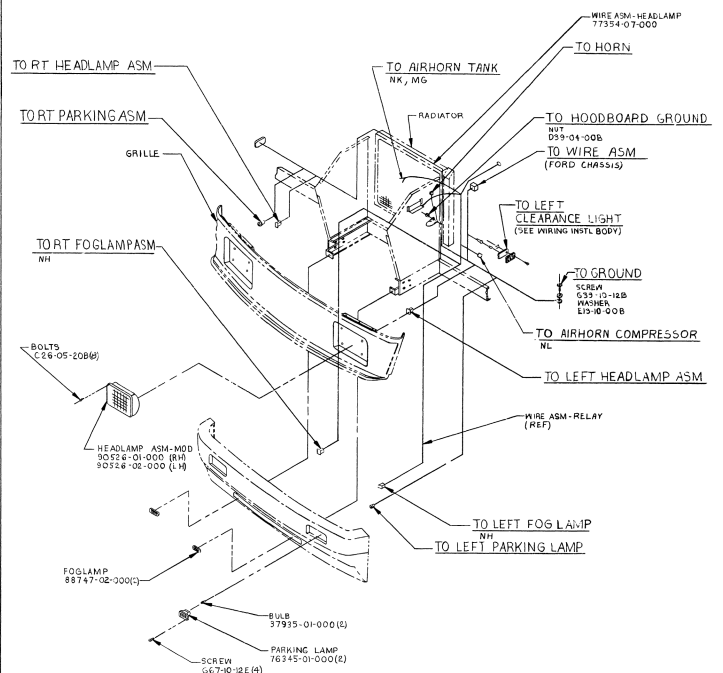
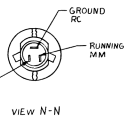
MAGNOVOX TV
MAGNOVOX VCR
XANTECH SWITCHER

WIRING INSTL-
FRONT END, FORD

△ CABLE ASM-MARKED WITH COLOR TAPE AS INDICATED.



ITASCA



WINNEBAGO