

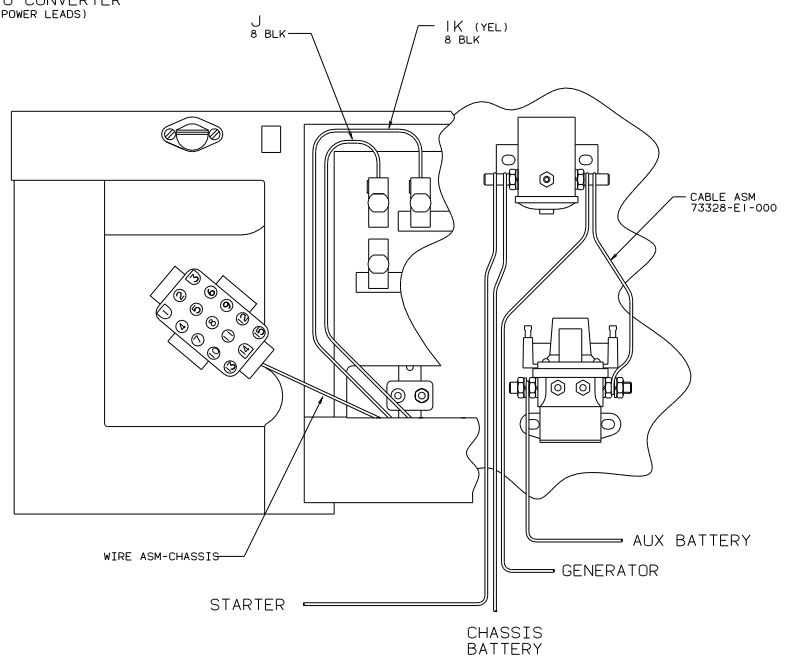
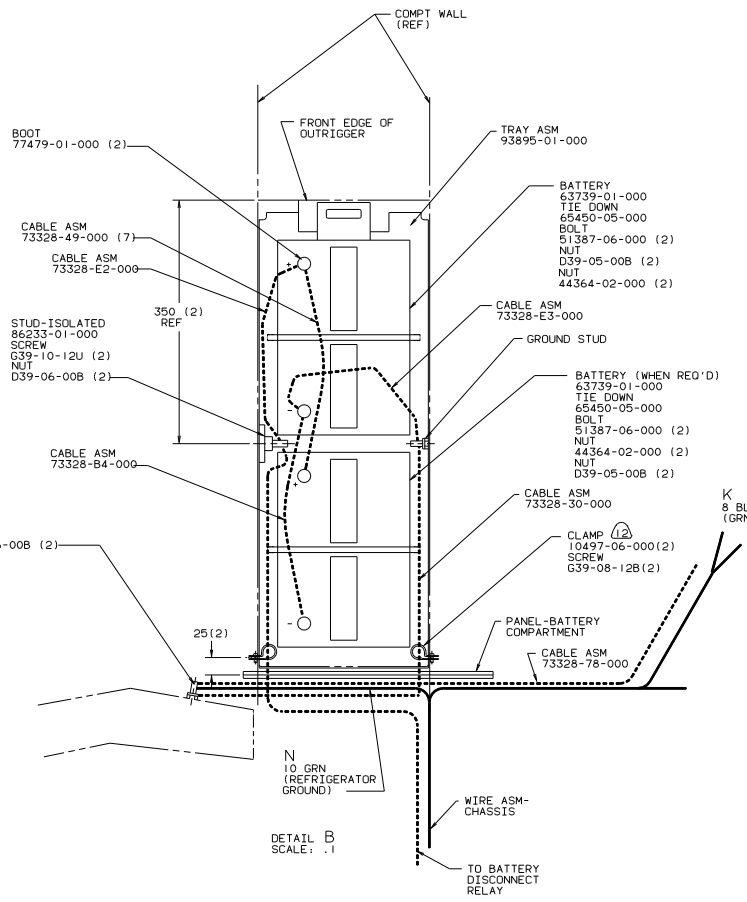
- 15 DISCONNECT EXISTING FORD WIRE ASM-CHASSIS (NEAR TRANSMISSION) AND INSERT EXTENSION 98978-01-000.
  - 14 TRIM CHASSIS BATTERY CABLE TO 2200 MM.
  - 13 ALL DIMENSIONS ARE FROM DATUM UNLESS OTHERWISE SPECIFIED.
  - 12 CLAMP SHALL BE LOCATED 25 MINIMUM ABOVE BACK EDGE OF COMPARTMENT.
  - 11 BRANCH NOT USED ON ITASCA FROM HERE TO END OF BRANCH.
  - 10 USE GROMMET 71015-17-000 WHERE WIRES PASS THRU COMPARTMENT WALL.
  - 9 SUPPLIED WITH CHASSIS.
  - 8 CLAMP 83610-01-000(7), SCREW G39-08-12B(7).
  - 7 CLAMP 10497-02-000(2), SCREW G39-08-12B(7).
  - 6 CLAMP 10494-04-000(3), SCREW G39-08-12B(3).
  - 5 CLAMP 83609-01-000(7), SCREW G39-08-08B(7).
  - 4 INCLUDE GM BRAKE LIGHT WIRE HARNESS WITH WIRE ASM-CHASSIS FROM HERE TO FRONT.
  - 3 COVER AUX BATTERY CABLE AND TAIL LAMP WIRE ASM WITH CONDUIT 41953-10-000. TIE EVERY 150 WITH 008343-02-000.
2. SECURE CONDUIT 41953-09-000, 41953-10-000 & 41953-11-000 OVER ALL WIRES IN CONTACT WITH SHARP EDGES.
1. LEGEND: — WINNEBAGO WIRING, - - - CABLE, --- CHASSIS SUPPLIED WIRING.

CHEVY

|                                   |                             |                             |
|-----------------------------------|-----------------------------|-----------------------------|
| <b>WINNEBAGO</b>                  |                             | 90 WCN33R0                  |
| DATE                              | UNSPECIFIED TOLERANCES ARE: | MATERIAL                    |
| DRW                               | WHOLE DIM (IN)              | 1/4"                        |
| FILE                              | ONE-PLACE (IN, IN)          | 1/8"                        |
| FILE                              | TWO-PLACE (IN, IN)          | 1/16"                       |
| FILE                              | ANGLE                       | 1/32"                       |
| FILE                              | THIRD ANGLE PROJECTION      |                             |
| LANE#                             | N33R00                      | TITLE: WIRING INSTL-CHASSIS |
| DIA #                             | SCALE: .015                 | DO NOT SCALE DRAWING        |
| ALL DIMENSIONS ARE IN MILLIMETERS | SHEET 1 OF 3                | DATE 1/1/00                 |

2 REF: 94584





SECTION A-A  
SCALE: .8

|                             |              |
|-----------------------------|--------------|
| TITLE: WIRING INSTL-CHASSIS |              |
| 30 NET SCALE DRAWING        | REV 1        |
| SHEET 3 OF 3                | DWG NO 97330 |