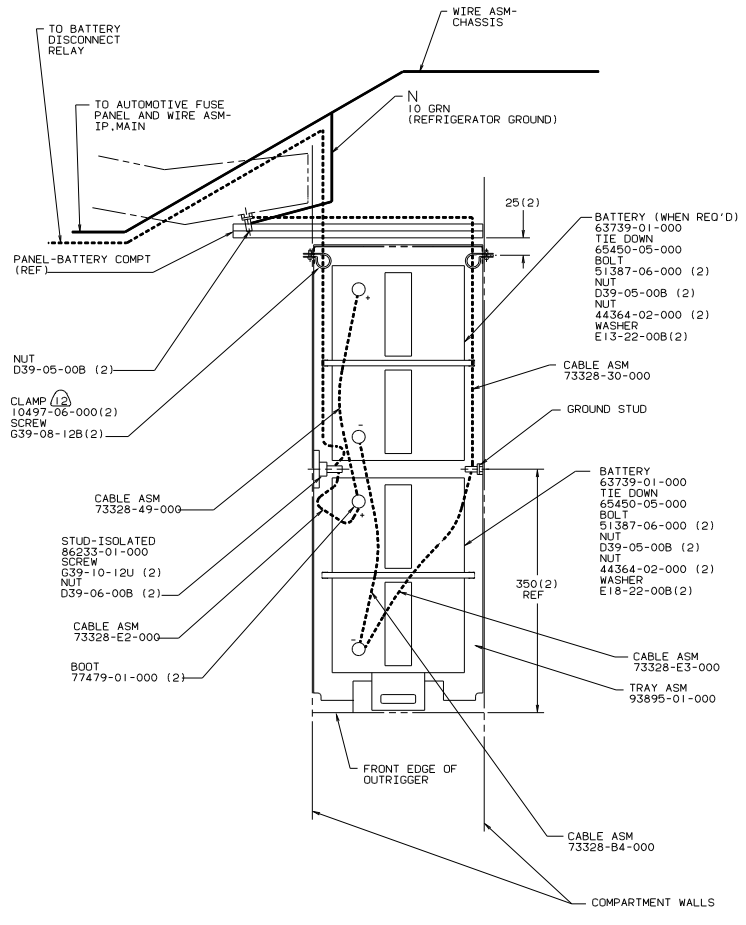


- ⑭ TRIM CHASSIS BATTERY CABLE TO 2200 MM.
- ⑬ ALL DIMENSIONS ARE FROM DATUM UNLESS OTHERWISE SPECIFIED.
- ⑫ CLAMP SHALL BE LOCATED 25 MINIMUM ABOVE BACK EDGE OF COMPARTMENT.
- ⑪ WIRE ASM DROP AND COMPARTMENT LAMP, NOT USED ON ITASCA.
- ⑩ USE GROMMET 71015-17-000 WHERE WIRES PASS THRU COMPARTMENT WALL.
- ⑨ SUPPLIED WITH CHASSIS.
- ⑧ CLAMP 83610-01-000(7), SCREW G39-08-12B(7).
- ⑦ CLAMP 10497-02-000(2), SCREW G39-08-12B(7).
- ⑥ CLAMP 10494-04-000(3), SCREW G39-08-12B(3).
- ⑤ CLAMP 83609-01-000(7), SCREW G39-08-08B(7).
- ④ INCLUDE GM BRAKE LAMP, WIRE HARNESS WITH WIRE ASM-CHASSIS FROM HERE TO FRONT.
- ③ COVER AUX BATTERY CABLE AND TAIL LAMP WIRE ASM WITH CONDUIT 41953-10-000. TIE EVERY 150 WITH 8343-02-000.
- 2. SECURE CONDUIT 41953-09-000, 41953-10-000 & 41953-11-000 OVER ALL WIRES IN CONTACT WITH SHARP EDGES.
- 1. LEGEND: — WINNEBAGO WIRING, - - - CABLE, - - - - CHASSIS SUPPLIED WIRING.

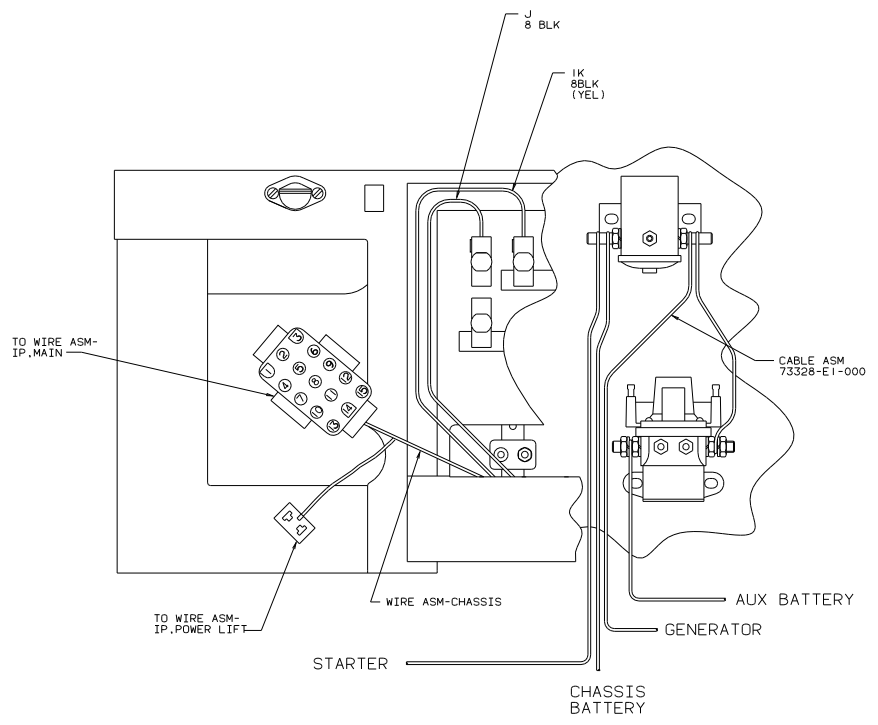
NOTES:

CHEVY

WINNEBAGO		90 W/1CN31RD
QTY IN	UNSPECIFIED TOLERANCES ARE:	MATERIAL:
CHRP	WHOLE DIM (IN)	
F.P.E	ONE-PLACE (IN.XI)	
M.E	TWO-PLACE (IN.XXX)	
CONP	THIRD ANGLE PROJECTION	
TITLE: WIRING INSTL-CHASSIS		
DIA #	SCALE: 1:1	30 NET SCALE DRAWING
ALL DIMENSIONS ARE IN MILLIMETERS	SHEET 1 OF 3	97324



DETAIL B
SCALE: .1



SECTION A-A
SCALE: .8

TITLE: WIRING INSTL-CHASSIS	
30 NET SCALE Drawing	REV 1 E
SHEET 3 of 3	97324