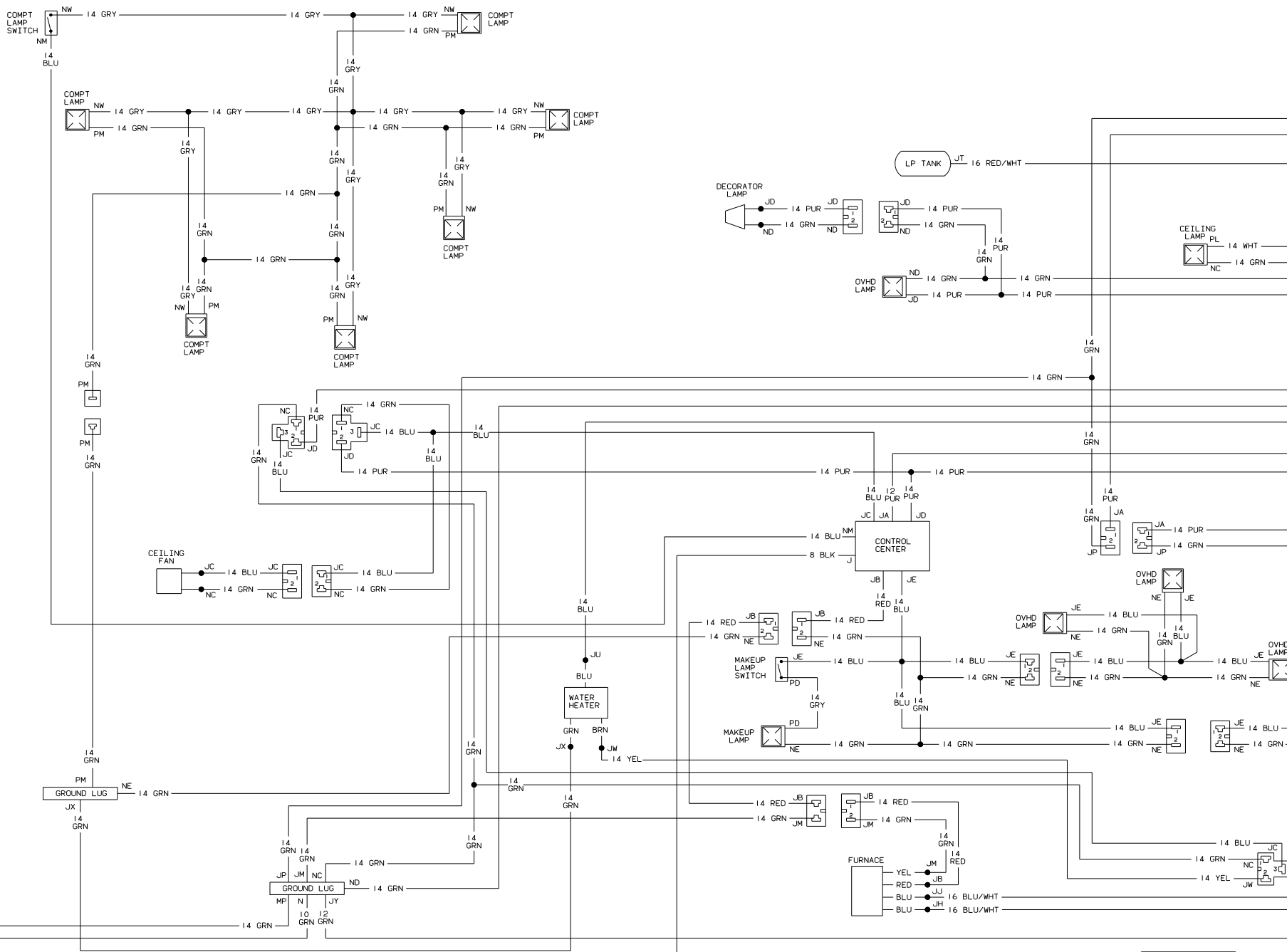
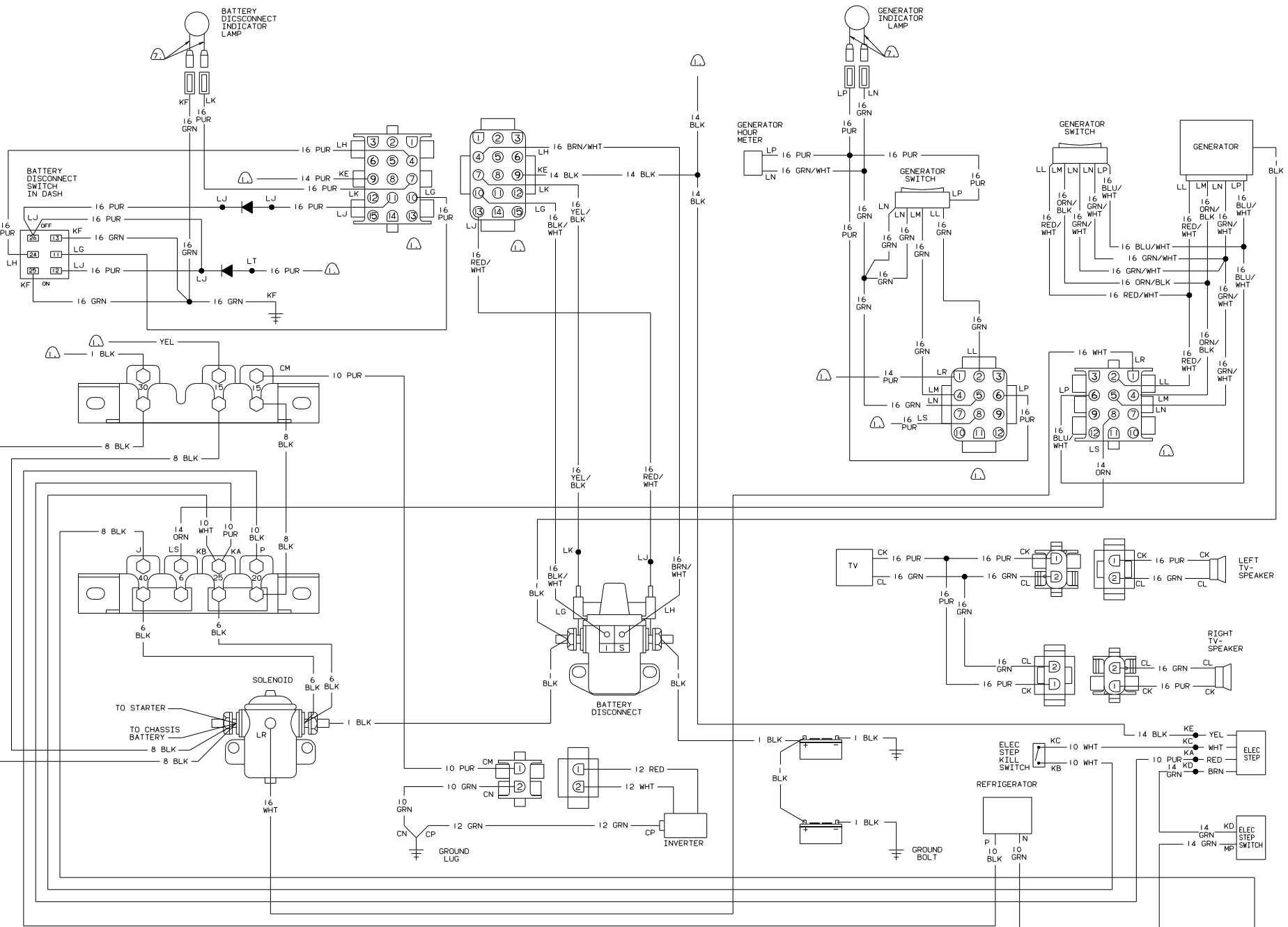


WINNEBAGO 90 W/1CM27RD

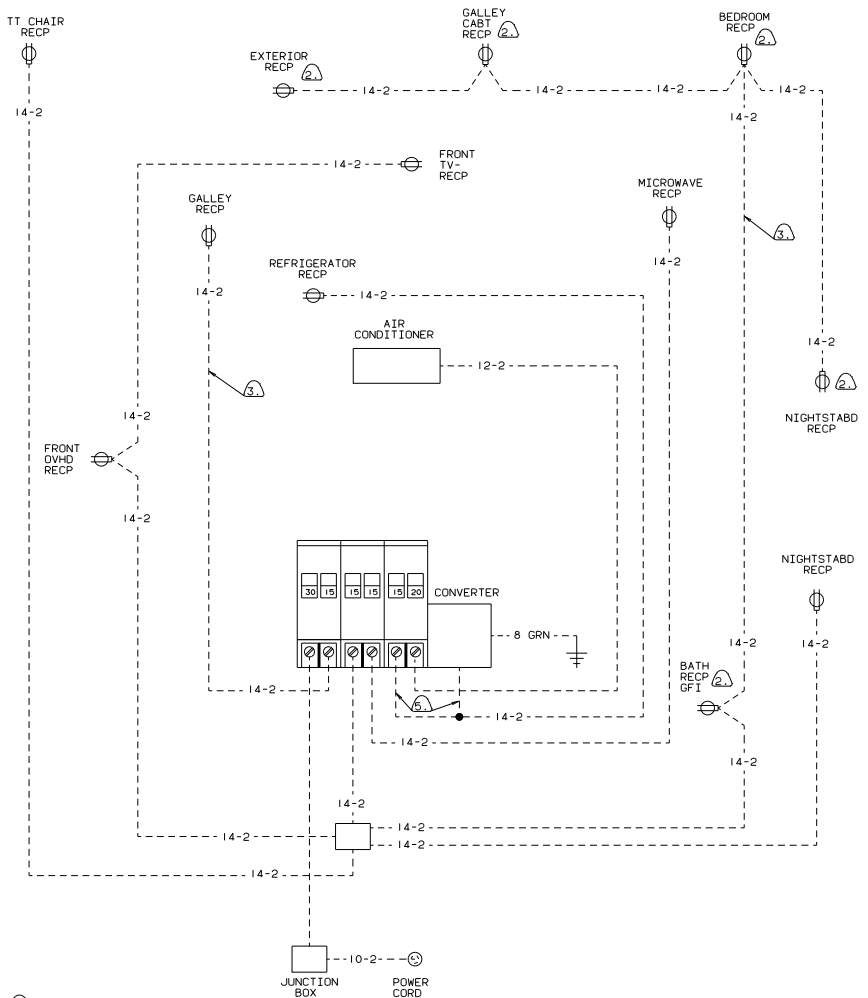
OPTN	UNSPECIFIED TOLERANCES ARE:	MATERIAL
CHOP	FRAMES ORN (1/2)	
PLATE	ONE-PLATE (1/2 X 1)	
PLATE	TWO-PLATE (1/2 X 1.5)	
PLATE	ANGLE	
CORR	TRUSS ANGLE	
	PROTECTION	

DATE: _____
 DRAWN BY: _____
 CHECKED BY: _____
 TITLE: **WIRING DIAGRAM-BODY**
 SHEET 1 OF 1
 96323



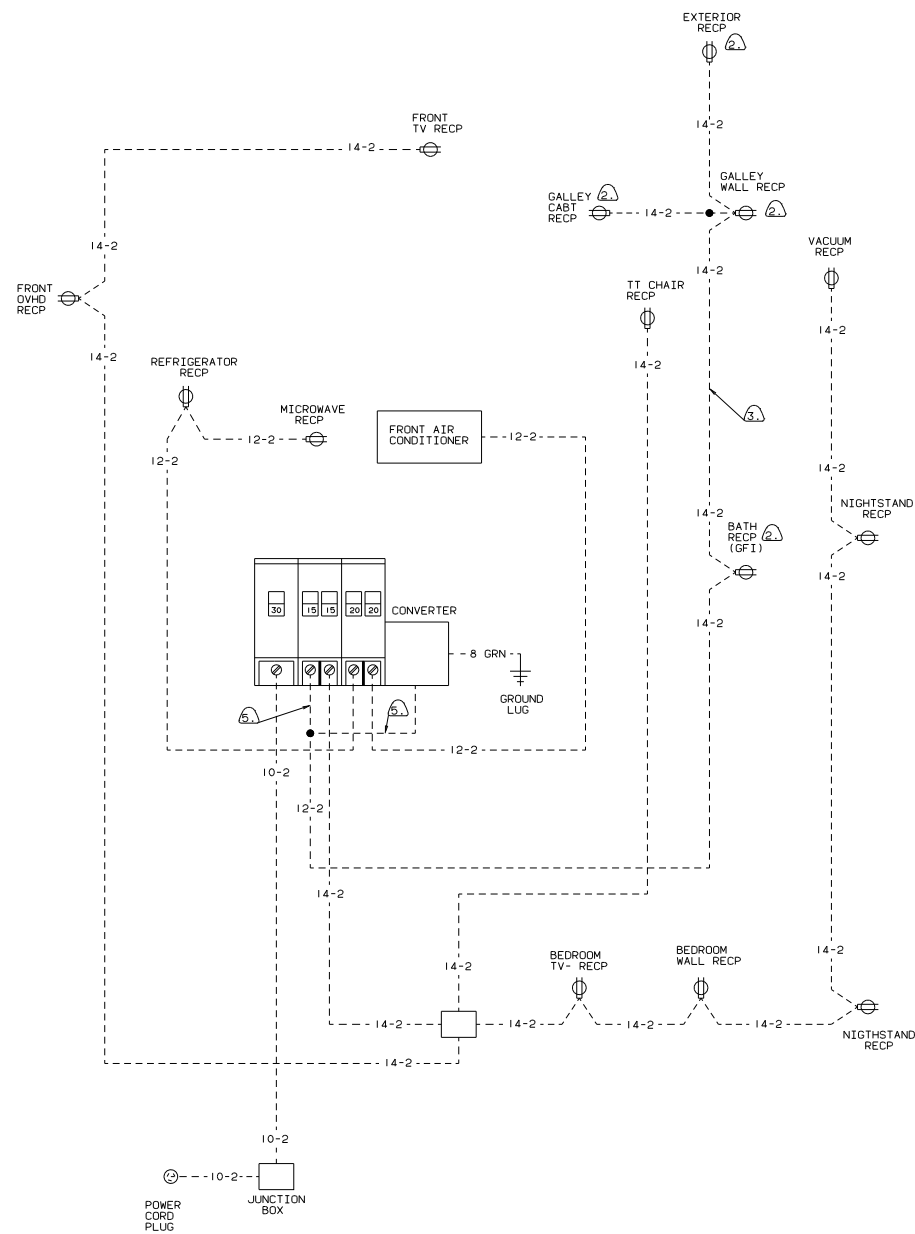


H
G
F
E
D
C
B
A



- ⑦ SUPPLIED WITH WIRE ASSEMBLY.
- ⑥ SEE DRAWING 84358-01-000 WIRING DIAGRAM-MONITOR PANEL FOR ADDITIONAL WIRING.
- ⑤ LEAD SUPPLIED WITH CONVERTER.
- ④ CONNECT TO MONITOR PANEL.
- ③ WIRE ROUTED IN FLOOR.
- ② PROTECTED BY GROUND FAULT INTERRUPTER BREAKER.
- ① SEE DRAWING 91112-01-000 WIRING DIAGRAM-AUTOMOTIVE FOR ADDITIONAL WIRING.

(CAN 110V WIRING)



(US 110V WIRING)