

UNIT	SHEET
US	1, 2, 3, 7, 8, 9, 10, 11
CAN	4, 5, 6, 7, 8, 9, 10, 11

DETAIL B
 ROTATED 180°

110V WIRING-US

- ⑦ ROUTED THRU FLOOR.
- ⑥ INSTALL RECEPTACLE WITH GROUND TOWARD OUTBOARD SIDE OF VEHICLE.
- ⑤ SEAL WITH BEDDING COMPOUND 69639-01-000.
- ④ USE WITH GENERATOR ONLY.
- 3. ALL GROUND WIRES TO BE COVERED WITH TUBING 8041-02-000.
- 2. ALL 110V WIRES ARE TO BE CLAMPED WITH CLAMP 10497-05-000 WITHIN 200 OF OUTLET BOXES. USE SCREW G67-10-12B.
- 1. ALL WIRES TO BE CLAMPED WITH CLAMP 10495-01-000 OR CLIP 80734-01-000 EVERY 1220. USE SCREW G67-10-12B UNLESS OTHERWISE SPECIFIED.

NOTES:

WINNEBAGO '90 W/1F327RT

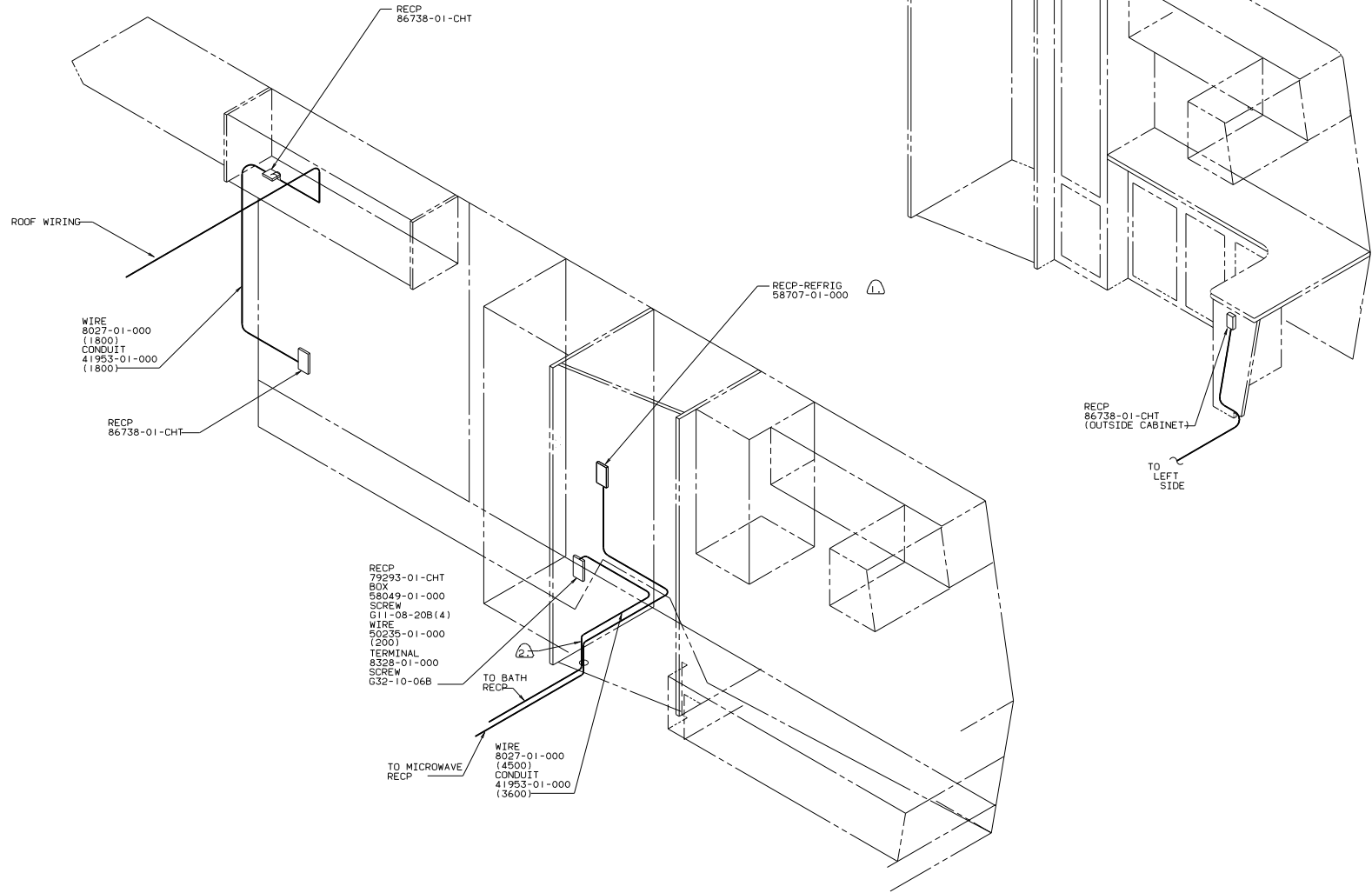
UNSPECIFIED TOLERANCES ARE: MATERIAL, HOLE DIM (H), ONE-PLACE (H, X), TWO-PLACE (H, X), HOLE, HOLE PROJECTION

LAND NONE TITLE: WIRING INSTALLATION-BODY

DIA # SCALE: 1:10 30 NET SCALE DRAWING

ALL DIMENSIONS ARE IN MILLIMETERS SHEET 1 OF 11

WINN 96140

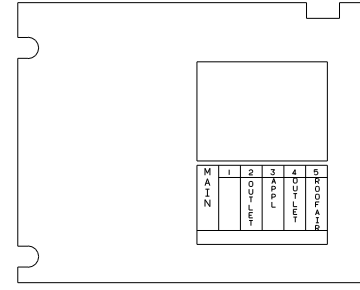
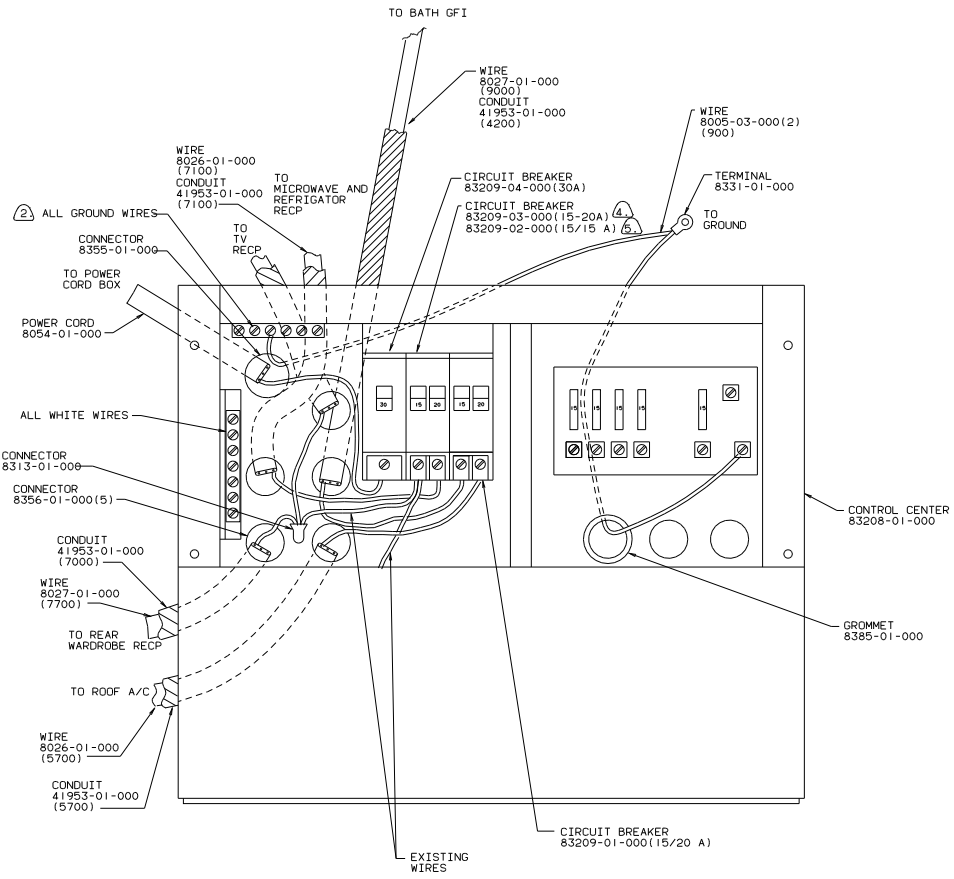


2.3 ROUTED THRU FLOOR.
 1. LOCATE TOP OF REFRIGERATOR RECP 100 ABOVE SHELF.

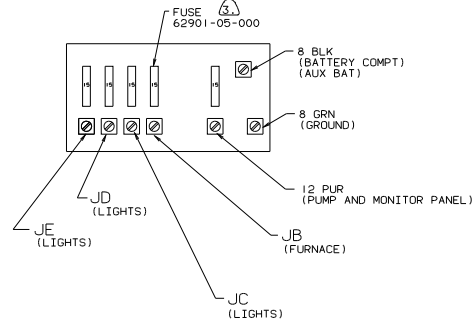
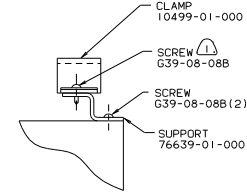
NOTES:

110V WIRING-US

TITLE		WIRING INSTALLATION-BODY	
30-MIL SCALE DRAWING	SIZE	11	11
SHEET	2	OF	11
DES. NO.	96140		



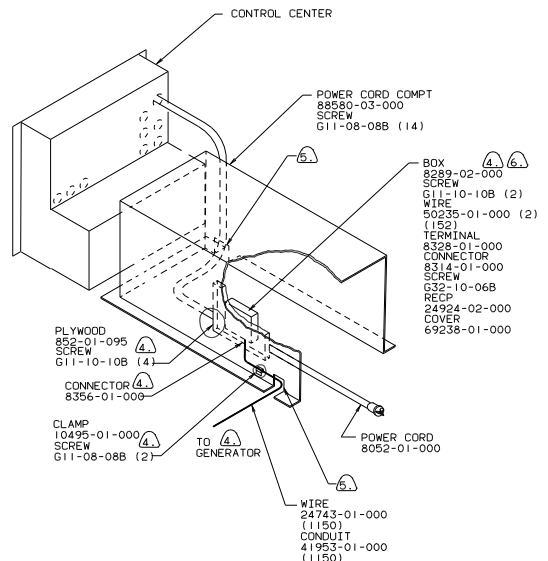
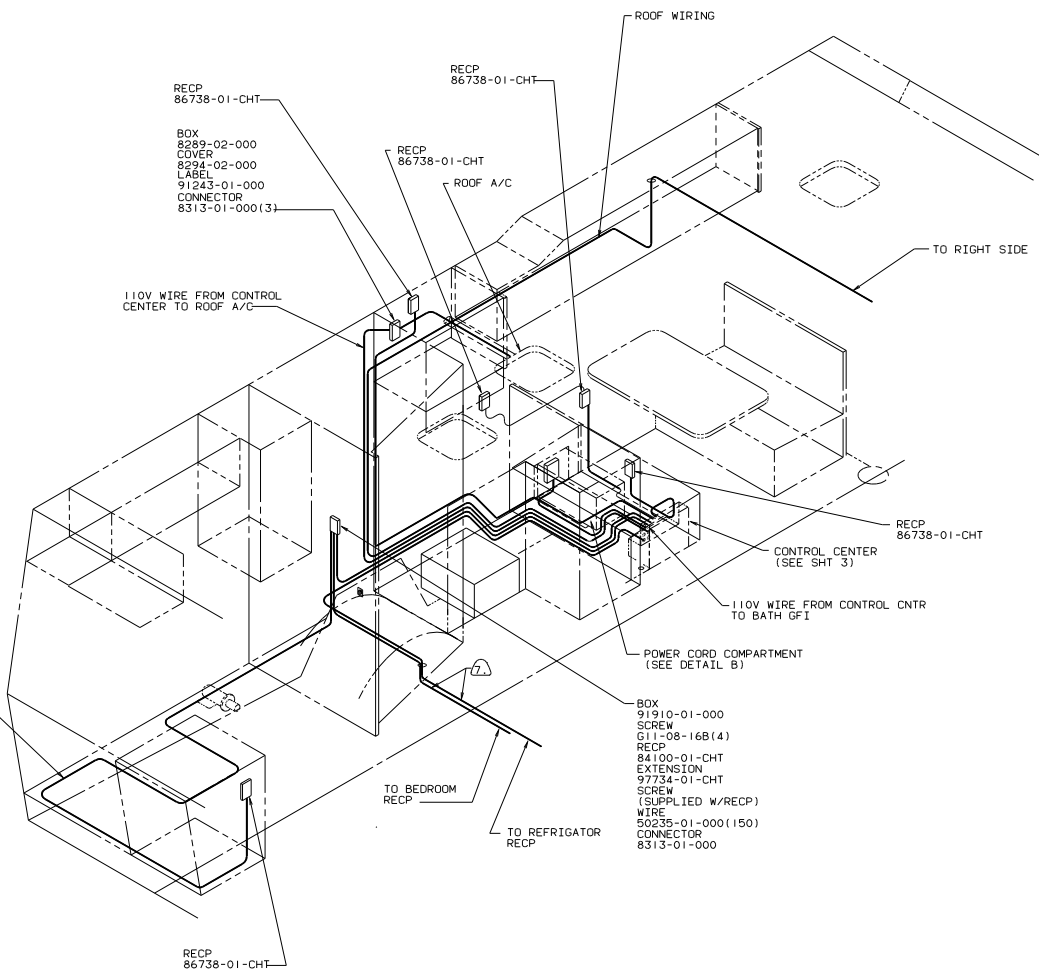
PANEL-COVER



- ⑤ USE WITHOUT MICROWAVE.
- ④ USE WITH MICROWAVE.
- ③ FUSES SUPPLIED WITH CONTROL CENTER.
- ② ALL GROUND WIRES TO BE COVERED WITH TUBING 8041-02-000.
- ① FASTEN ALL WIRES TO SUPPORT, USE ONE SCREW AND CLAMP, PER WIRE.

CONTROL CENTER-US

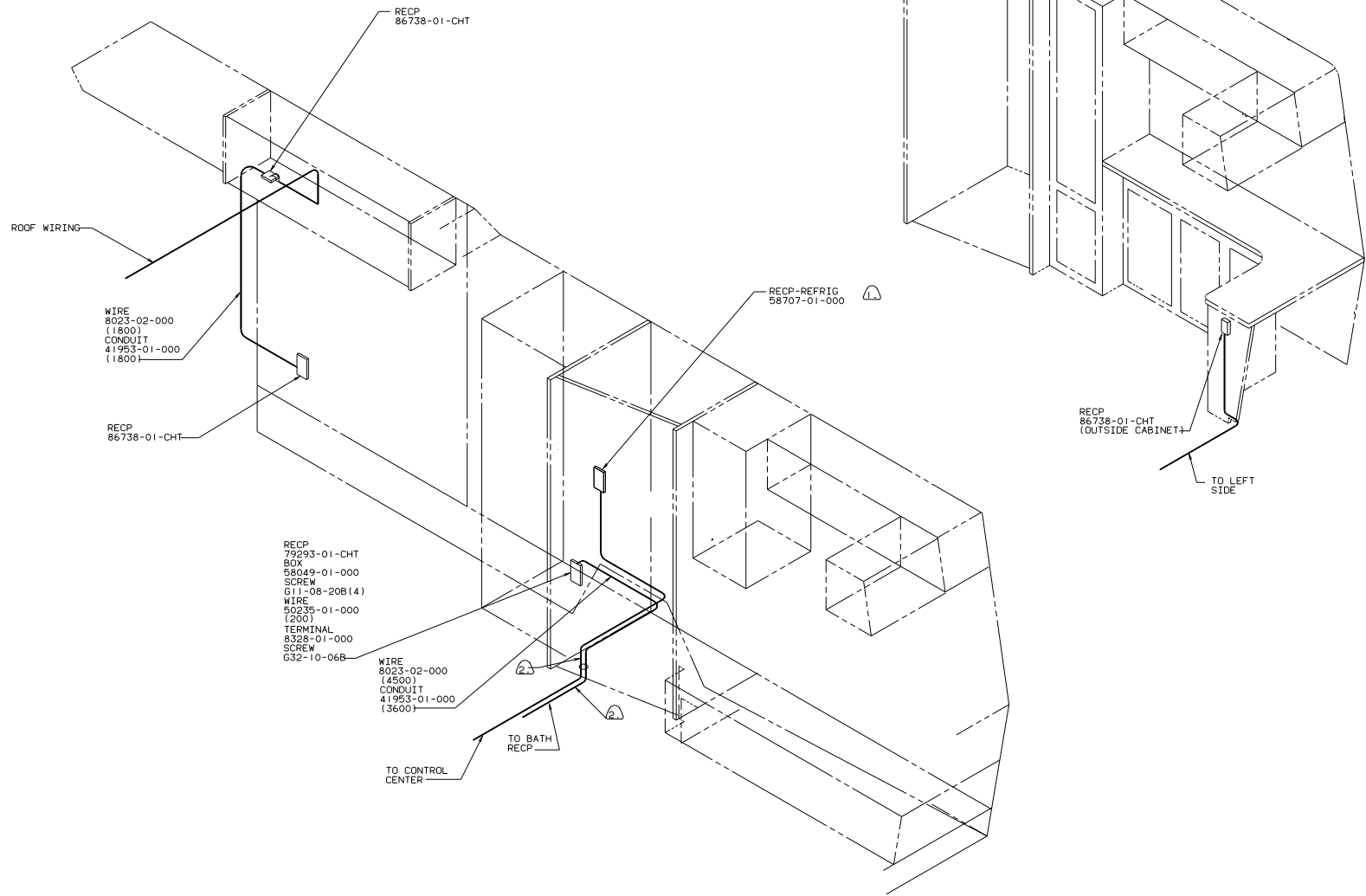
TITLE: WIRING INSTALLATION-BODY		REV: 1	DATE: 11/01/09
30 NET SCALE DRAWING	SHEET 3 OF 11	DESIGNER: J.E.	96140
REF: 92177			



- ⑦ ROUTED THRU FLOOR.
 - ⑥ INSTALL RECEPTACLE WITH GROUND TOWARD OUTBOARD SIDE OF VEHICLE.
 - ⑤ SEAL WITH BEDDING COMPOUND 69639-01-000.
 - ④ USE WITH GENERATOR ONLY.
3. ALL GROUND WIRES TO BE COVERED WITH TUBING 8041-02-000.
 2. ALL 110V WIRES ARE TO BE CLAMPED WITH CLAMP 10497-05-000 WITHIN 200 OF OUTLET BOXES. USE SCREW G67-10-12B.
 1. ALL WIRES TO BE CLAMPED WITH CLAMP 10495-01-000 OR CLIP 80734-01-000 EVERY 1220. USE SCREW G67-10-12B UNLESS OTHERWISE SPECIFIED.

110V WIRING-CAN

TITLE		WIRING INSTALLATION-BODY	
30	NO. SCALE	4	OF 11
1	FIG. NO.	1	FIG. NO.
		96140	

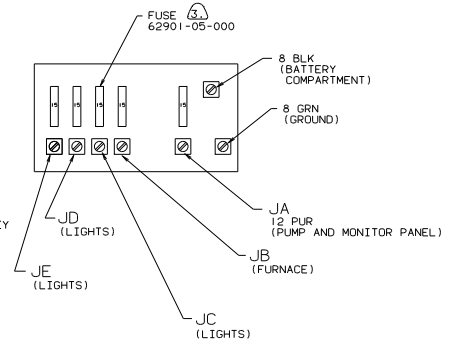
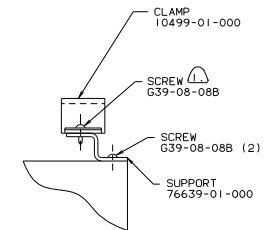
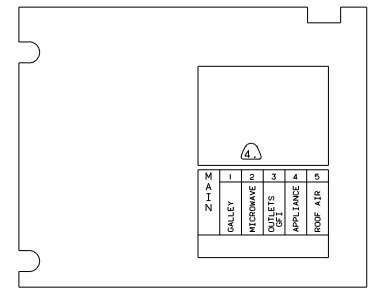
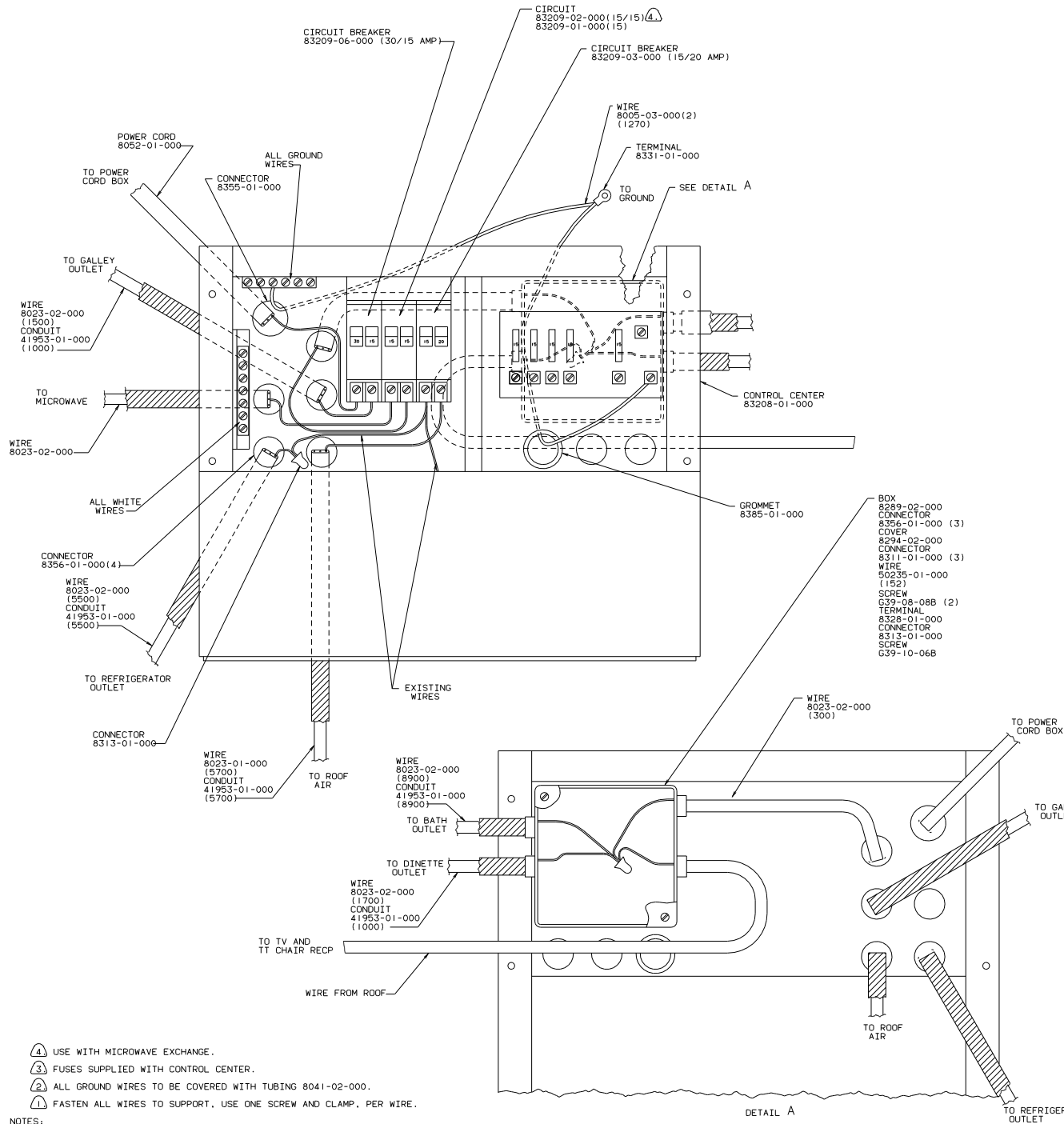


② ROUTED THRU FLOOR.
1. LOCATE TOP OF REFRIGERATOR RECP 100 ABOVE SHELF.

NOTES:

110V WIRING-CAN

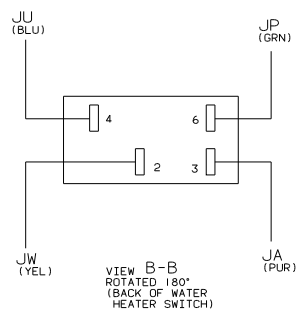
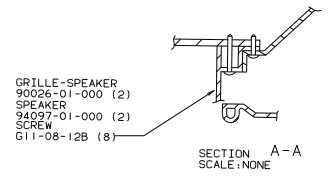
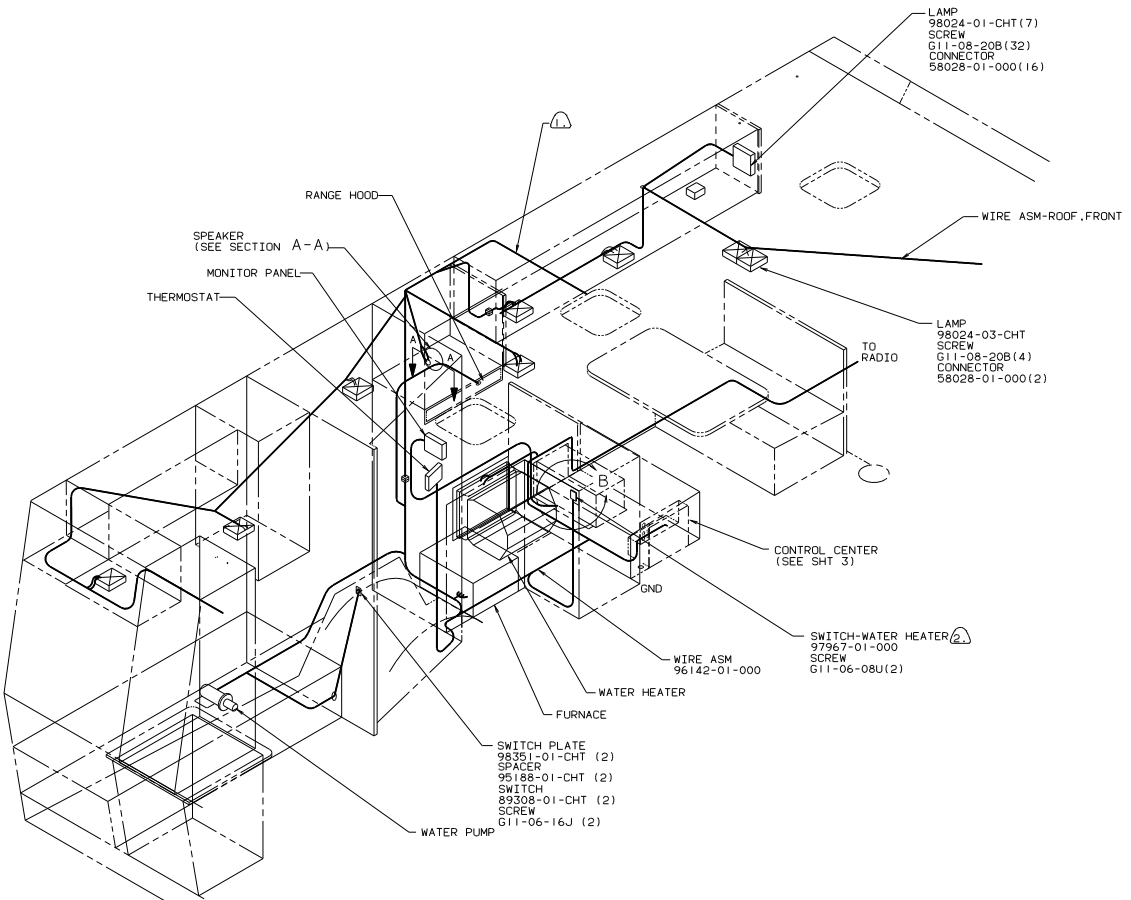
TITLE		WIRING INSTALLATION-BODY	
DO NOT SCALE DRAWING	SHEET	5	OF 11
DATE	NO.	1.1	96140



- ④ USE WITH MICROWAVE EXCHANGE.
- ③ FUSES SUPPLIED WITH CONTROL CENTER.
- ② ALL GROUND WIRES TO BE COVERED WITH TUBING 8041-02-000.
- ① FASTEN ALL WIRES TO SUPPORT, USE ONE SCREW AND CLAMP, PER WIRE.

CONTROL CENTER-CAN

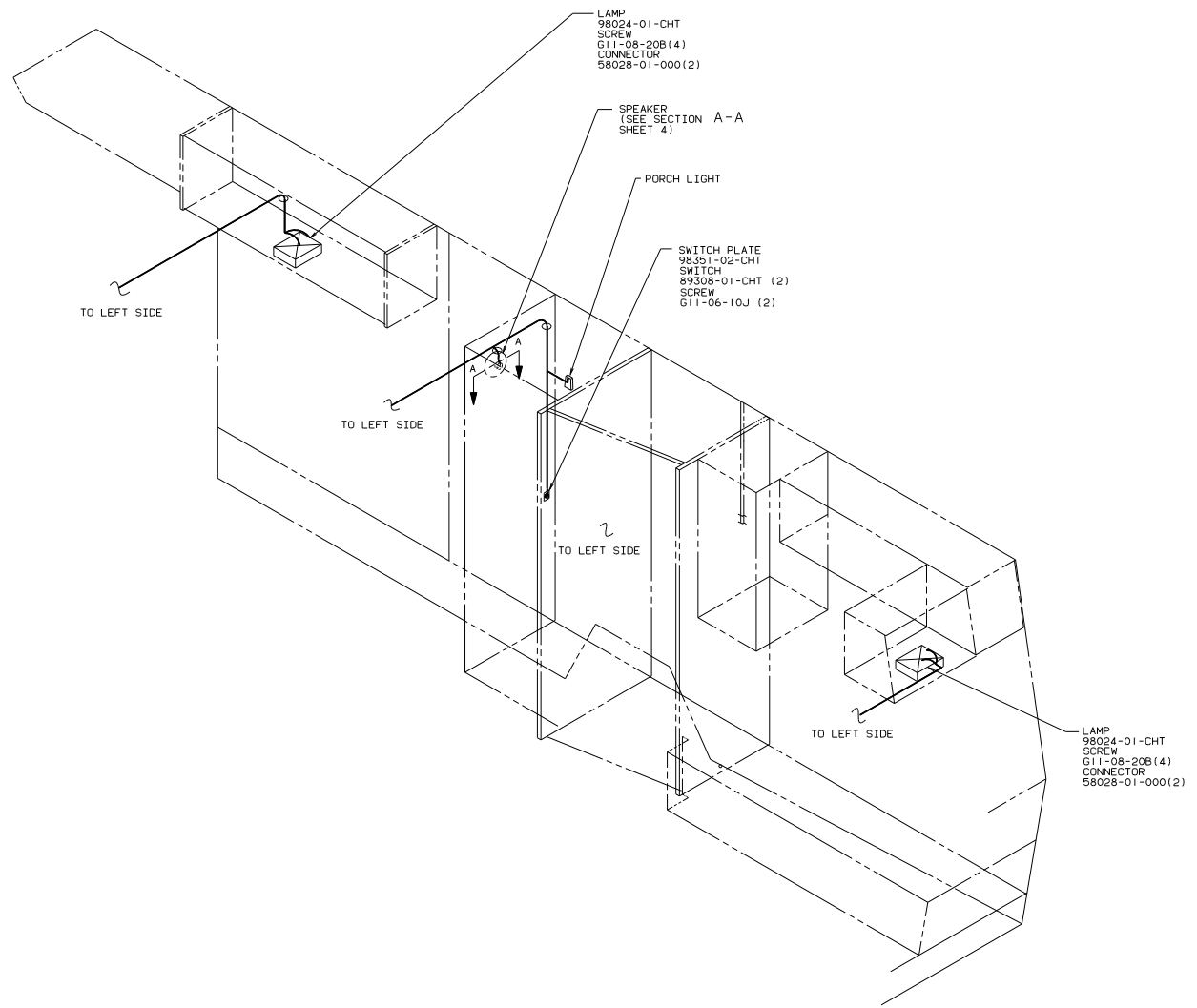
FILE	WIRING INSTL-BODY (CAN)
DO NOT SCALE DRAWING	DATE
SHEET 6 OF 11	1 E 1
	96140



- Ⓐ REQUIRED WITH ELECTRONIC WATER HEATER.
- Ⓐ WIRE ASM 92435-01-000 FOR CEILING FAN.

12V WIRING-US/CAN

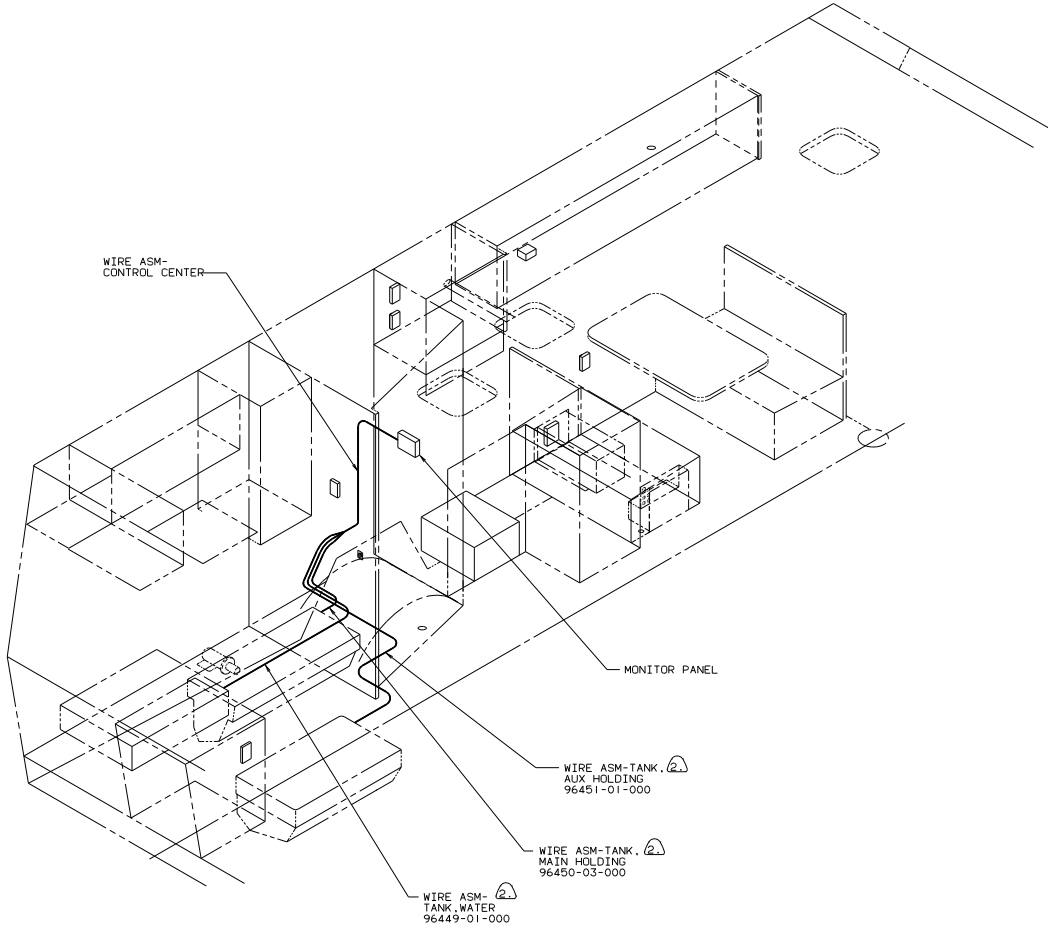
TITLE		96140	
WIRING INSTALLATION-BODY			
DO NOT SCALE DIMENSIONS	1/32"	REV	
SHEET 7 of 11	1	DATE	



12V WIRING-US/CAN

TITLE		WIRING INSTALLATION-BODY	
DO NOT SCALE DRAWING	SHEET	8 OF 11	FIG NO 96140

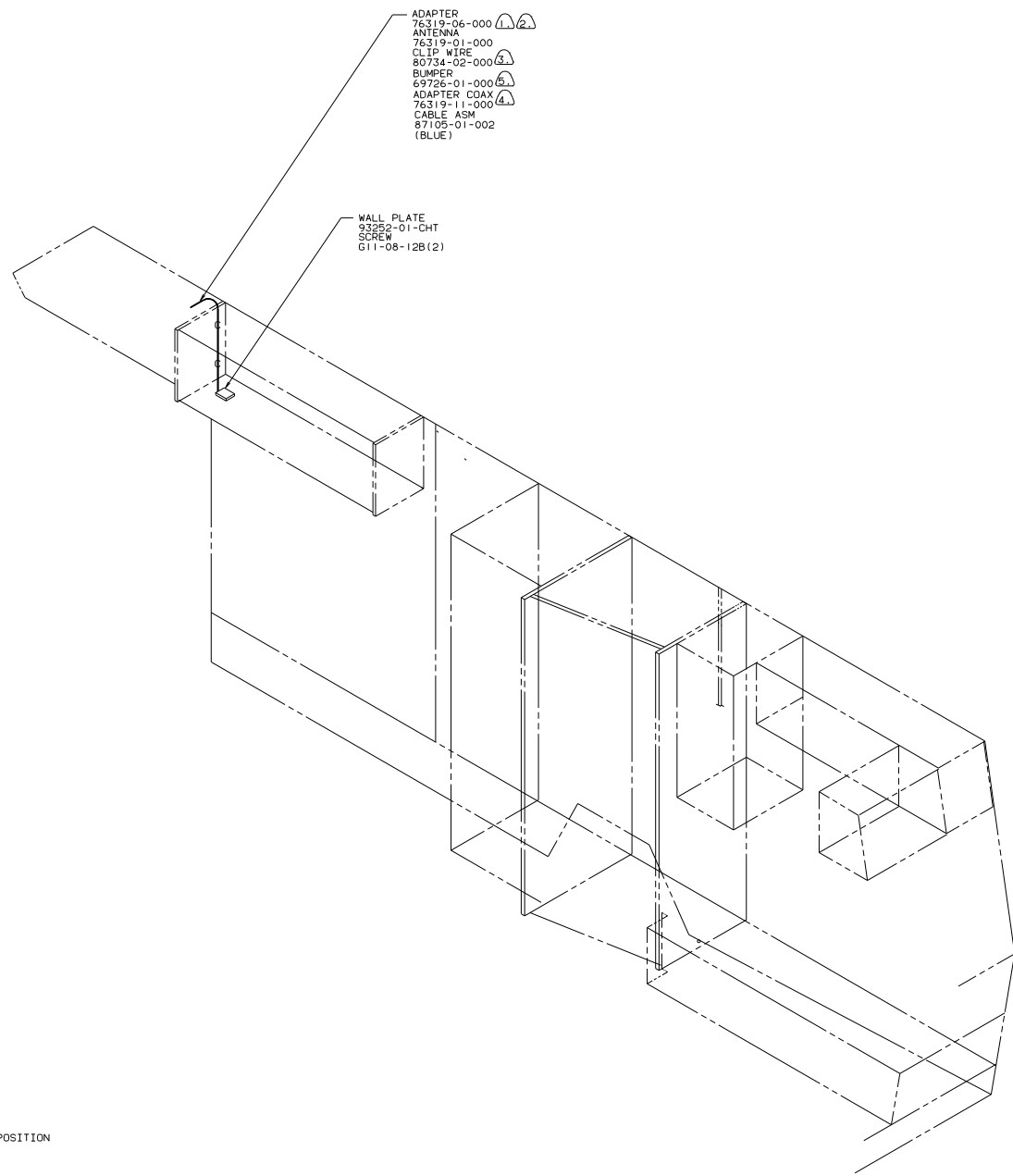
H
G
F
E
D
C
B
A



- (2) SEE DRAWING 72789-01-000 FOR MONITOR PANEL SENSOR INSTALLATION.
1. SEE DRAWING 89062-01-000 WIRING DIAGRAM-MONITOR PANEL FOR MONITOR WIRING.

MONITOR PANEL WIRING

TITLE		WIRING INSTALLATION-BODY	
30 NET SCALE Drawing	FIG	1	1
SHEET	9	OF	11
Dwg No			96140

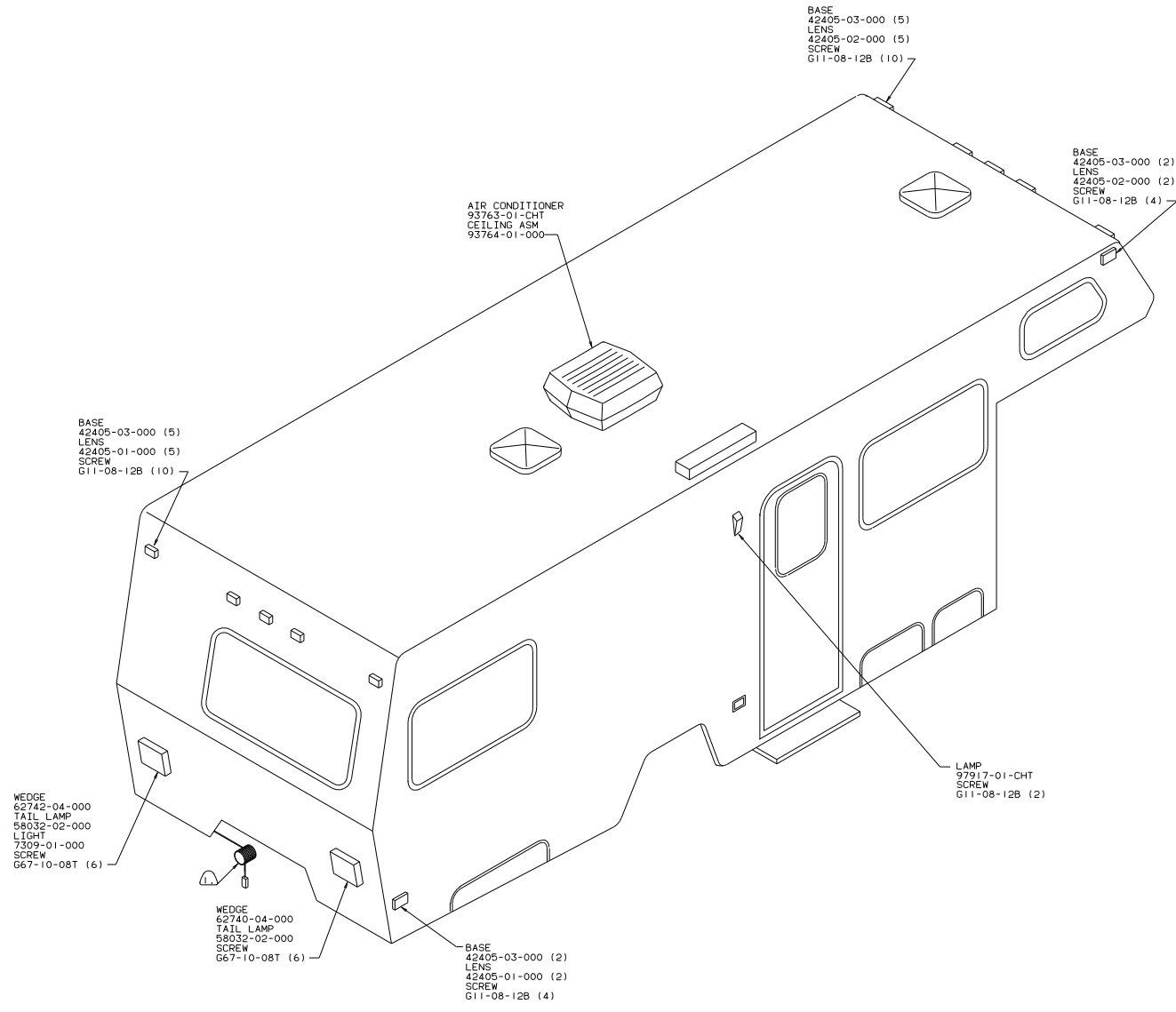


- 5 ADD RUBBER BUMPER TO ROOF UNDER EACH END OF ANTENNA IN DOWN POSITION WHICH MAY COME INTO CONTACT WITH ROOF.
- 4 ADAPTER-COAX SUPPLIED LOOSE IN VEHICLE.
- 3 LOCATE TO RETAIN CABLE BUT ONT TO RESTRICT ANTENNA TRAVEL.
- 2 USE WITH TELEVISION EXCHANGE ONLY.
- 1 SEE DRAWING 76319-01-000 FOR INSTALLATION OF TV ANTENNA.

NOTES:

COXIAL WIRING

TITLE		96140	
WIRING INSTALLATION-BODY			
DO NOT SCALE DRAWING	SHEET	OF	TOTAL SHEETS
	10	OF	11
DATE		REV	
		1	



BASE
42405-03-000 (5)
LENS
42405-01-000 (5)
SCREW
G11-08-12B (10)

AIR CONDITIONER
93763-01-CHT
CEILING ASM
93764-01-000

BASE
42405-03-000 (5)
LENS
42405-02-000 (5)
SCREW
G11-08-12B (10)

BASE
42405-03-000 (2)
LENS
42405-02-000 (2)
SCREW
G11-08-12B (4)

WEDGE
62742-04-000
TAIL LAMP
58032-02-000
LIGHT
7309-01-000
SCREW
G67-10-08T (6)

WEDGE
62740-04-000
TAIL LAMP
58032-02-000
SCREW
G67-10-08T (6)

BASE
42405-03-000 (2)
LENS
42405-01-000 (2)
SCREW
G11-08-12B (4)

LAMP
97917-01-CHT
SCREW
G11-08-12B (2)

1. COIL BRANCH (TRAILER PLUG HOUSING) AND SECURE TO CHASSIS RAIL WITH CLAMP 10495-01-000, SCREW G67-10-12B.

NOTES:

EXTERIOR LIGHTING

TITLE		96140	
WIRING INSTALLATION-BODY			
DO NOT SCALE DRAWING	SHEET 11 OF 11	FILE NO	96140
REF: 92177			