

- BOX <sup>(7)</sup>
- 93603-01-000
- COVER
- 53337-01-000
- LABEL
- 91243-01-000
- SCREW
- G11-08-12B(2)
- G32-10-06B
- WIRE
- 50235-01-000(150)
- TERMINAL
- 8328-01-000
- CONNECTOR
- 8311-01-000(3)
- 8356-01-000

110V WIRE FROM CONTROL CENTER TO ROOF A/C  
WIRE ASM  
85913-01-000  
CONTROL CENTER TO CEILING FAN

VENT OR AIR CONDITIONER EXCHANGE

WIRE ASM-ROOF,FRONT

- LIGHT 98024-01-000 (3)
- SCREW G11-08-20B (12)
- CONNECTOR 58028-01-000 (6)

- LIGHT 98024-03-000
- SCREW G11-08-12B (6)
- CONNECTOR 58028-01-000 (2)

WIRE ASM-ROOF,REAR

RECP <sup>(5)</sup>  
86738-01-CHT

WATER TANK

WATER PUMP

WIRE ASM-MONITOR  
89059-04-000  
(WATER TANK)<sup>(4)</sup>

BOX ASM-POWER CORD  
97216-01-XXX

- BOX <sup>(8)</sup>
- 8289-01-000
- SCREW G11-10-10B(2)
- RECP 24924-02-000
- COVER 69238-01-000
- TERMINAL 8328-01-000
- PLYWOOD 852-51-047 (102 X 152)

FURNACE

THERMOSTAT

RECP 84100-01-CHT  
BOX 8288-01-000  
COVER 84099-01-CHT  
SCREW G13-07-10T (4)

CONTROL CENTER (SEE SHT 3)

WIRE ASM-CONTROL CENTER  
84686-01-000

TO GENERATOR

DETAIL B

POWER CORD

TO MONITOR PANEL

TO RIGHT SIDE

- WIRE 8022-01-000 (3300)
- CONDUIT 41953-01-000 (3300)

TO GENERATOR

WHEELWELL REF

POWER CORD (TO CONTROL CENTER)

DETAIL B  
SCALE: 0.2

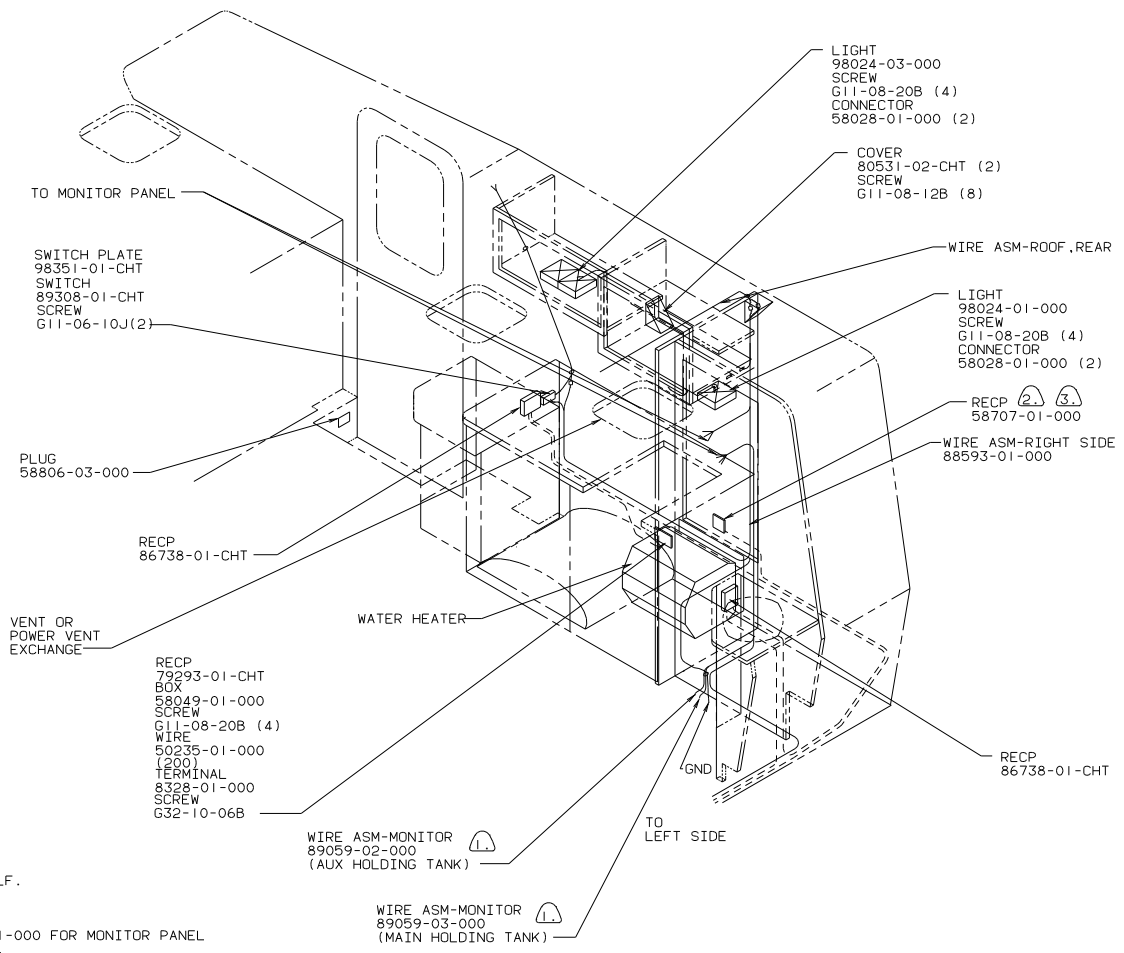
LEGEND

— 12 V WIRING  
- - - 110 V WIRING

- <sup>(8)</sup> USE ONLY WITH GENERATOR.
  - <sup>(7)</sup> USE WITHOUT ROOF A/C.
  - <sup>(6)</sup> INSTALL RECEPTACLE WITH GROUND TOWARD OUTBOARD SIDE OF VEHICLE.
  - <sup>(5)</sup> LOCATE RECP 350 ABOVE SHELF.
  - <sup>(4)</sup> SEE DRAWING 72789-01-000 FOR MONITOR PANEL SENSOR INSTALLATION.
3. ALL GROUND WIRES TO BE COVERED WITH TUBING 8041-02-000.
  2. ALL 110 V WIRES ARE TO BE CLAMPED WITH CLAMP 10497-05-000 WITHIN 200 OF OUTLET BOXES,USE SCREW G67-10-12B.
  1. ALL WIRES TO BE CLAMPED WITH CLAMP 10495-01-000 OR CLIP 80734-01-000 EVERY 1220,USE SCREW G67-10-12B UNLESS OTHERWISE SPECIFIED.

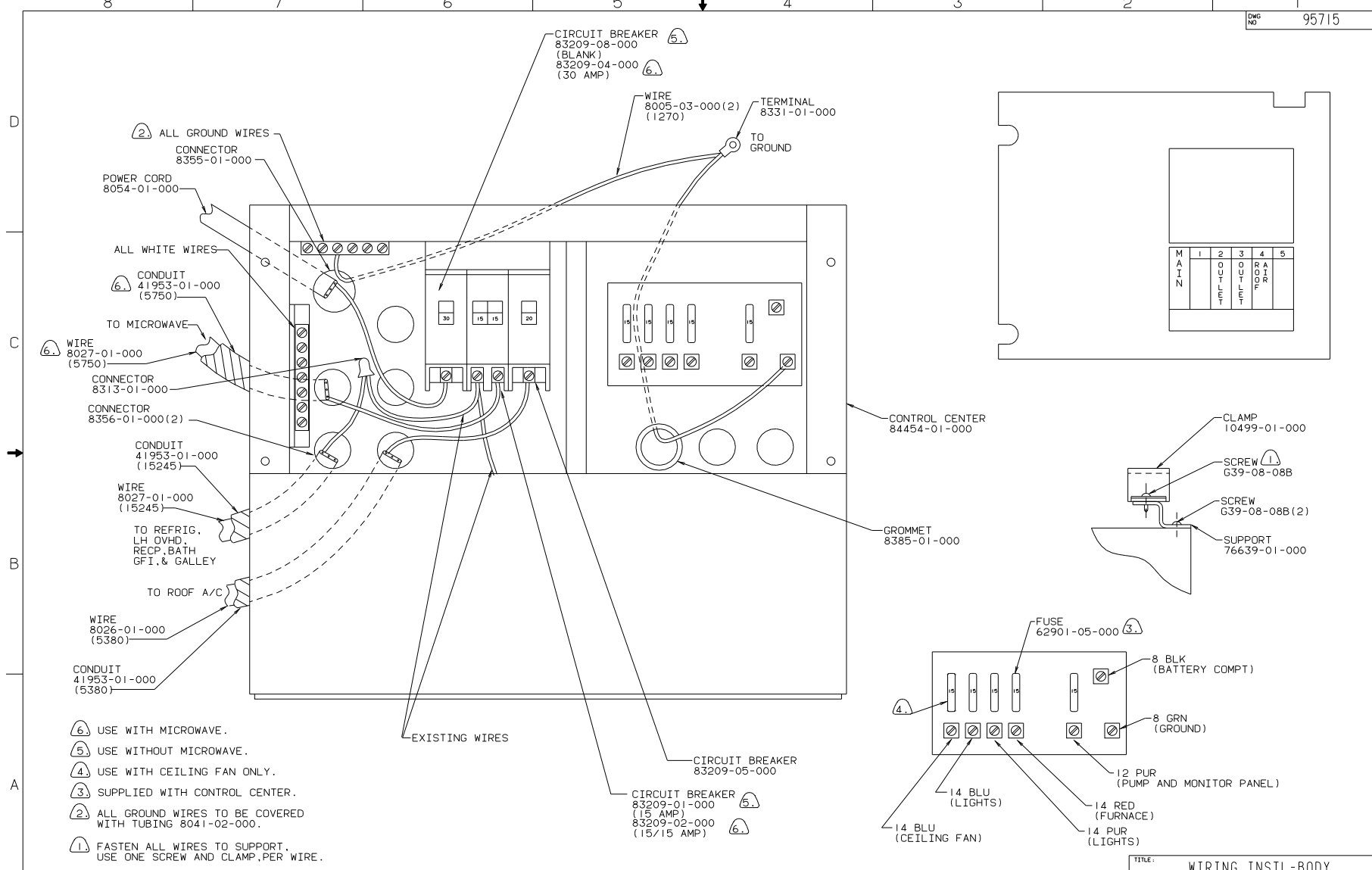
NOTES:

WINNEBAGO '90 W/IT319RB	
OFTR	UNSPECIFIED TOLERANCES ARE:
CHDR	WHOLE DIM (X, Y, Z) ±
P/E	ONE-PLACE (X, Y, Z) ±
H/E	TWO-PLACE (X, Y, Z) ±
DNDR	ANGLE
	THIRD ANGLE PROJECTION
LAYOUT NO. LMC100	TITLE: WIRING INSTL-BODY
DIA #	SCALE: 1/10
ALL DIMENSIONS ARE IN MILLIMETERS	SHEET 1 OF 4
REF: 88592 1	NO 95715

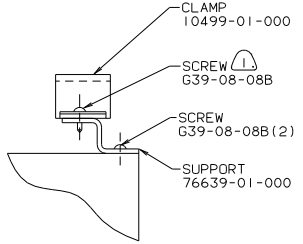


- NOTES:
- (3) LOCATE 30 ABOVE SHELF.
  - (2) USE WITH MICROWAVE.
  - (1) SEE DRAWING 72789-01-000 FOR MONITOR PANEL SENSOR INSTALLATION.

TITLE:		WIRING INSTL-BODY	
DO NOT SCALE DRAWING	SIZE	DWG NO	95715
SHEET	2 OF 4		

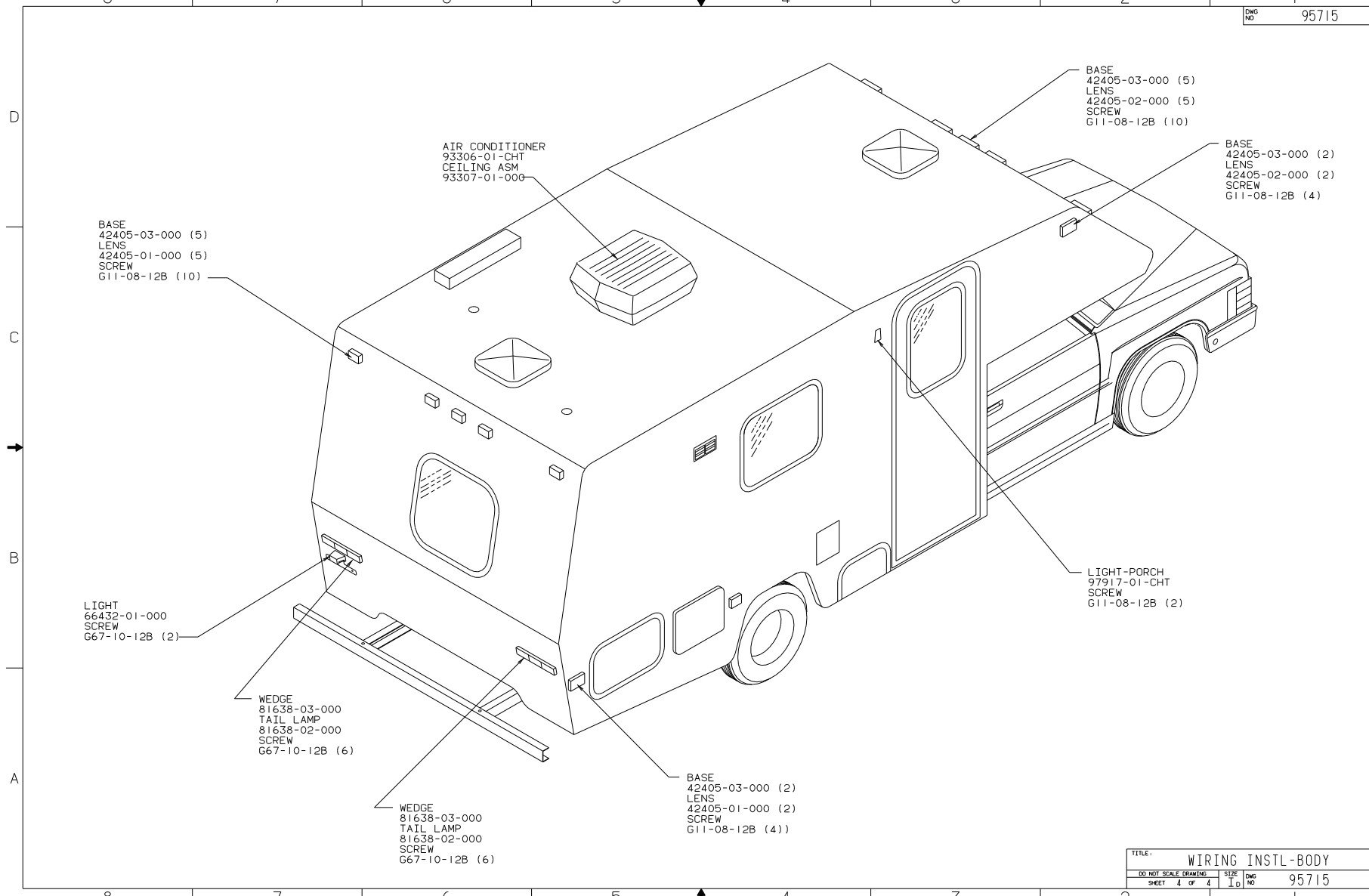


M	1	2	3	4	5
A	I	C	C	R	A
T	-	-	-	-	-
N					



- NOTES:
- ⑥ USE WITH MICROWAVE.
  - ③ USE WITHOUT MICROWAVE.
  - ④ USE WITH CEILING FAN ONLY.
  - ③ SUPPLIED WITH CONTROL CENTER.
  - ② ALL GROUND WIRES TO BE COVERED WITH TUBING 8041-02-000.
  - ① FASTEN ALL WIRES TO SUPPORT, USE ONE SCREW AND CLAMP, PER WIRE.

TITLE:		WIRING INSTL-BODY	
DO NOT SCALE DRAWING	SIZE	DWG NO	95715
SHEET	3 OF 4	I.D.	



BASE  
42405-03-000 (5)  
LENS  
42405-01-000 (5)  
SCREW  
G11-08-12B (10)

AIR CONDITIONER  
93306-01-CHT  
CEILING ASM  
93307-01-000

BASE  
42405-03-000 (5)  
LENS  
42405-02-000 (5)  
SCREW  
G11-08-12B (10)

BASE  
42405-03-000 (2)  
LENS  
42405-02-000 (2)  
SCREW  
G11-08-12B (4)

LIGHT  
66432-01-000  
SCREW  
G67-10-12B (2)

WEDGE  
81638-03-000  
TAIL LAMP  
81638-02-000  
SCREW  
G67-10-12B (6)

LIGHT-PORCH  
97917-01-CHT  
SCREW  
G11-08-12B (2)

WEDGE  
81638-03-000  
TAIL LAMP  
81638-02-000  
SCREW  
G67-10-12B (6)

BASE  
42405-03-000 (2)  
LENS  
42405-01-000 (2)  
SCREW  
G11-08-12B (4)

TITLE:		WIRING INSTL-BODY	
DO NOT SCALE DRAWING	SIZE	DWG NO	95715
SHEET 4 OF 4	10		