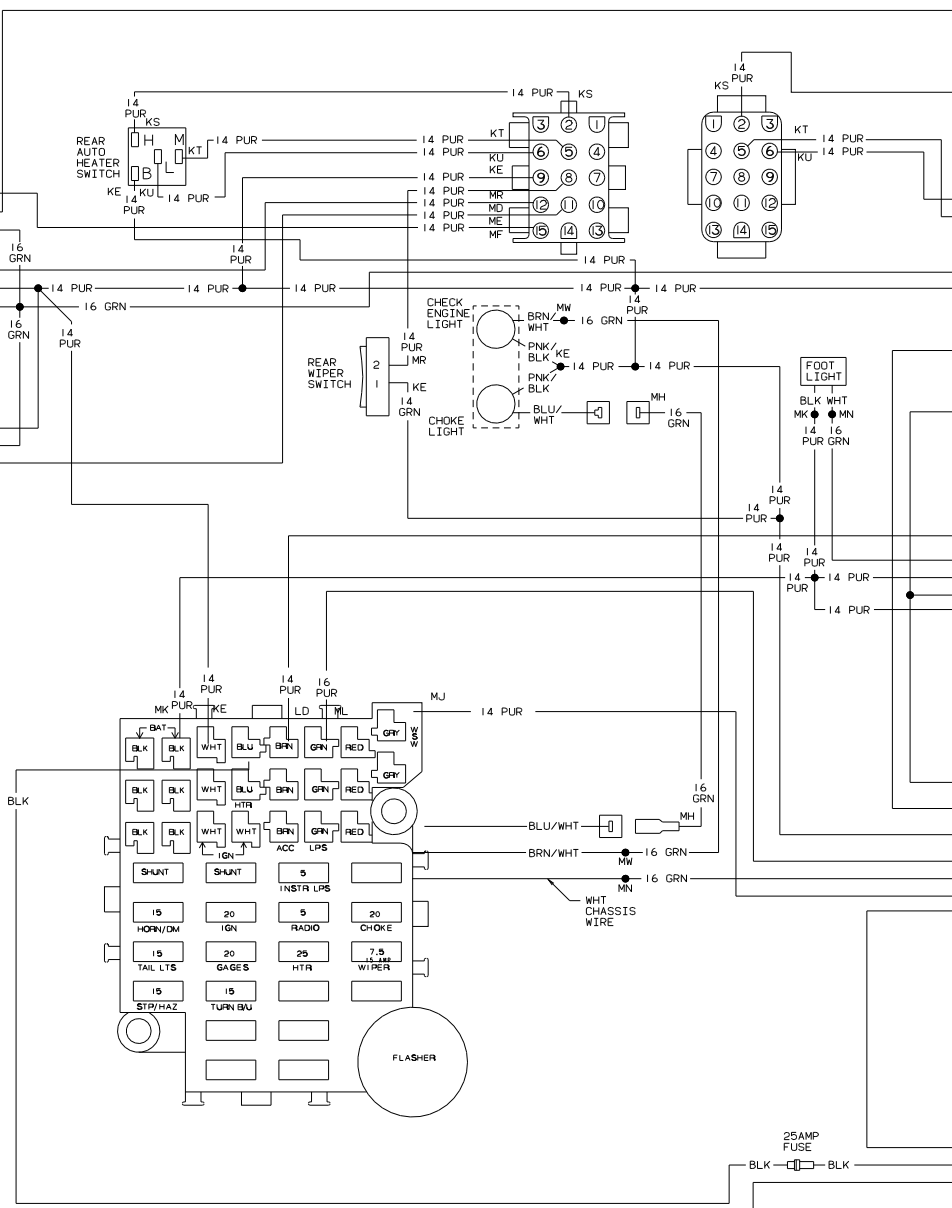
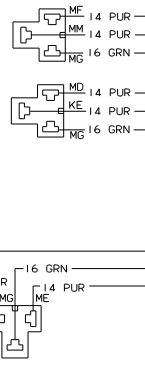
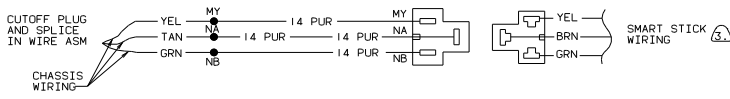


CHEVY

TITLE: WIRING DIAGRAM - AUTOMOTIVE		SHEET: 1 OF 1	
REF: 91301 1		DOC NO: 94904	

UNSPECIFIED TOLERANCES ARE MATERIAL.
 DIMS: UNLESS OTHERWISE SPECIFIED
 P & E: THIS DRAWING IS THE PROPERTY OF WINN-DIXIE STORES, INC.
 W&T: ALL DIMENSIONS ARE IN MILLIMETERS
 LAYOUT: ALL DIMENSIONS ARE IN MILLIMETERS



- NOTES:
- ④ NOT USED ON STANDARD DASH.
 - ⑤ NOT AVAILABLE ON ALL MODELS.
 - 4. SOME WIRES MAY TRAVEL THRU MORE THAN ONE WIRING ASSEMBLY.
 - ③ SEE MANUFACTURERS DIAGRAM FOR ADDITIONAL WIRING.
 - ② CABLE SUPPLIED WITH CHASSIS.
 - ① SEE WIRING DIAGRAM-BODY FOR EACH MODEL FOR ADDITIONAL WIRING.

