

**WINNEBAGO** '89 W/1CF27EU

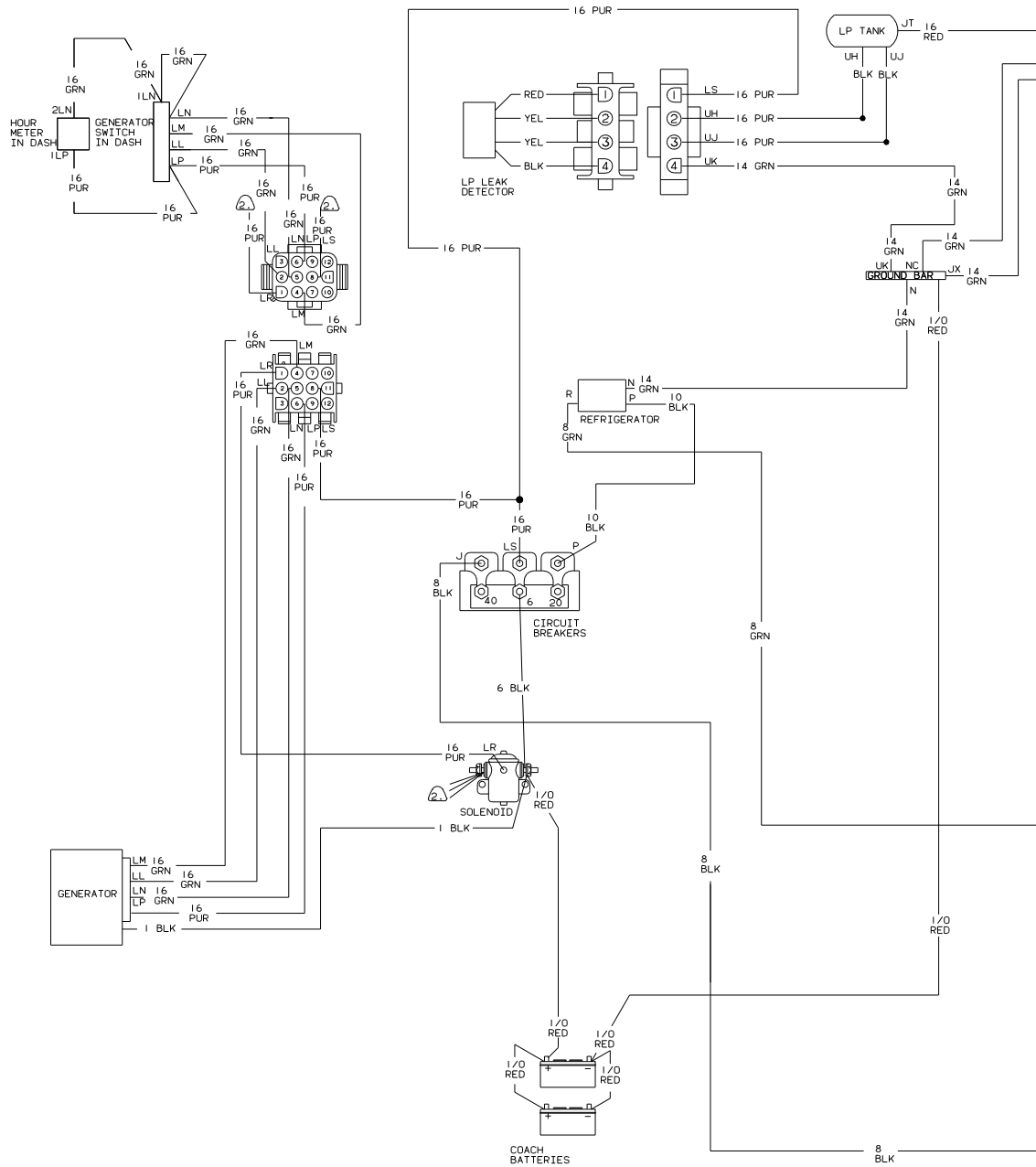
DPTH	UNSPECIFIED TOLERANCES ARE MATERIAL
COND	WALL DIM (N)
P/E	ONE-PHASE SUPPLY
W/E	THIRD ANGLE PROJECTION
COND	THIRD ANGLE PROJECTION
LAYOUT	NO

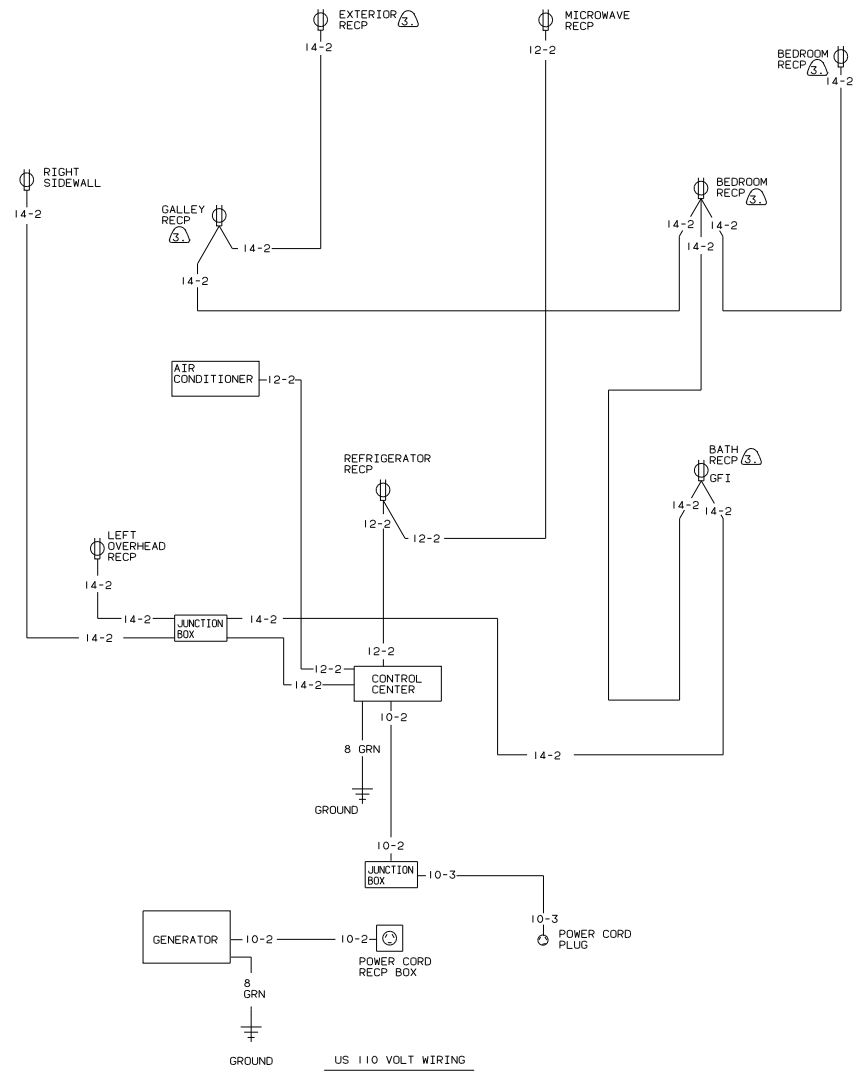
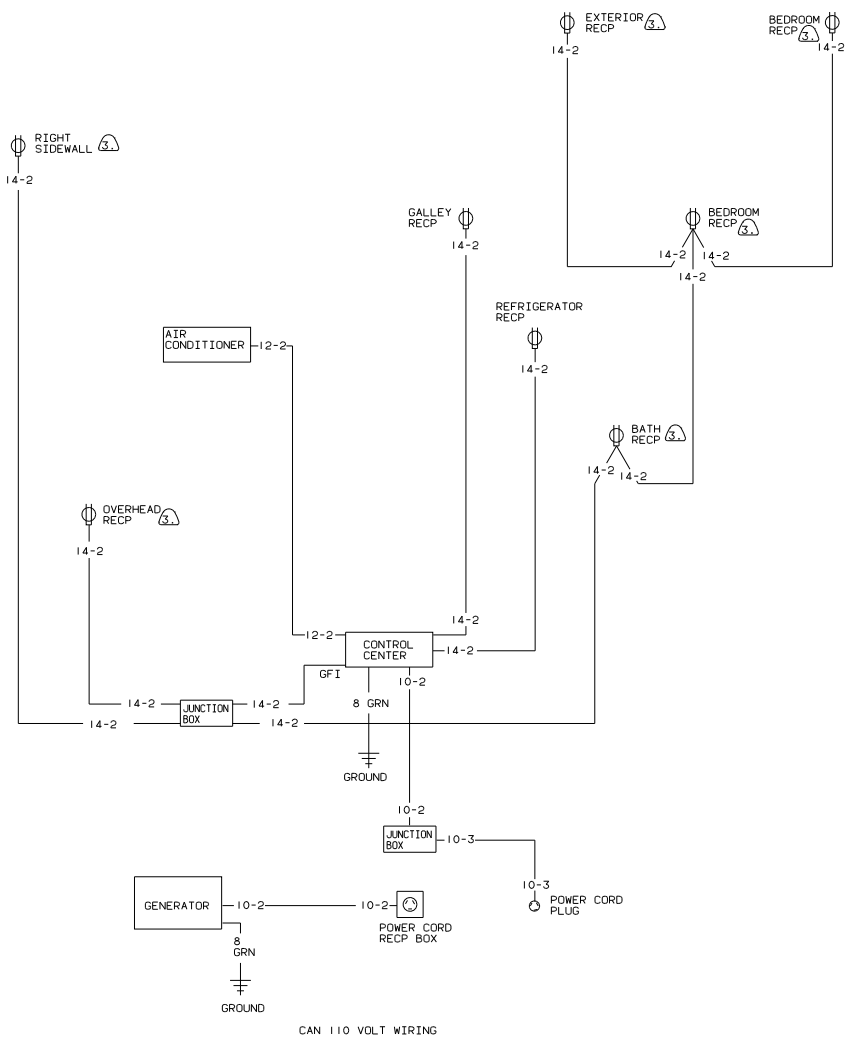
TITLE: **WIRING DIAGRAM-BODY**

WINNERS

DATE: 11/88  
 SCALE: NONE  
 ALL DIMENSIONS ARE IN MILLIMETERS SHEET 1 OF 2

NO. 94866





Ⓢ PROTECTED BY GROUND FAULT INTERRUPTER BREAKER.

2. SEE DRAWING 94904-01-000 WIRING DIAGRAM-AUTOMOTIVE FOR ADDITIONAL WIRING.

1. SEE DRAWING 84358-01-000 WIRING DIAGRAM-MONITOR PANEL FOR ADDITIONAL WIRING.

NOTES: