

- FILE 1930, W/NEW CIRCUIT BREAKERS.  
SUPPLIED WITH CHASSIS.
- BATTERY CABLE MUST BE INSTALLED TO STARTER MOTOR BEFORE ENGINE WIRING HARNESS AND ROUTED IN SUCH A MANNER AS TO PREVENT ANY POSSIBLE DEGRADATION FROM THE EXHAUST SYSTEM.
2. SECURE CONDUIT 4095-01-000 OVER ALL WIRES IN CONTACT WITH SHARP EDGES.
1. USE WIRE TIES 8343-01-000 AND CLAMPS 10497-01-000 WITH SCREW G11-10-24B APPROXIMATELY 610 ON CENTER.
- NOTE:

**WINNEBAGO**

DATE	DATE	DATE	DATE	DATE	DATE

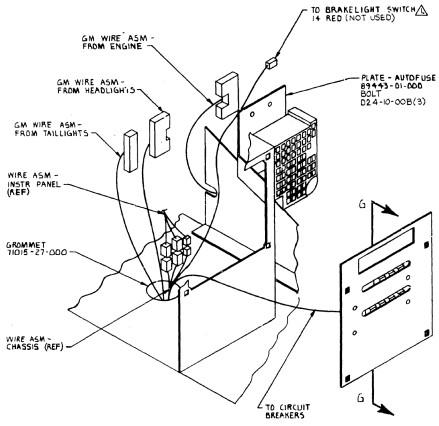
ALL DIMENSIONS AND FITS UNLESS OTHERWISE SPECIFIED ARE IN MILLIMETERS.

PROVIDER: CHASSIS/ENGINE

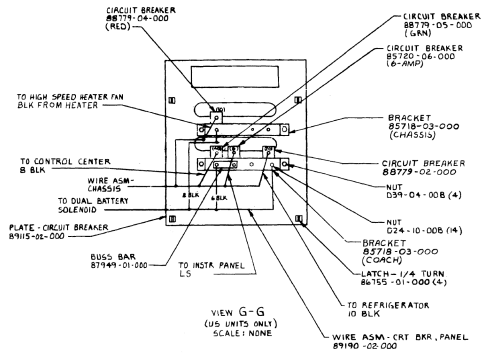
WIRING INSTALLATION - CHASSIS

REV. 1 11/89 89949

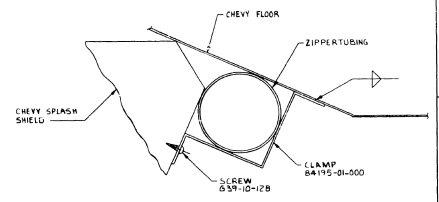
METRIC



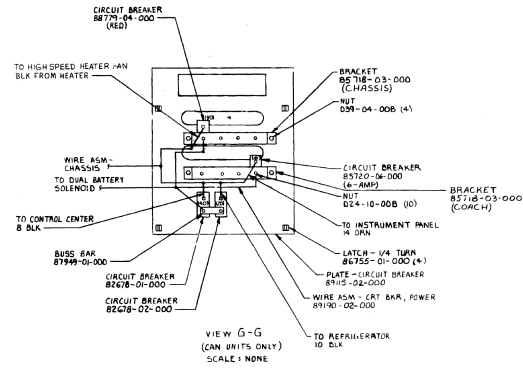
VIEW D-D  
SCALE: NONE  
(SOP)



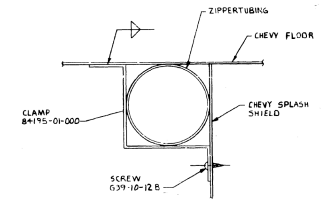
VIEW G-G  
(US UNITS ONLY)  
SCALE: NONE



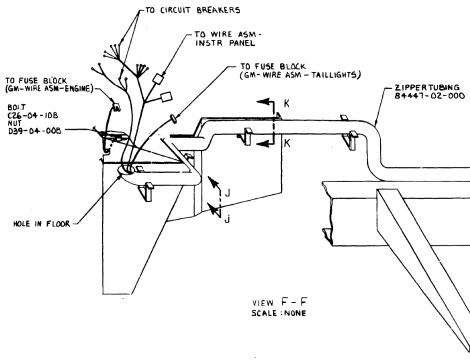
VIEW J-J  
SCALE: 1/1



VIEW G-G  
(CAN UNITS ONLY)  
SCALE: NONE



VIEW K-K  
SCALE: 1/1



VIEW F-F  
SCALE: NONE

NOTES:  
1. TAPE TO WIRE ASM WITH TAPE 8563-01-000 WHEN NOT USED.

WIRING INSTL - CHASSIS

89949

